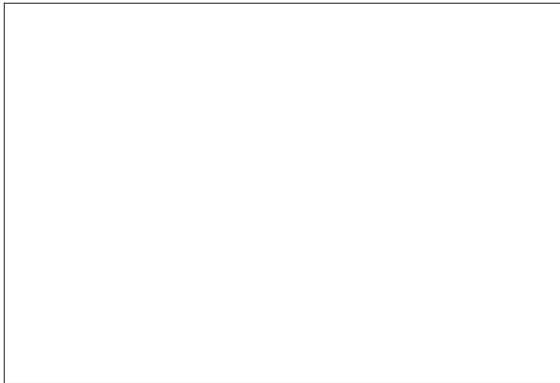


SMTC1-1200

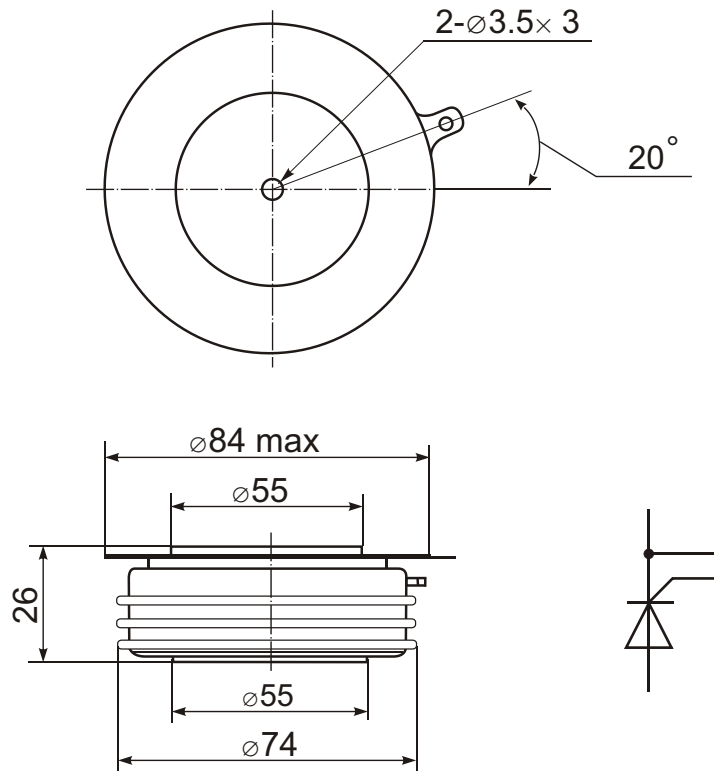


Phase Control Thyristor



| Type | V_{RSM} | V_{RRM} , V_{DRM} |
|---------------|-----------|--------------------------|
| SMTC1-1200-6 | 700 | 600 |
| SMTC1-1200-8 | 900 | 800 |
| SMTC1-1200-10 | 1100 | 1000 |
| SMTC1-1200-12 | 1300 | 1200 |
| SMTC1-1200-14 | 1500 | 1400 |
| SMTC1-1200-16 | 1700 | 1600 |

| Type | I_{TAVM} $T_c=55^\circ\text{C}$ | I_{TRMS} | I_{TSM} | $(di/dt)_{cr}$ | $(dv/dt)_{cr}$ | V_{TM} | I_{TM} | V_{TO} | r_T | t_q | V_{GT} | I_{GT} | T_{VJM} | R_{thJC} | F |
|------------|--------------------------------------|------------|-----------|------------------|------------------|----------|----------|----------|-----------|---------------|----------|----------|------------------|------------|----|
| | A | kA | kA | A/ μs | V/ μs | V | kA | V | $m\Omega$ | μs | V | mA | $^\circ\text{C}$ | K/W | kN |
| SMTC1-1200 | 1200 | 2.45 | 15 | 200 | 1000 | 1.7 | 3.0 | 0.95 | 0.22 | 400 | 2.5 | 250 | 125 | 0.020 | 30 |



Features:

- Hermetic metal case with ceramic insulator
- Capsule packages for double sided cooling
- International standard case
- Amplifying gates

Typical Applications:

- DC motor control
- AC motor soft starter
- Controlled rectifiers
- AC controllers