

SMTC1-3500

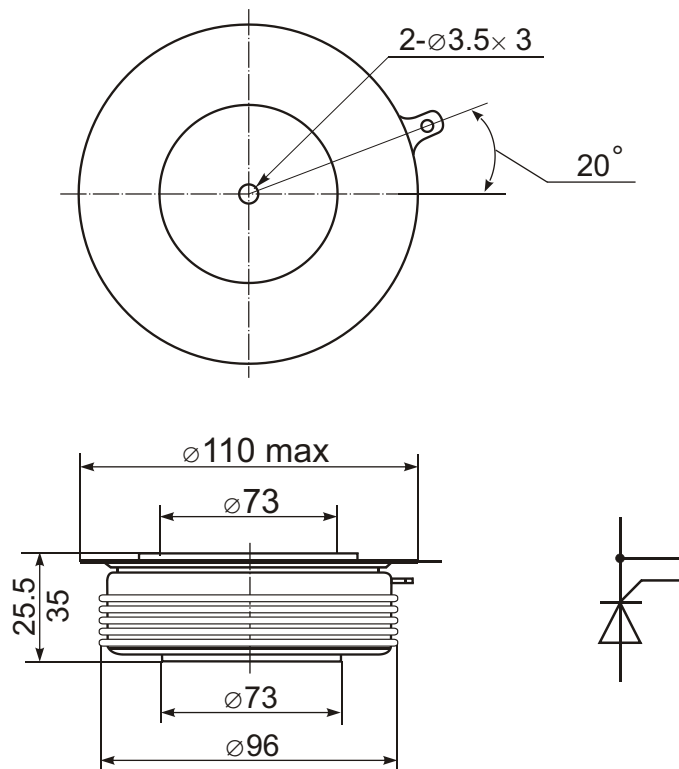


Phase Control Thyristor



| Type | V_{RSM} | V_{RRM} , V_{DRM} |
|---------------|-----------|--------------------------|
| SMTC1-3500-6 | 700 | 600 |
| SMTC1-3500-8 | 900 | 800 |
| SMTC1-3500-10 | 1100 | 1000 |
| SMTC1-3500-12 | 1300 | 1200 |
| SMTC1-3500-14 | 1500 | 1400 |
| SMTC1-3500-16 | 1700 | 1600 |

| Type | I_{TAVM} $T_c=55^\circ\text{C}$ | I_{TRMS} | I_{TSM} | $(di/dt)_{cr}$ | $(dv/dt)_{cr}$ | V_{TM} | I_{TM} | V_{TO} | r_T | t_q | V_{GT} | I_{GT} | T_{VJM} | R_{thJC} | F |
|------------|--------------------------------------|------------|-----------|------------------|------------------|----------|----------|----------|------------|---------------|----------|----------|------------------|------------|----|
| | A | kA | kA | A/ μs | V/ μs | V | kA | V | m Ω | μs | V | mA | $^\circ\text{C}$ | K/W | kN |
| SMTC1-3500 | 3500 | 6.8 | 44 | 300 | 1000 | 2.0 | 6.5 | 0.87 | 0.08 | 550 | 3.0 | 300 | 125 | 0.010 | 85 |



Features:

- Hermetic metal case with ceramic insulator
- Capsule packages for double sided cooling
- International standard case
- Amplifying gates

Typical Applications:

- DC motor control
- AC motor soft starter
- Controlled rectifiers
- AC controllers