

SMTC2-400

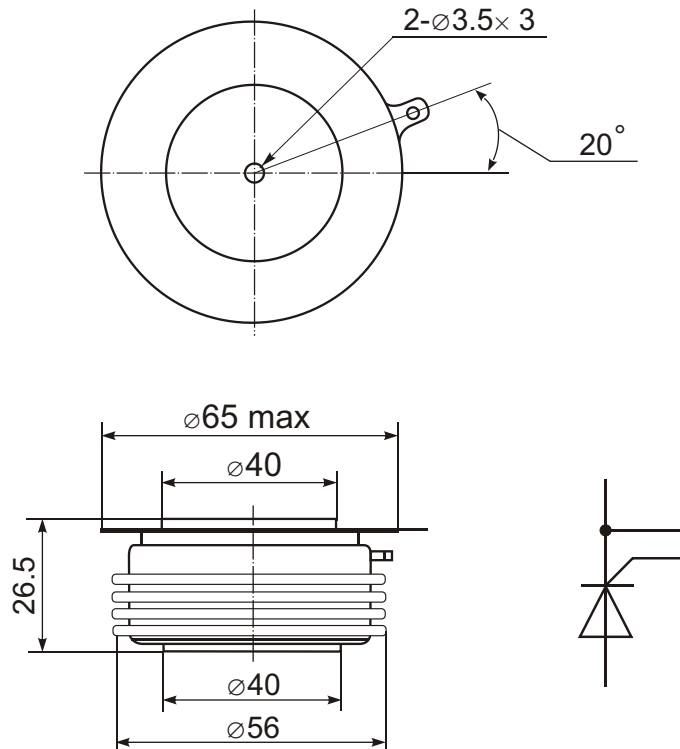


Phase Control Thyristor



Type	V_{RSM}	V_{RRM} , V_{DRM}
SMTC2-400-16	1700	1600
SMTC2-400-18	1900	1800
SMTC2-400-20	2100	2000
SMTC2-400-22	2300	2200

Type	I_{TAVM} $T_c=55^\circ\text{C}$	I_{TRMS}	I_{TSM}	$(di/dt)_{cr}$	$(dv/dt)_{cr}$	V_{TM}	I_{TM}	V_{TO}	r_T	t_q	V_{GT}	I_{GT}	T_{VJM}	R_{thJC}	F
	A	A	kA	A/ μs	V/ μs	V	kA	V	$m\Omega$	μs	V	mA	$^\circ\text{C}$	K/W	kN
SMTC2-400	400	700	4.0	200	1000	2.0	1.2	1.10	0.85	350	2.5	250	125	0.040	20



Features:

- Hermetic metal case with ceramic insulator
- Capsule packages for double sided cooling
- International standard case
- Amplifying gates

Typical Applications:

- DC motor control
- AC motor soft starter
- Controlled rectifiers
- AC controllers