

16.0-30.0 GHz GaAs MMIC Buffer Amplifier

June 2007 - Rev 12-Jun-07

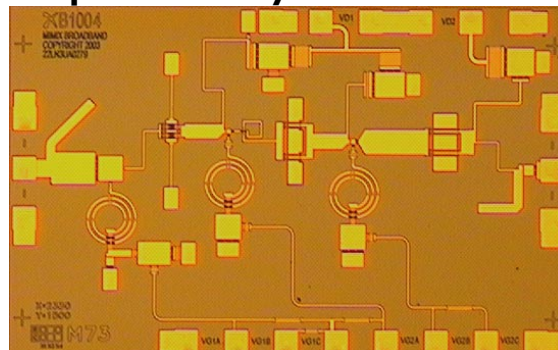
Features

- ✕ High Dynamic Range
- ✕ Excellent LO Driver/Buffer Amplifier
- ✕ Low Noise or Power Bias Configurations
- ✕ 21.0 dB Small Signal Gain
- ✕ 2.2 dB Noise Figure at Low Noise Bias
- ✕ +19.0 dBm P1dB Compression Point at Power Bias
- ✕ 100% On-Wafer RF, DC and Noise Figure Testing
- ✕ 100% Visual Inspection to MIL-STD-883 Method 2010

General Description

Mimix Broadband's three stage 16.0-30.0 GHz GaAs MMIC buffer amplifier has a small signal gain of 21.0 dB with a noise figure of 2.2 dB across the band. This MMIC uses Mimix Broadband's 0.15 μm GaAs PHEMT device model technology, and is based upon electron beam lithography to ensure high repeatability and uniformity. The chip has surface passivation to protect and provide a rugged part with backside via holes and gold metallization to allow either a conductive epoxy or eutectic solder die attach process. This device is well suited for Millimeter-wave Point-to-Point Radio, LMDS, SATCOM and VSAT applications.

Chip Device Layout



Absolute Maximum Ratings

Supply Voltage (Vd)	+6.5 VDC
Supply Current (Id)	200 mA
Gate Bias Voltage (Vg)	+0.3 VDC
Input Power (Pin)	+5 dBm
Storage Temperature (Tstg)	-65 to +165 °C
Operating Temperature (Ta)	-55 to MTTF Table ⁵
Channel Temperature (Tch)	MTTF Table ⁵

(5) Channel temperature affects a device's MTBF. It is recommended to keep channel temperature as low as possible for maximum life.

Electrical Characteristics (Ambient Temperature T = 25 °C)

Parameter	Units	Min.	Typ.	Max.
Frequency Range (f)	GHz	16.0	-	30.0
Input Return Loss (S11) ³	dB	6.0	14.0	-
Output Return Loss (S22) ³	dB	10.0	14.0	-
Small Signal Gain (S21) ³	dB	18.0	21.0	24.0
Gain Flatness (Δ S21)	dB	-	+/-1.0	-
Reverse Isolation (S12) ³	dB	40.0	50.0	-
Noise Figure (NF) ⁴	dB	-	2.2	3.0
Output Power for 1 dB Compression (P1dB) ^{1,2,3}	dBm	-	+19.0	-
Output Third Order Intercept Point (OIP3) ^{1,2,3}	dBm	-	+29.0	-
Saturated Output Power (Psat) ^{1,2,3}	dBm	-	+22.0	-
Drain Bias Voltage (Vd1,2)	VDC	-	+4.0	+6.0
Gate Bias Voltage (Vg1c,2c)	VDC	-1.2	-0.3	+0.1
Supply Current (Id) (Vd=4.0V, Vg=-0.3V Typical)	mA	-	90	180

(1) Optional low noise bias Vd1,2=4.0V, Id=90mA will typically yield 3-4dB decreased P1dB and OIP3.

(2) Measured using constant current.

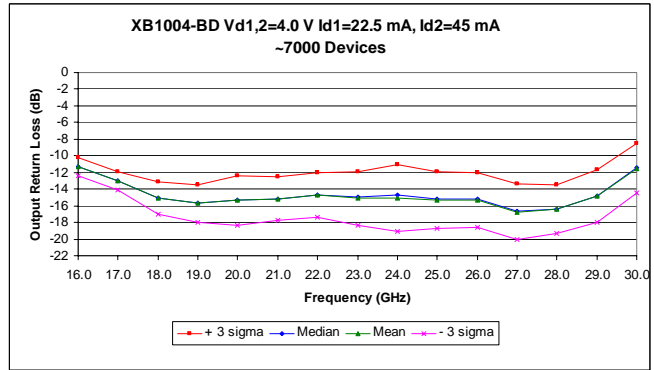
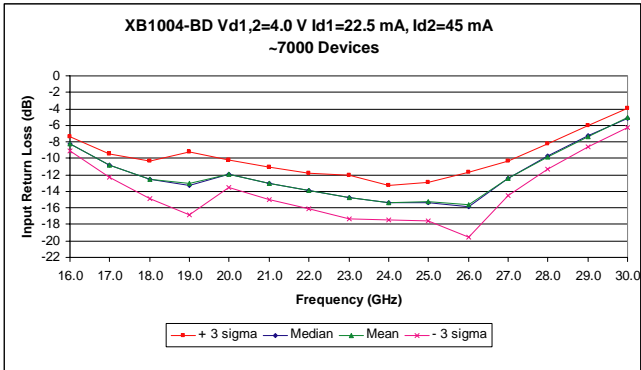
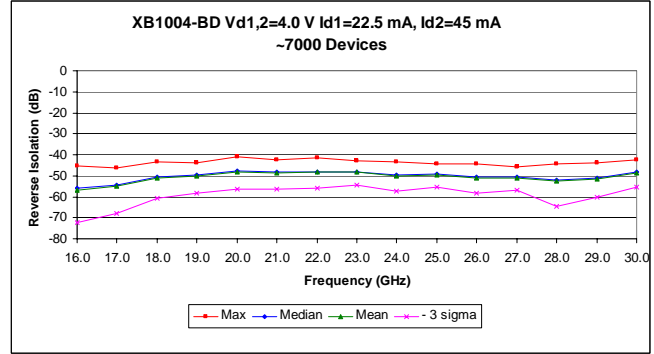
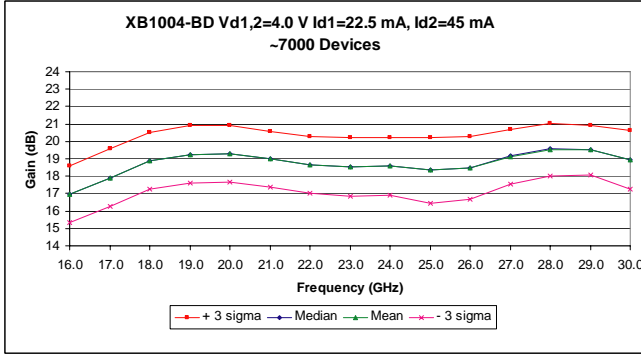
(3) Unless otherwise indicated Min/Max over 17.0-28.0 GHz and biased at Vd=6.0V, Id1=90mA, Id2=90mA.

(4) Unless otherwise indicated Min/Max over 17.0-28.0 GHz and biased at Vd=4.0V, Id1=45mA, Id2=45mA.

16.0-30.0 GHz GaAs MMIC Buffer Amplifier

June 2007 - Rev 12-Jun-07

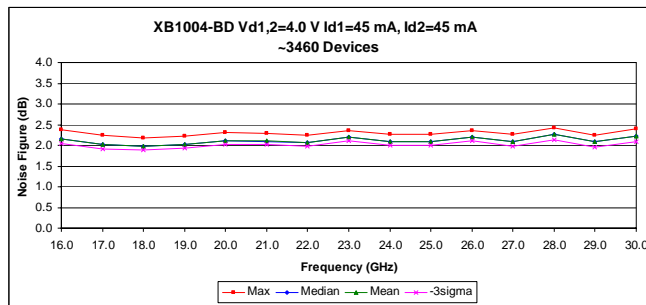
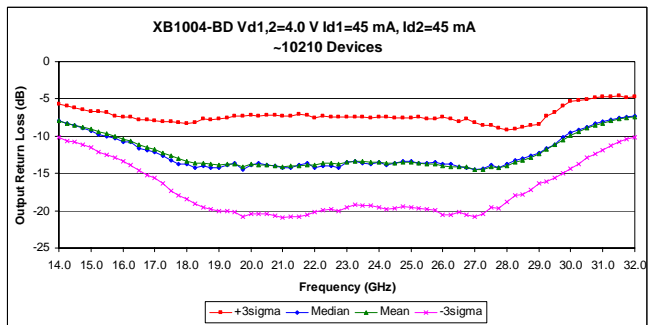
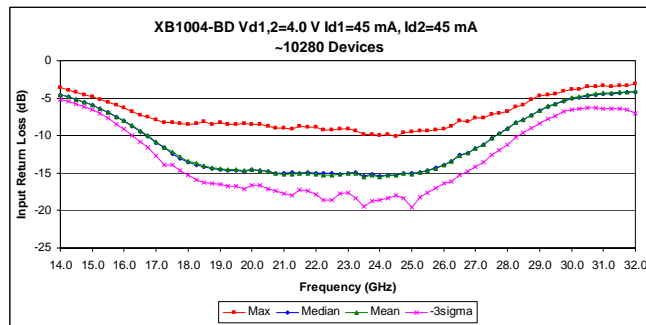
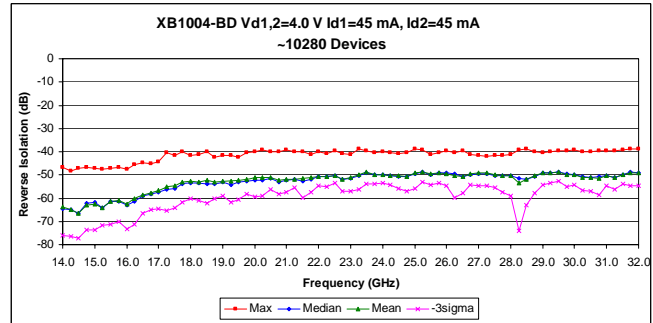
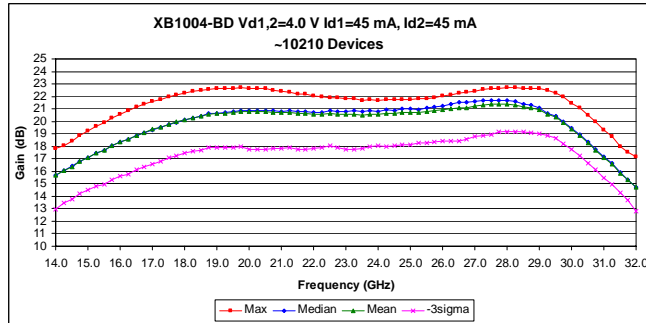
Buffer Amplifier Measurements



16.0-30.0 GHz GaAs MMIC Buffer Amplifier

June 2007 - Rev 12-Jun-07

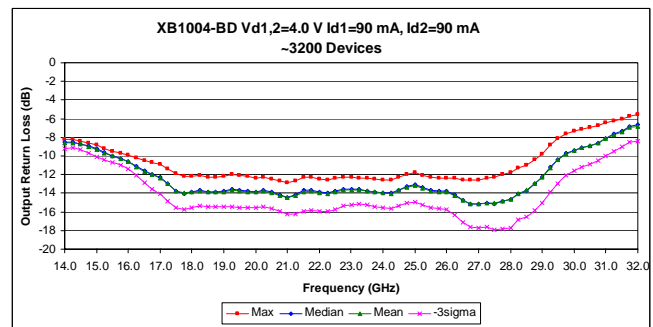
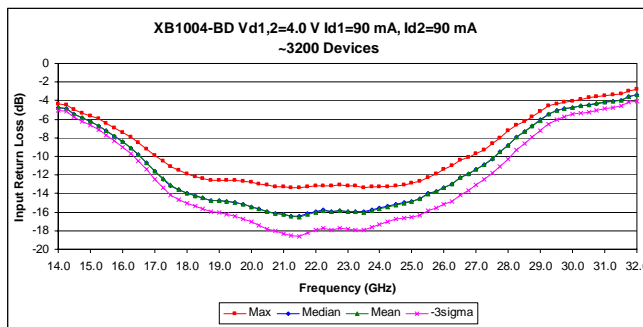
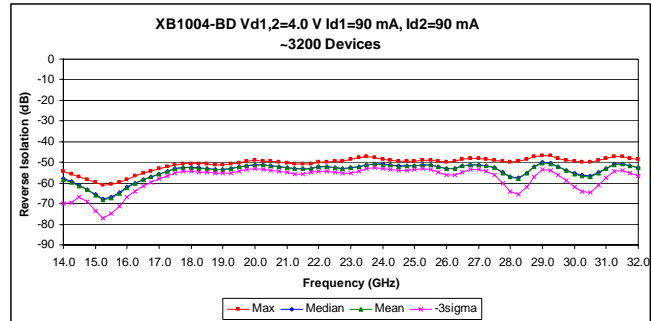
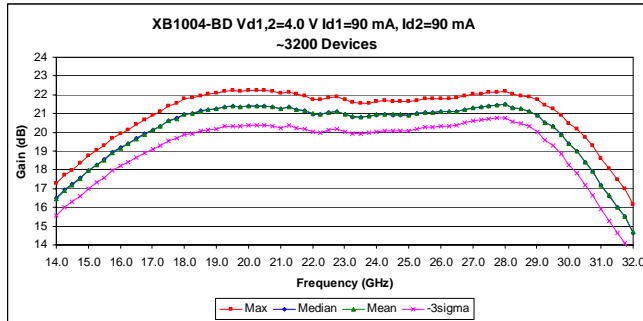
Buffer Amplifier Measurements (cont.)



16.0-30.0 GHz GaAs MMIC Buffer Amplifier

June 2007 - Rev 12-Jun-07

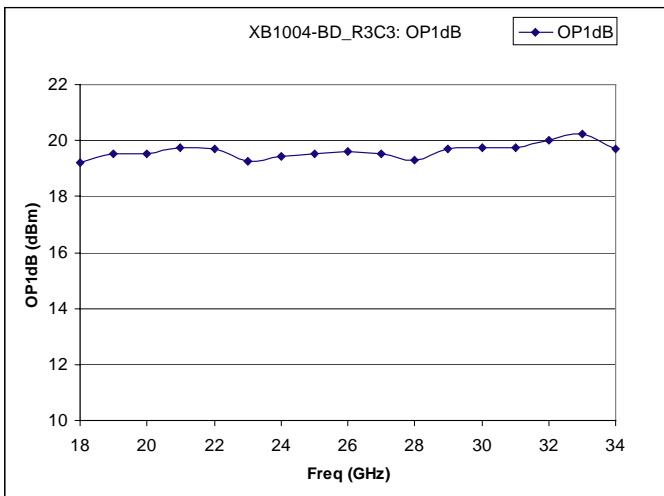
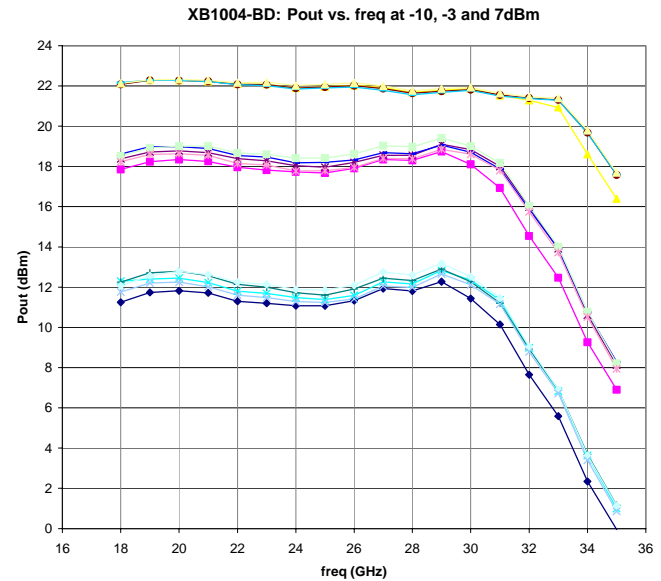
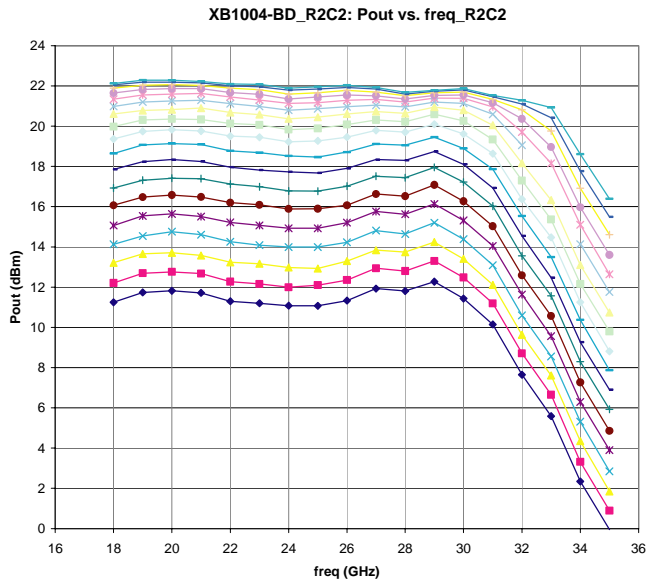
Buffer Amplifier Measurements (cont.)



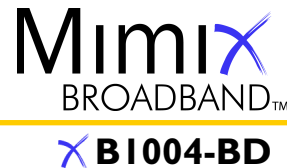
16.0-30.0 GHz GaAs MMIC Buffer Amplifier

June 2007 - Rev 12-Jun-07

Buffer Amplifier Measurements at Power Bias



16.0-30.0 GHz GaAs MMIC Buffer Amplifier



June 2007 - Rev 12-Jun-07

S-Parameters

Typical S-Parameter Data for XB1004-BD
Vd=4 V Id1=45 mA Id2=45 mA

Frequency (GHz)	S11 Mag dB	S11 Phase Ang°	S12 Mag dB	S12 Phase Ang°	S21 Mag dB	S21 Phase Ang°	S22 Mag dB	S22 Phase Ang°
14.00	-4.488006386	160.3477	-65.20547853	97.9597	15.91141774	80.4131	-7.961292105	156.364
14.25	-4.780466353	156.7746	-65.04914525	130.745	16.26308988	72.75384	-8.307793633	81.76258
14.50	-5.090069626	153.2923	-66.83487195	144.4173	16.58581284	66.05664	-8.516462366	17.58182
14.75	-5.515642302	149.3398	-62.82813364	145.9903	16.96448878	58.3271	-8.817693057	-60.40213
15.00	-5.908319039	146.0351	-62.15152842	140.1351	17.27640243	51.4296	-9.116250938	-125.5226
15.25	-6.36492729	142.3947	-63.79403343	139.2024	17.6306096	43.16068	-9.490746359	152.1885
15.50	-6.835321917	139.2067	-61.55571655	135.3048	17.89655959	36.43289	-9.758978333	91.87538
15.75	-7.443645645	135.8314	-61.61834811	136.4185	18.23731044	27.96522	-10.0850734	15.17566
16.00	-7.954014568	133.451	-62.87801498	130.6166	18.53392439	21.13839	-10.44926621	-49.12296
16.25	-8.613494027	130.5553	-60.97586254	155.2967	18.79434566	12.62619	-10.70325156	-126.3388
16.50	-9.351339718	128.5114	-59.08234194	149.3536	19.06419509	4.264312	-11.23343585	150.939
16.75	-9.938284456	126.7418	-58.07570032	153.9659	19.2955573	-2.923985	-11.49338288	89.83047
17.00	-10.72781907	125.6761	-57.10236855	145.1132	19.55954352	-11.07268	-11.84807057	15.57915
17.25	-11.45757287	125.1995	-55.63348472	146.4742	19.73877049	-18.24617	-12.26263506	-47.66284
17.50	-12.10581429	125.4995	-55.25927565	142.45	19.96235376	-27.11272	-12.70872047	-123.7843
17.75	-12.78314466	126.4037	-53.62911008	137.6782	20.12122686	-33.96728	-13.08797618	167.1598
18.00	-13.40563631	128.1031	-53.49785092	126.705	20.31749415	-42.63926	-13.38602103	94.69427
18.25	-13.76917019	130.3096	-53.59193789	118.0486	20.45549686	-50.03904	-13.55092416	35.52287
18.50	-14.12698	132.3081	-53.18089883	118.702	20.58039147	-58.52836	-13.66587745	-40.1016
18.75	-14.48203359	134.6221	-53.36091684	115.3193	20.75502996	-67.11792	-13.7915767	-115.0743
19.00	-14.55165735	136.2222	-52.97969443	109.4043	20.80511699	-74.15998	-13.84992904	44.88443
19.25	-14.63942028	136.5078	-53.42822181	101.9631	20.86890808	-82.84879	-13.7461338	102.1477
19.50	-14.68157629	137.3111	-53.1769237	103.6469	20.93192687	-89.86997	-13.75692934	41.94405
19.75	-14.74099805	139.6776	-52.39693469	104.5834	20.97333211	-97.89622	-14.05814122	-33.67156
20.00	-14.51000349	138.8338	-51.49852234	95.15817	20.98201169	-105.3744	-13.81447312	-96.83292
20.25	-14.62534716	138.1341	-51.66603657	96.65334	20.98524967	-113.0653	-13.90279702	-168.5283
20.50	-14.70616526	136.6651	-51.38333793	82.06539	20.99616315	-120.2752	-13.77821296	120.4647
20.75	-14.90553527	136.5904	-52.71399942	82.86057	20.96910204	-128.1374	-13.92470348	44.1559
21.00	-15.02357419	135.813	-52.10524654	79.37607	20.89622002	-135.913	-14.0619026	-31.24287
21.25	-15.05015808	135.6739	-52.02010887	76.92526	20.91884446	-142.6171	-14.0289345	-93.15093
21.50	-15.10655145	134.7054	-52.22623499	71.78536	20.84428402	-150.0642	-13.99375336	-166.7917
21.75	-14.98337453	135.7253	-51.58492383	80.65435	20.84540286	-156.16	-13.93191213	126.4174
22.00	-15.0534118	132.4365	-50.65432343	70.29443	20.79089267	-163.8192	-13.80462928	50.23223
22.25	-15.18069607	130.7094	-51.01217322	64.31312	20.77090997	-169.6259	-13.66911466	-14.48867
22.50	-15.12574012	129.0565	-50.0589988	56.86007	20.8603409	-170.5688	-13.58380875	-91.78304
22.75	-15.08626965	128.2232	-51.74807807	55.47022	20.81792882	-172.9285	-13.7221915	-152.1783
23.00	-14.99602393	124.8725	-51.13032313	53.64964	20.80876731	-168.9904	-13.53672031	126.3781
23.25	-14.8537183	120.3659	-50.17404016	57.88192	20.8115805	-161.4748	-13.32979145	51.83643
23.50	-15.36344283	116.3281	-49.045145	43.18889	20.73456942	-155.6715	-13.35741826	-14.95574
23.75	-15.0946598	115.1304	-49.85819483	43.34335	20.81239514	-148.4648	-13.40357247	-90.19309
24.00	-15.39735257	112.4639	-49.72499596	32.64002	20.75503497	-142.5701	-13.4656704	-152.0927
24.25	-15.13095054	109.5295	-50.13093024	30.30852	20.83643776	-135.1379	-13.55071132	126.8156
24.50	-15.1744339	106.0131	-50.20715943	25.31852	20.83040005	-129.3736	-13.65003675	62.67419
24.75	-14.87939547	100.8113	-50.50249522	26.3597	20.89856238	-121.75	-13.52521517	-12.75818
25.00	-14.90477717	96.33096	-49.57066959	21.51729	20.90054564	-115.4541	-13.5387876	-76.76747
25.25	-14.67738998	91.03966	-48.74758629	21.70694	20.89195512	-108.3276	-13.57528524	-150.5746
25.50	-14.38830456	87.22176	-49.67421973	8.14969	20.99917398	-101.1408	-13.72233378	127.6319
25.75	-14.13837685	81.97481	-48.96714338	5.585327	21.04299246	-94.48246	-13.85032041	64.45851
26.00	-13.68285147	75.85893	-49.1836183	-3.681355	21.12871511	-87.0444	-14.05533839	-10.21604
26.25	-13.22837385	70.50666	-50.06582294	-14.11971	21.257216	-80.46708	-14.16774214	-72.27026
26.50	-12.44232727	62.4766	-50.54932781	-23.09788	21.34178196	-71.82767	-14.09760141	-142.9784
26.75	-12.1231902	55.19888	-49.5366484	-9.982013	21.34760323	-65.34277	-14.12675521	142.8106
27.00	-11.51541544	48.33369	-49.01919565	-31.26795	21.48924461	-56.8985	-14.44884399	72.33661
27.25	-10.95899259	42.02633	-49.27235222	-36.02533	21.51576377	-49.67164	-14.46870091	12.9942
27.50	-10.17930299	33.51711	-49.83416656	-45.60722	21.56439576	-40.38253	-14.03623103	-61.09192
27.75	-9.486668382	24.41982	-50.21434656	-51.82261	21.54985487	-31.15906	-14.18198677	-136.7268
28.00	-8.86384684	18.61195	-49.92261375	-63.95271	21.58096768	-23.28123	-13.83955787	155.505
28.25	-8.082733695	9.647546	-52.65291204	-77.20475	21.5193103	-13.39679	-13.31467582	84.48412
28.50	-7.684183764	1.679874	-52.09575618	-69.46488	21.34695902	-5.231442	-13.13934105	24.31771
28.75	-7.134292488	-5.842427	-50.43673429	-76.09734	21.24451683	-4.82478	-12.71549435	-46.76101
29.00	-6.52197965	-12.848	-48.94679421	-89.84153	21.06557481	-13.77886	-12.1811325	-110.1438
29.25	-5.998240777	-22.03921	-49.27311546	-105.3236	20.72026144	-23.99692	-11.4541009	164.9588
29.50	-5.644587238	-28.6075	-48.72771039	-119.9739	20.41443603	-32.80532	-10.89193703	104.8088
29.75	-5.279533438	-37.44137	-49.74170856	-140.7835	19.94991228	-42.83006	-10.21068599	29.38953
30.00	-4.941451463	-44.89988	-49.85115212	-150.2209	19.44888726	-52.45927	-9.57521062	-48.08296
30.25	-4.825257403	-51.70079	-51.02755692	-151.5981	18.89354455	-60.66542	-9.177802992	-114.5268
30.50	-4.615118041	-58.4916	-51.29842096	-154.4575	18.30012391	-69.80401	-8.690316302	159.8694
30.75	-4.44721087	-63.4305	-51.03586887	-157.2381	17.75344043	-76.78794	-8.348029064	96.70776
31.00	-4.355991672	-69.75317	-50.4634257	-157.4598	17.08638984	-85.54248	-7.999071087	20.62207
31.25	-4.322415263	-74.47208	-51.17707418	-159.6716	16.58920074	-92.28	-7.750419231	-45.304
31.50	-4.206464968	-79.78357	-49.76725044	-156.0792	15.83669567	-100.0134	-7.49742569	-124.8377
31.75	-4.173257655	-83.59286	-49.13513642	-141.7404	15.33144978	-106.2723	-7.376597896	-163.0723
32.00	-4.143739107	-88.26109	-49.28087624	-132.9657	14.71038311	-112.2931	-7.215566664	87.67538

Mimix Broadband, Inc., 10795 Rockley Rd., Houston, Texas 77099
Tel: 281.988.4600 Fax: 281.988.4615 mimixbroadband.com

Page 6 of 10

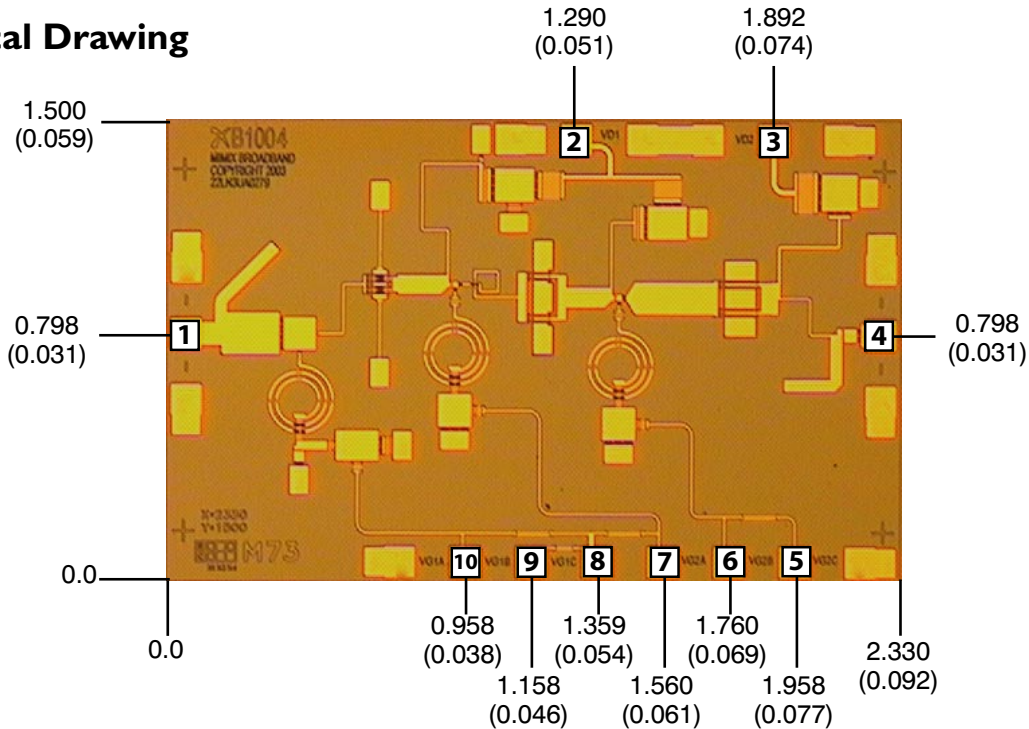
Characteristic Data and Specifications are subject to change without notice. ©2007 Mimix Broadband, Inc.
Export of this item may require appropriate export licensing from the U.S. Government. In purchasing these parts, U.S. Domestic customers accept their obligation to be compliant with U.S. Export Laws.

16.0-30.0 GHz GaAs MMIC Buffer Amplifier

June 2007 - Rev 12-Jun-07

X B1004-BD

Mechanical Drawing

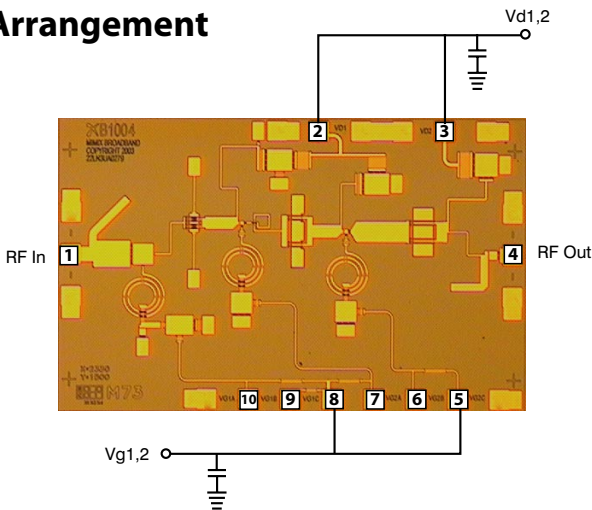


(Note: Engineering designator is 22LN3UA0279)

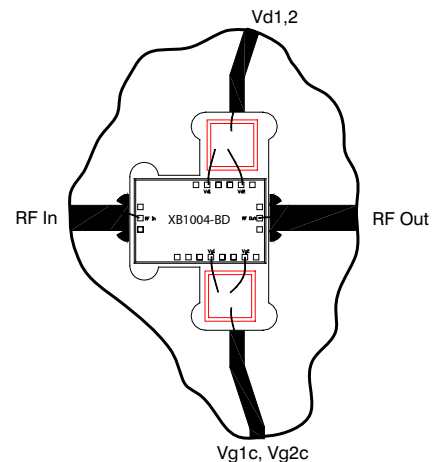
Units: millimeters (inches) Bond pad dimensions are shown to center of bond pad.
 Thickness: 0.110 +/- 0.010 (0.0043 +/- 0.0004), Backside is ground, Bond Pad/Backside Metallization: Gold
 All Bond Pads are 0.100 x 0.100 (0.004 x 0.004).
 Bond pad centers are approximately 0.109 (0.004) from the edge of the chip.
 Dicing tolerance: +/- 0.005 (+/- 0.0002). Approximate weight: 2.165 mg.

Bond Pad #1 (RF In)	Bond Pad #3 (Vd2)	Bond Pad #5 (Vg2c)	Bond Pad #7 (Vg2a)	Bond Pad #9 (Vg1b)
Bond Pad #2 (Vd1)	Bond Pad #4 (RF Out)	Bond Pad #6 (Vg2b)	Bond Pad #8 (Vg1c)	Bond Pad #10 (Vg1a)

Bias Arrangement



Bypass Capacitors - See App Note [2]



16.0-30.0 GHz GaAs MMIC Buffer Amplifier



June 2007 - Rev 12-Jun-07

App Note [1] Biasing - As shown in the bonding diagram, this device can be operated with all three stages in parallel, and can be biased for low noise performance or high power performance. Low noise bias is nominally $V_d=4V, I_d=90mA$. More controlled performance will be obtained by separately biasing V_{d1} and V_{d2} each at $4.0V, 45mA$. Power bias may be as high as $V_d=6.0V, I_d=180mA$ with all stages in parallel, or most controlled performance will be obtained by separately biasing V_{d1} and V_{d2} each at $6.0V, 90mA$. It is also recommended to use active biasing to keep the currents constant as the RF power and temperature vary; this gives the most reproducible results. Depending on the supply voltage available and the power dissipation constraints, the bias circuit may be a single transistor or a low power operational amplifier, with a low value resistor in series with the drain supply used to sense the current. The gate of the pHEMT is controlled to maintain correct drain current and thus drain voltage. The typical gate voltage needed to do this is $-0.3V$. Typically the gate is protected with Silicon diodes to limit the applied voltage. Also, make sure to sequence the applied voltage to ensure negative gate bias is available before applying the positive drain supply.

App Note [2] Bias Arrangement -

For Parallel Stage Bias (Recommended for general applications) -- The same as Individual Stage Bias but all the drain or gate pad DC bypass capacitors ($\sim 100-200$ pf) can be combined. The suggested configuration is to connect $V_{d1,2}$ and $V_{g1c,2c}$. Additional DC bypass capacitance (~ 0.01 uF) is also recommended to all DC or combination (if gate or drains are tied together) of DC bias pads.

For Individual Stage Bias (Low Input Drive applications only) -- Each DC pad ($V_{d1,2}$ and $V_{g1a,2a,2b}$) needs to have DC bypass capacitance ($\sim 100-200$ pf) as close to the device as possible. Additional DC bypass capacitance (~ 0.01 uF) is also recommended.

For Individual Stage Bias (High Input Drive applications only) -- Each DC pad ($V_{d1,2}$ and $V_{g1c,2c}$) needs to have DC bypass capacitance ($\sim 100-200$ pf) as close to the device as possible. Additional DC bypass capacitance (~ 0.01 uF) is also recommended.

MTTF Tables

These numbers were calculated based on accelerated life test information and thermal model analysis received from the fabricating foundry.

Backplate Temperature	Channel Temperature	Rth	MTTF Hours	FITs
55 deg Celsius	83.4 deg Celsius	78.8° C/W	5.36E+10	1.87E-02
75 deg Celsius	105.5 deg Celsius	84.7° C/W	3.52E+09	2.84E-01
95 deg Celsius	127.4 deg Celsius	90.0° C/W	3.20E+08	3.13E+00

Bias Conditions: $V_{d1}=V_{d2}=4.0V, I_{d1}=45$ mA, $I_{d2}=45$ mA

Backplate Temperature	Channel Temperature	Rth	MTTF Hours	FITs
55 deg Celsius	108.3 deg Celsius	76.1° C/W	2.56E+09	3.91E-01
75 deg Celsius	132.1 deg Celsius	81.5° C/W	1.99E+08	5.04E+00
95 deg Celsius	155.5 deg Celsius	86.4° C/W	2.12E+07	4.72E+01

Bias Conditions: $V_{d1}=V_{d2}=5.0V, I_{d1}=70$ mA, $I_{d2}=70$ mA

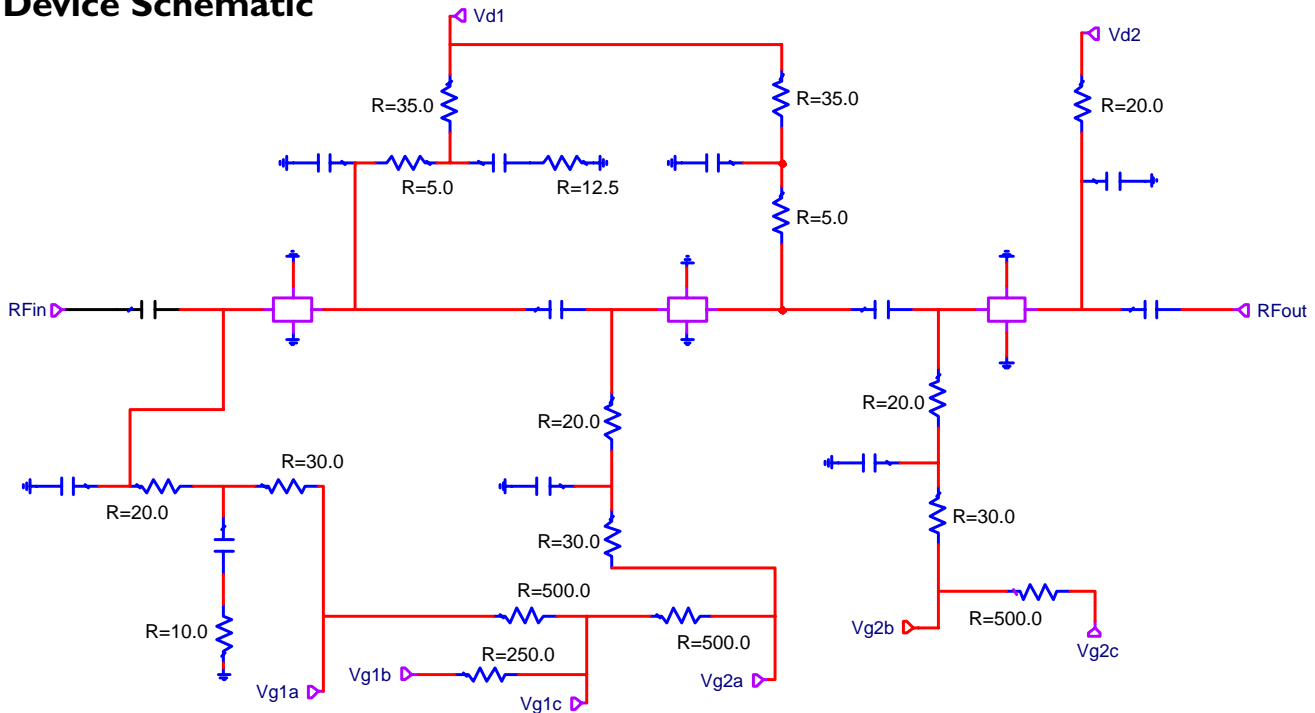
Backplate Temperature	Channel Temperature	Rth	MTTF Hours	FITs
55 deg Celsius	138.1 deg Celsius	77.0° C/W	1.08E+08	9.22E+00
75 deg Celsius	163.7 deg Celsius	82.1° C/W	1.02E+07	9.82E+01
95 deg Celsius	188.8 deg Celsius	86.8° C/W	1.29E+06	7.73E+02

Bias Conditions: $V_{d1}=V_{d2}=6.0V, I_{d1}=90$ mA, $I_{d2}=90$ mA

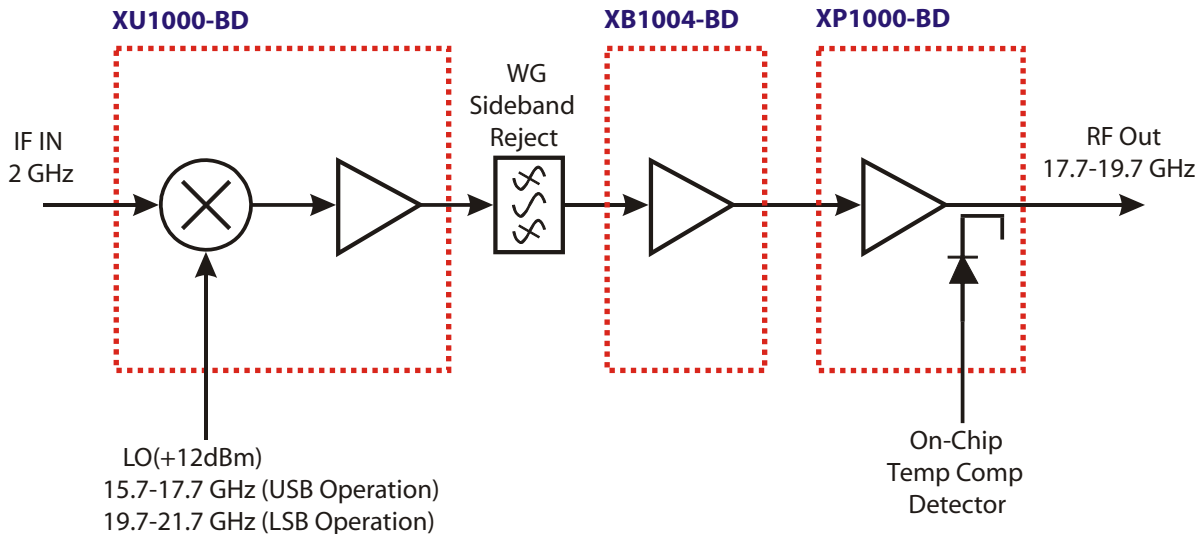
16.0-30.0 GHz GaAs MMIC Buffer Amplifier

June 2007 - Rev 12-Jun-07

Device Schematic



Typical Application



Mimix Broadband MMIC-based 17.0-27.0 GHz Transmitter Block Diagram

(Changing LO and IF frequencies as required allows design to operate as high as 27 GHz)

16.0-30.0 GHz GaAs MMIC Buffer Amplifier

June 2007 - Rev 12-Jun-07

Handling and Assembly Information

CAUTION! - Mimix Broadband MMIC Products contain gallium arsenide (GaAs) which can be hazardous to the human body and the environment. For safety, observe the following procedures:

- *Do not ingest.*
- *Do not alter the form of this product into a gas, powder, or liquid through burning, crushing, or chemical processing as these by-products are dangerous to the human body if inhaled, ingested, or swallowed.*
- *Observe government laws and company regulations when discarding this product. This product must be discarded in accordance with methods specified by applicable hazardous waste procedures.*

Life Support Policy - Mimix Broadband's products are not authorized for use as critical components in life support devices or systems without the express written approval of the President and General Counsel of Mimix Broadband. As used herein: (1) Life support devices or systems are devices or systems which, (a) are intended for surgical implant into the body, or (b) support or sustain life, and whose failure to perform when properly used in accordance with instructions for use provided in the labeling, can be reasonably expected to result in a significant injury to the user. (2) A critical component is any component of a life support device or system whose failure to perform can be reasonably expected to cause the failure of the life support device or system, or to affect its safety or effectiveness.

ESD - Gallium Arsenide (GaAs) devices are susceptible to electrostatic and mechanical damage. Die are supplied in antistatic containers, which should be opened in cleanroom conditions at an appropriately grounded anti-static workstation. Devices need careful handling using correctly designed collets, vacuum pickups or, with care, sharp tweezers.

Die Attachment - GaAs Products from Mimix Broadband are 0.100 mm (0.004") thick and have vias through to the backside to enable grounding to the circuit. Microstrip substrates should be brought as close to the die as possible. The mounting surface should be clean and flat. If using conductive epoxy, recommended epoxies are Tanaka TS3332LD, Die Mat DM6030HK or DM6030HK-Pt cured in a nitrogen atmosphere per manufacturer's cure schedule. Apply epoxy sparingly to avoid getting any on to the top surface of the die. An epoxy fillet should be visible around the total die periphery. For additional information please see the Mimix "Epoxy Specifications for Bare Die" application note. If eutectic mounting is preferred, then a fluxless gold-tin (AuSn) preform, approximately 0.001² thick, placed between the die and the attachment surface should be used. A die bonder that utilizes a heated collet and provides scrubbing action to ensure total wetting to prevent void formation in a nitrogen atmosphere is recommended. The gold-tin eutectic (80% Au 20% Sn) has a melting point of approximately 280 °C (Note: Gold Germanium should be avoided). The work station temperature should be 310 °C +/- 10 °C. Exposure to these extreme temperatures should be kept to minimum. The collet should be heated, and the die pre-heated to avoid excessive thermal shock. Avoidance of air bridges and force impact are critical during placement.

Wire Bonding - Windows in the surface passivation above the bond pads are provided to allow wire bonding to the die's gold bond pads. The recommended wire bonding procedure uses 0.076 mm x 0.013 mm (0.003" x 0.0005") 99.99% pure gold ribbon with 0.5-2% elongation to minimize RF port bond inductance. Gold 0.025 mm (0.001") diameter wedge or ball bonds are acceptable for DC Bias connections. Aluminum wire should be avoided. Thermo-compression bonding is recommended though thermosonic bonding may be used providing the ultrasonic content of the bond is minimized. Bond force, time and ultrasonics are all critical parameters. Bonds should be made from the bond pads on the die to the package or substrate. All bonds should be as short as possible.

Ordering Information

Part Number for Ordering	Description
XB1004-BD-000V	Where "V" is RoHS compliant die packed in vacuum release gel paks
XB1004-BD-000W	Where "W" is RoHS compliant die packed in waffle trays
XB1004-BD-EV1	XB1004 die evaluation module