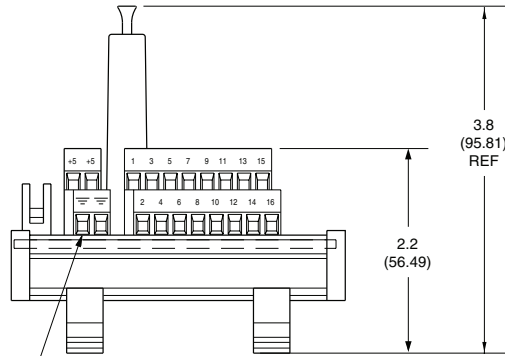
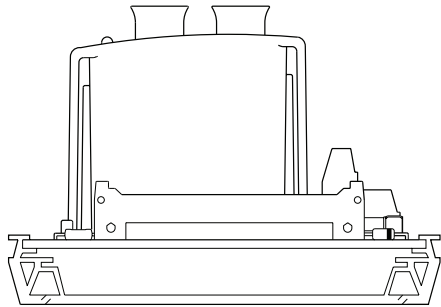


8 CHANNEL RACK: DIN Rail Mount

Part No. 70LRCK8-DIN

Dimensions are shown in inches (and millimeters).
 All tolerances are ± 0.010 (0,25) unless otherwise specified.

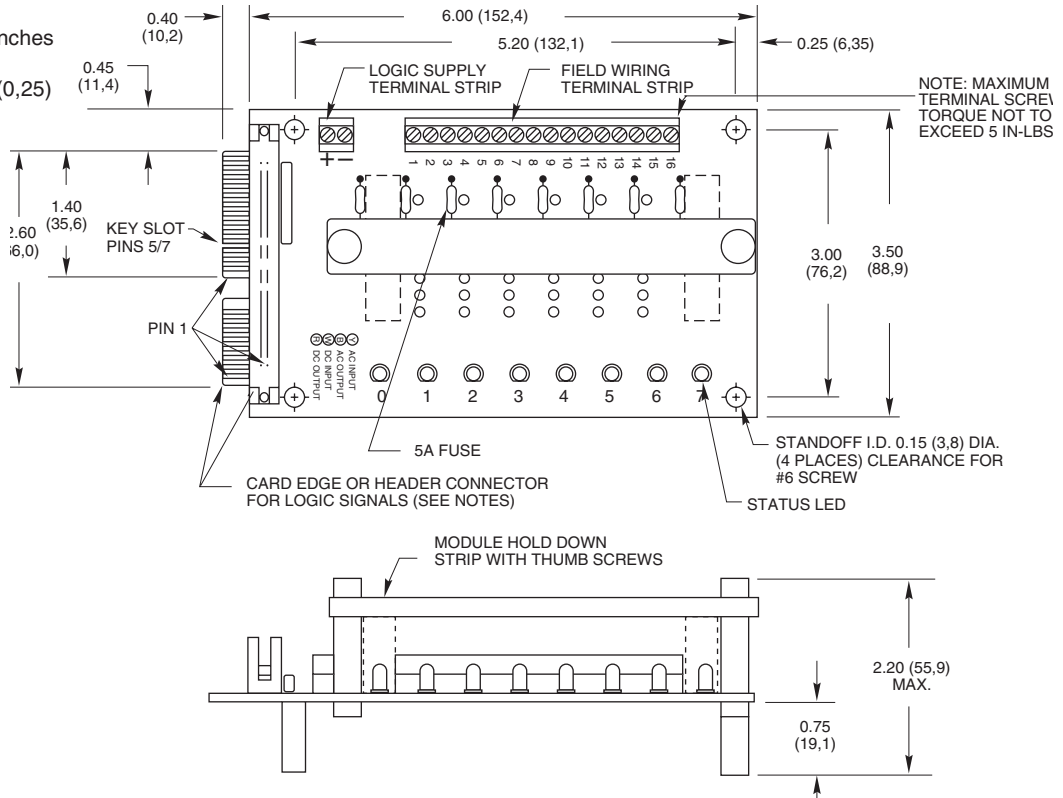


LOGIC SUPPLY TERMINAL STRIP
 TOP ROW: + LOGIC SUPPLY
 BOTTOM ROW: GND

8 CHANNEL RACK: Miniature

Part No. 70MRCK8

Dimensions are shown in inches (and millimeters).
All tolerances are ± 0.010 (0,25) unless otherwise specified.



8 CHANNEL RACK: G5

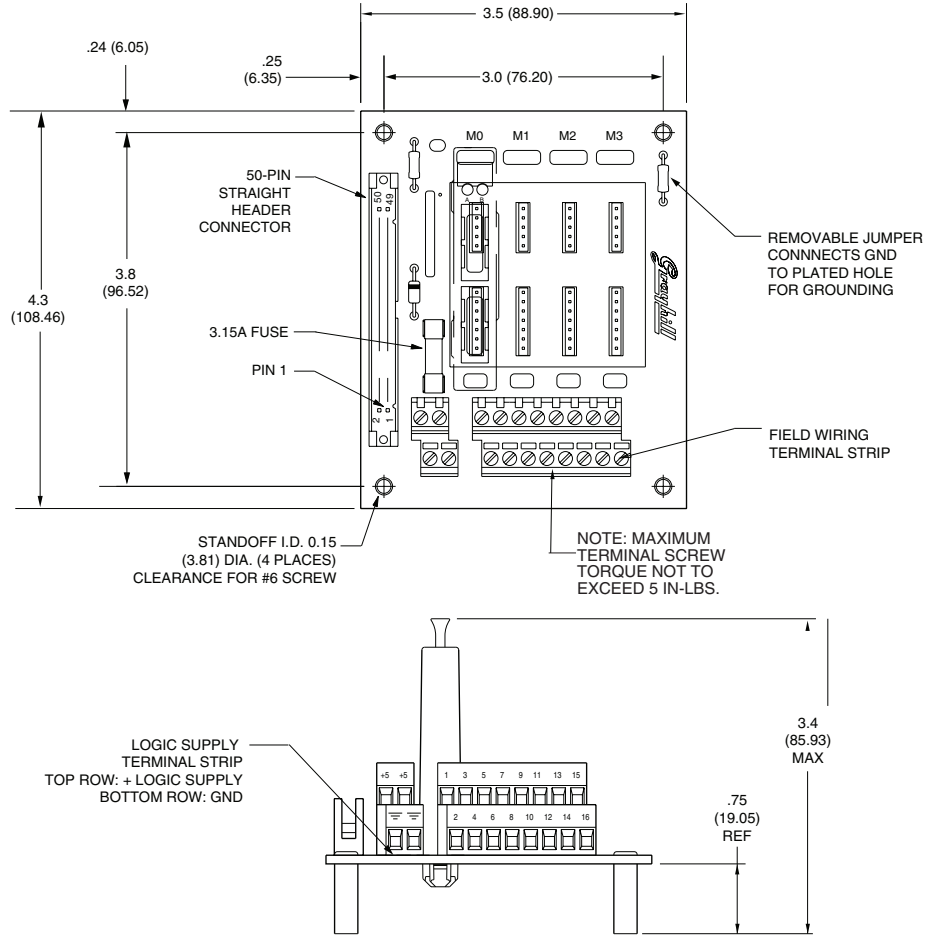
Part No. 70GRCK8

Dimensions are shown in inches (and millimeters).
All tolerances are ± 0.010 (0,25) unless otherwise specified.

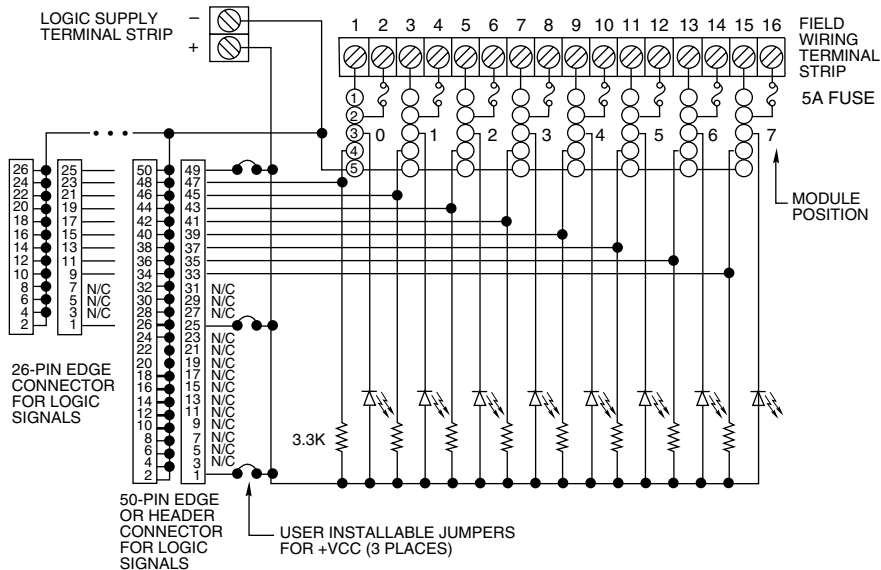


8 CHANNEL RACK: OpenLine® System 50

Part No. 70LRCK8
 Dimensions are shown in inches (and millimeters).
 All tolerances are ± 0.010 (0,25) unless otherwise specified.



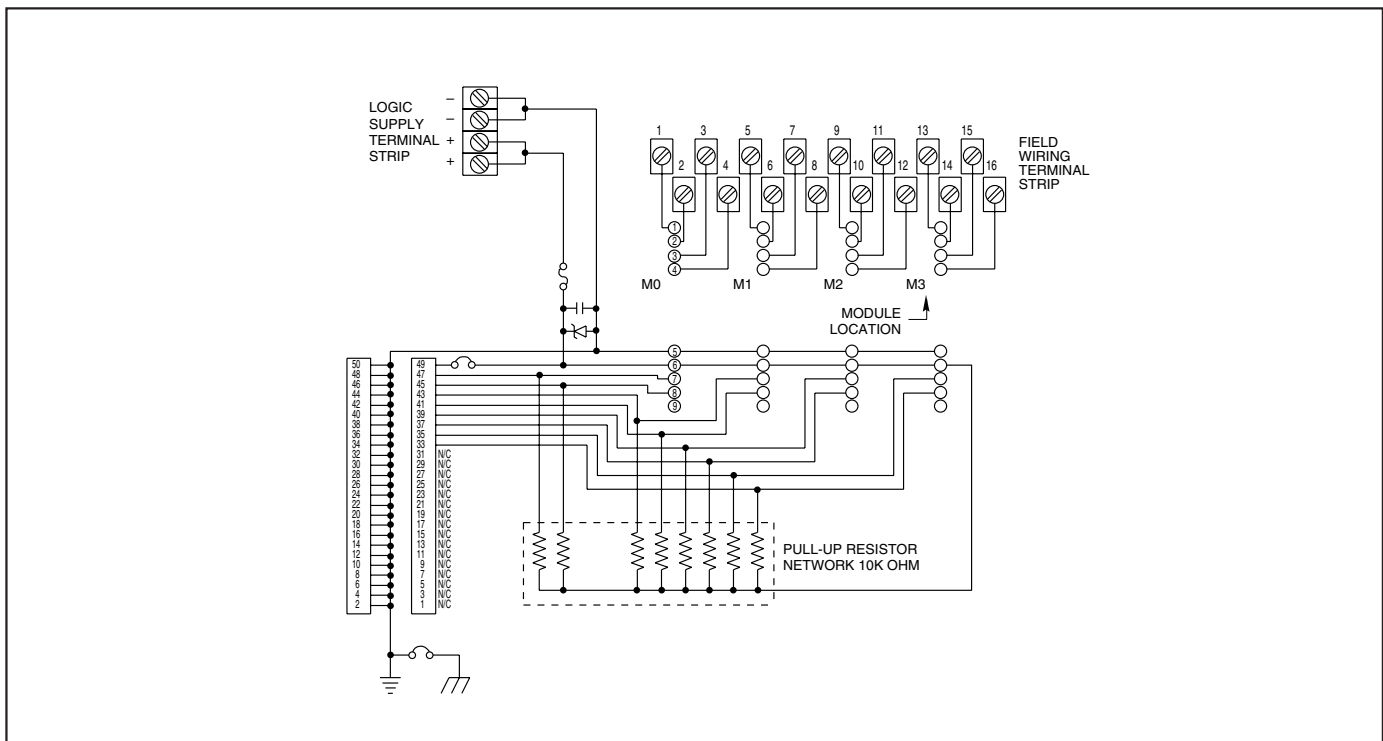
SCHEMATIC: Part Nos. 70RCK8, 70MRCK8



SCHEMATIC: Part No. 70GRCK8



SCHEMATIC: Part No. 70LRCK8



ORDERING INFORMATION (modules ordered separately)

Part Number	I/O	Description	UL	CSA	Style
70RCK8	8	Card edge	X	X	Standard
70RCK8-HL	8	50-pin header with ejector levers	X	X	Standard
70MRCK8-EC	8	Card edge	X	X	Mini
70MRCK8-HL	8	50-pin header with ejector levers	X	X	Mini
70GRCK8-HL	8	50-pin header with ejector levers	X	X	G5
70LRCK8-HL	8	50-pin header with ejector levers	Pend	Pend	OpenLine®
70LRCK8-DIN	8	50-pin header with DIN rail mount	Pend	Pend	OpenLine®

Available from your local Grayhill Distributor. For prices and discounts, contact a local Sales Office, an authorized local Distributor or Grayhill.

System 50