

Silicon Diffused Power Transistor

BUJ100B

GENERAL DESCRIPTION

High-voltage, high-speed planar-passivated npn power switching transistor in the SOT54 (TO92) envelope intended for use in high frequency electronic lighting ballast applications, converters and inverters, etc.

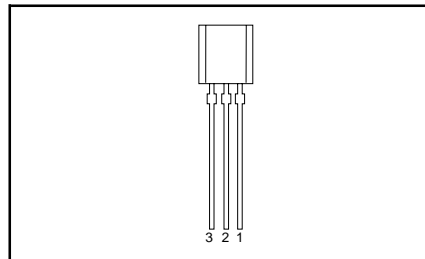
QUICK REFERENCE DATA

SYMBOL	PARAMETER	CONDITIONS	TYP.	MAX.	UNIT
V_{CESM}	Collector-emitter voltage peak value	$V_{BE} = 0\text{ V}$	-	700	V
V_{CBO}	Collector-Base voltage (open emitter)		-	700	V
V_{CEO}	Collector-emitter voltage (open base)		-	350	V
I_C	Collector current (DC)		-	1.0	A
I_{CM}	Collector current peak value		-	2.0	A
P_{tot}	Total power dissipation	$T_{lead} \leq 25\text{ }^\circ\text{C}$	-	2.0	W
V_{CEsat}	Collector-emitter saturation voltage	$I_C = 1.0\text{ A}; I_B = 0.2\text{ A}$	0.27	1.0	V
h_{FE}		$I_C = 1.0\text{ A}; V_{CE} = 5\text{ V}$	12	19	
t_{fi}	Fall time (Inductive)	$I_C = 1.0\text{ A}; I_{B1} = 0.2\text{ A}$	56	76	ns

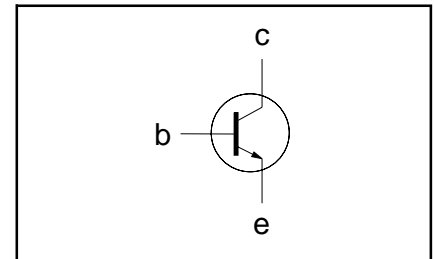
PINNING - SOT54 (TO92)

PIN	DESCRIPTION
1	Base
2	Collector
3	Emitter

PIN CONFIGURATION



SYMBOL



LIMITING VALUES

Limiting values in accordance with the Absolute Maximum Rating System (IEC 134)

SYMBOL	PARAMETER	CONDITIONS	MIN.	MAX.	UNIT
V_{CESM}	Collector to emitter voltage	$V_{BE} = 0\text{ V}$	-	700	V
V_{CEO}	Collector to emitter voltage (open base)		-	350	V
V_{CBO}	Collector to base voltage (open emitter)		-	700	V
I_C	Collector current (DC)		-	1.0	A
I_{CM}	Collector current peak value		-	2.0	A
I_B	Base current (DC)		-	0.5	A
I_{BM}	Base current peak value		-	1.0	A
P_{tot}	Total power dissipation	$T_{mb} \leq 25\text{ }^\circ\text{C}$	-	2.0	W
T_{stg}	Storage temperature		-65	150	$^\circ\text{C}$
T_j	Junction temperature		-	150	$^\circ\text{C}$

THERMAL RESISTANCES

SYMBOL	PARAMETER	CONDITIONS	TYP.	MAX.	UNIT
$R_{th\ j-lead}$	Thermal resistance junction to lead		-	60	K/W
$R_{th\ j-a}$	Thermal resistance junction to ambient	pcb mounted; lead length = 4 mm	150	-	K/W

Silicon Diffused Power Transistor

BUJ100B

STATIC CHARACTERISTICS $T_{mb} = 25\text{ °C}$ unless otherwise specified

SYMBOL	PARAMETER	CONDITIONS	MIN.	TYP.	MAX.	UNIT
I_{CES}, I_{CBO} I_{CES}	Collector cut-off current ¹	$V_{BE} = 0\text{ V}; V_{CE} = V_{CESMmax}$ $V_{BE} = 0\text{ V}; V_{CE} = V_{CESMmax}$ $T_j = 125\text{ °C}$	-	0.8	100	μA
I_{CEO} I_{EBO} $V_{CEOsust}$	Collector cut-off current ¹ Emitter cut-off current Collector-emitter sustaining voltage	$V_{CEO} = V_{CEOMmax} (350\text{V})$ $V_{EB} = 9\text{ V}; I_C = 0\text{ A}$ $I_B = 0\text{ A}; I_C = 10\text{ mA};$ $L = 25\text{ mH}$	-	-	100	μA
V_{CEsat} V_{BEsat}	Collector-emitter saturation voltage Base-emitter saturation voltage	$I_C = 1\text{ A}; I_B = 0.2\text{ A}$ $I_C = 1\text{ A}; I_B = 0.2\text{ A}$	-	0.27	1.0	V
h_{FE} h_{FE} h_{FE}	DC current gain	$I_C = 1\text{ mA}; V_{CE} = 5\text{ V}$ $I_C = 100\text{ mA}; V_{CE} = 5\text{ V}$ $I_C = 1.0\text{ A}; V_{CE} = 5\text{ V}$	17	23	-	V
			19	30	46	
			9	12	19	

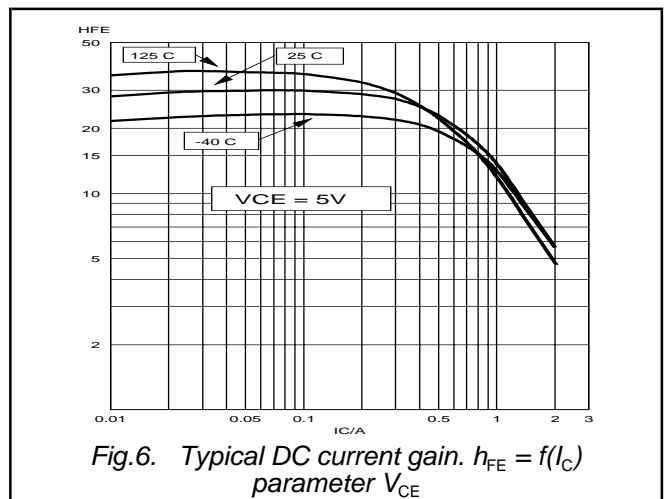
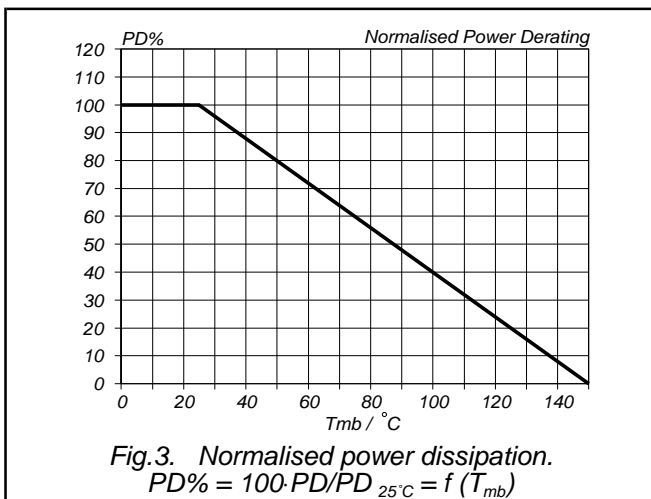
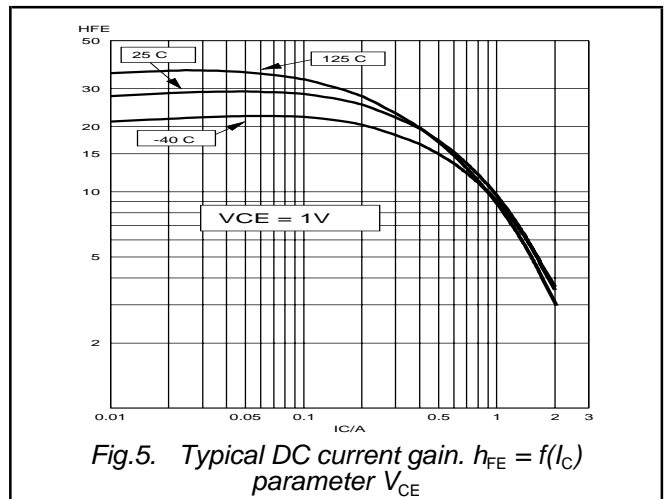
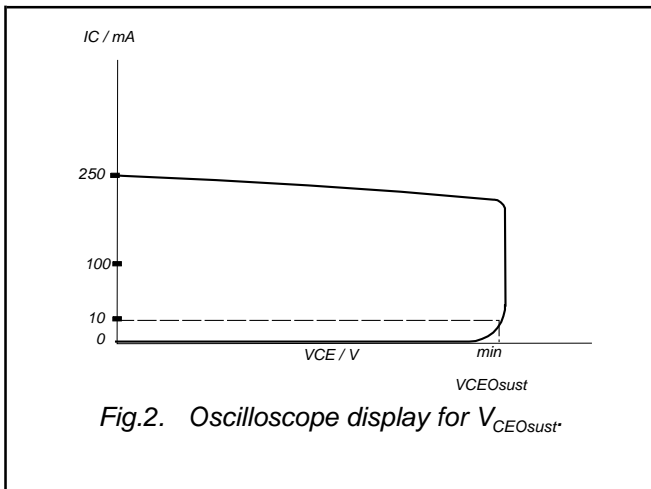
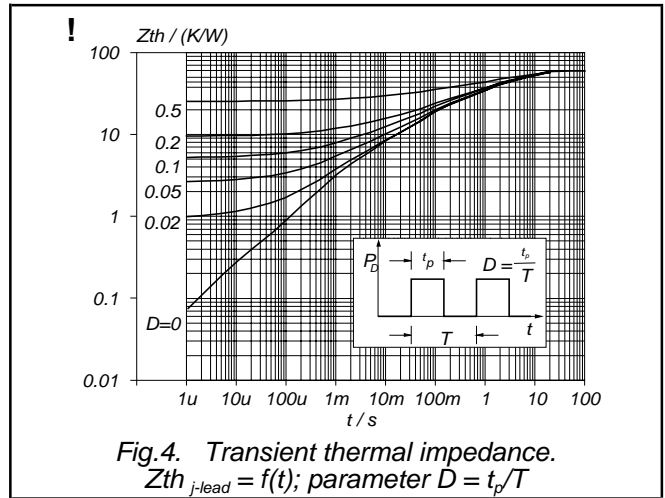
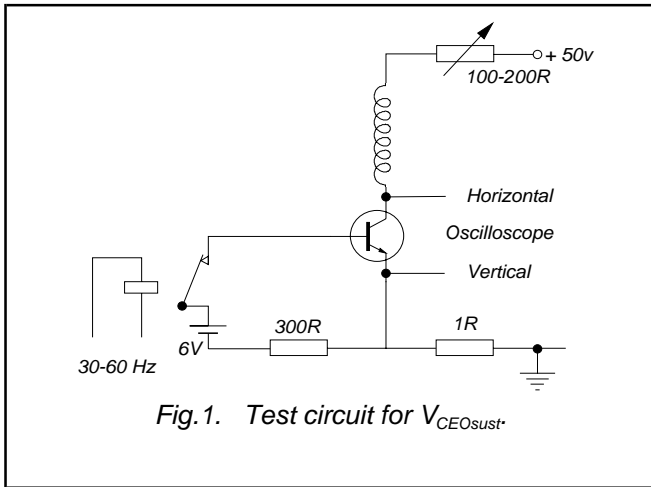
DYNAMIC CHARACTERISTICS $T_{mb} = 25\text{ °C}$ unless otherwise specified

SYMBOL	PARAMETER	CONDITIONS	TYP.	MAX.	UNIT
t_{on} t_s t_f	Switching times (resistive load) Turn-on time Turn-off storage time Turn-off fall time	$I_{Con} = 1.0\text{ A}; I_{Bon} = -I_{Boff} = 0.2\text{ A};$ $R_L = 75\text{ ohms}; V_{BB2} = 4\text{V};$	1.0	1.28	μs
			1.95	2.61	μs
			0.22	0.30	μs
t_{si} t_{fi}	Switching times (inductive load) Turn-off storage time Turn-off fall time	$I_{Con} = 1.0\text{ A}; I_{Bon} = 0.2\text{ A}; L_B = 1\text{ }\mu\text{H};$ $-V_{BB} = 5\text{ V}$	0.55	0.74	μs
			56	76	ns
t_{si} t_{fi}	Switching times (inductive load) Turn-off storage time Turn-off fall time	$I_{Con} = 1.0\text{ A}; I_{Bon} = 0.2\text{ A}; L_B = 1\text{ }\mu\text{H};$ $-V_{BB} = 5\text{ V}; T_j = 100\text{ °C}$	-	1.5	μs
			-	140	ns

¹ Measured with half sine-wave voltage (curve tracer).

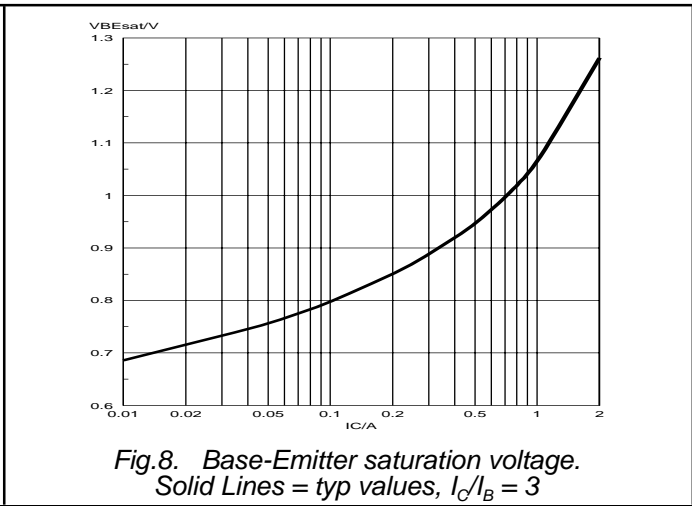
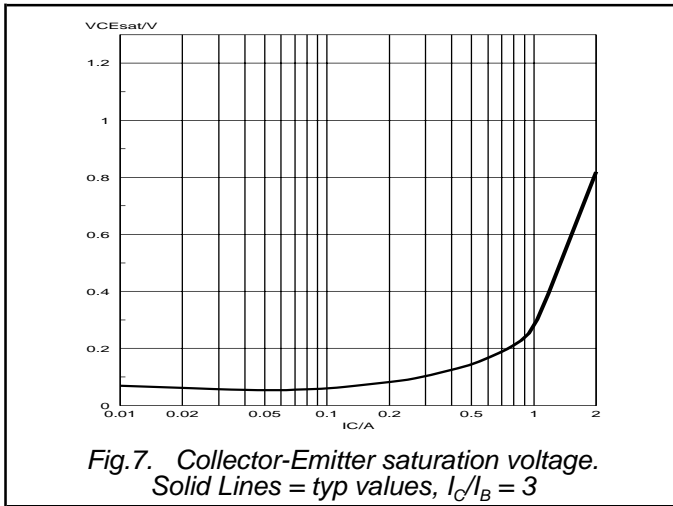
Silicon Diffused Power Transistor

BUJ100B

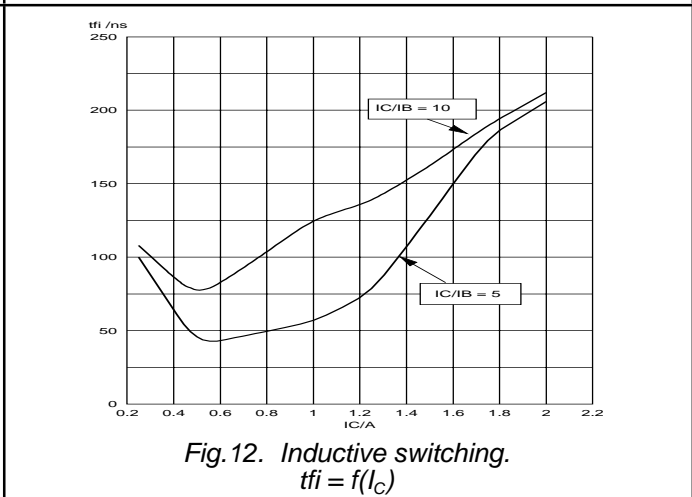
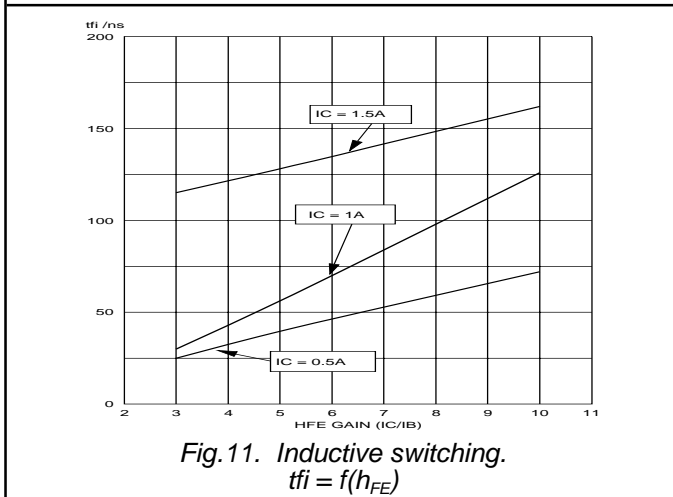
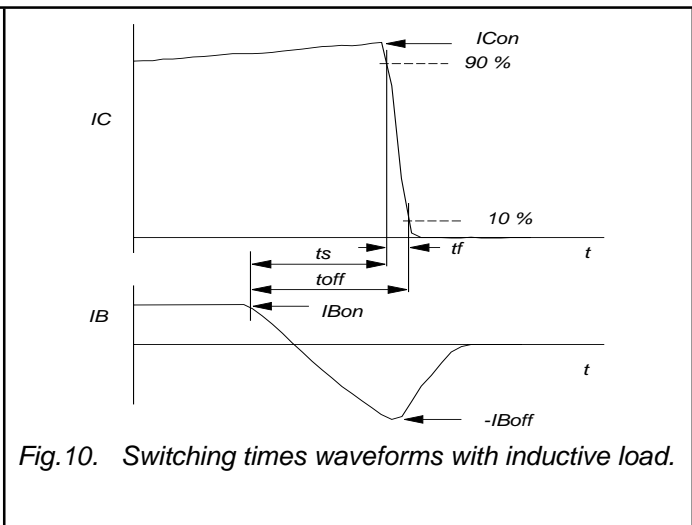
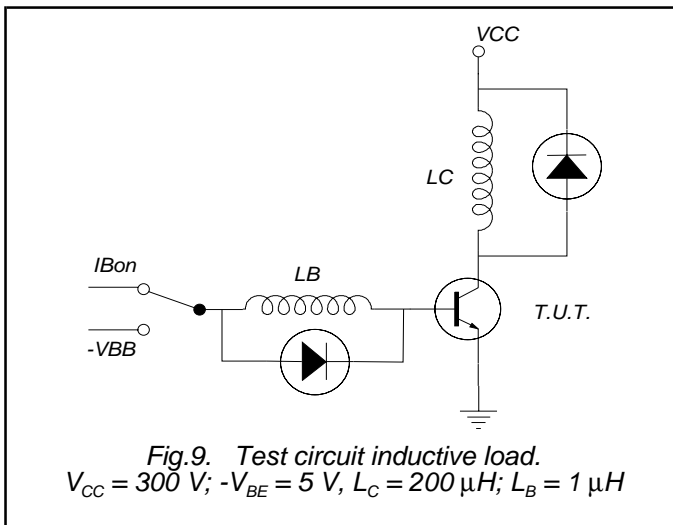


Silicon Diffused Power Transistor

BUJ100B



INDUCTIVE SWITCHING



Silicon Diffused Power Transistor

BUJ100B

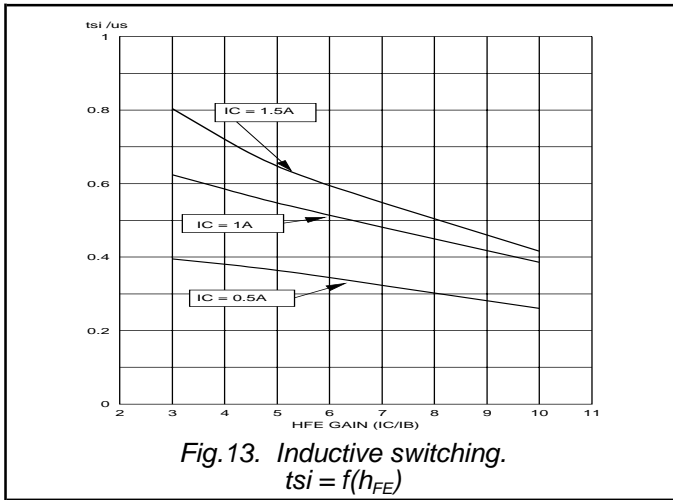


Fig.13. Inductive switching.
 $t_{si} = f(h_{FE})$

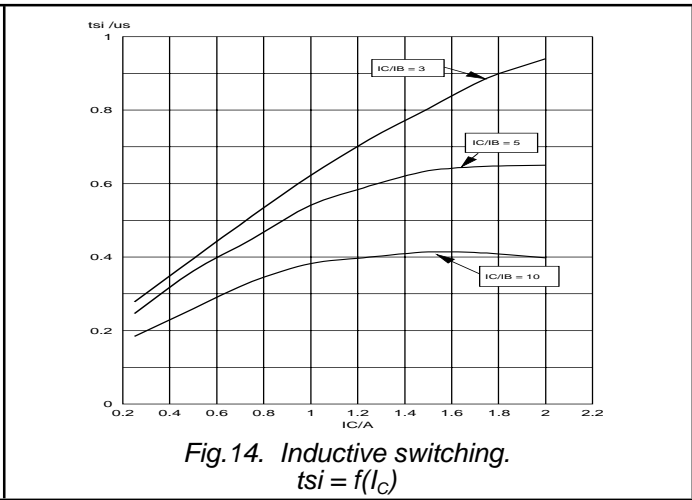


Fig.14. Inductive switching.
 $t_{si} = f(I_C)$

RESISTIVE SWITCHING

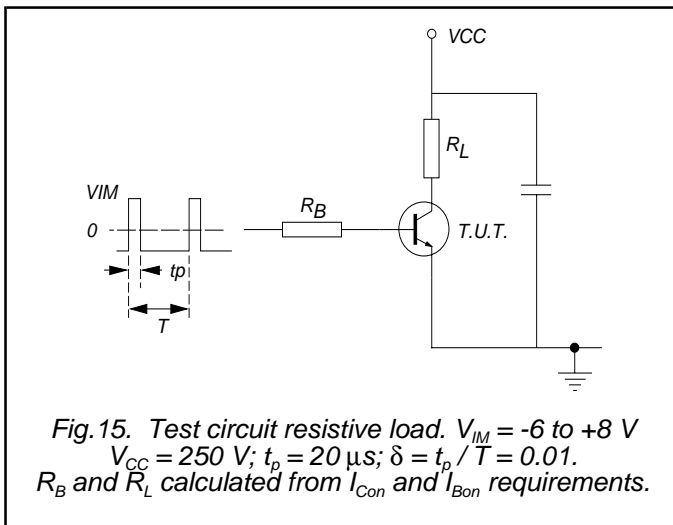


Fig.15. Test circuit resistive load. $V_{IM} = -6$ to $+8$ V
 $V_{CC} = 250$ V; $t_p = 20 \mu s$; $\delta = t_p/T = 0.01$.
 R_B and R_L calculated from I_{Con} and I_{Bon} requirements.

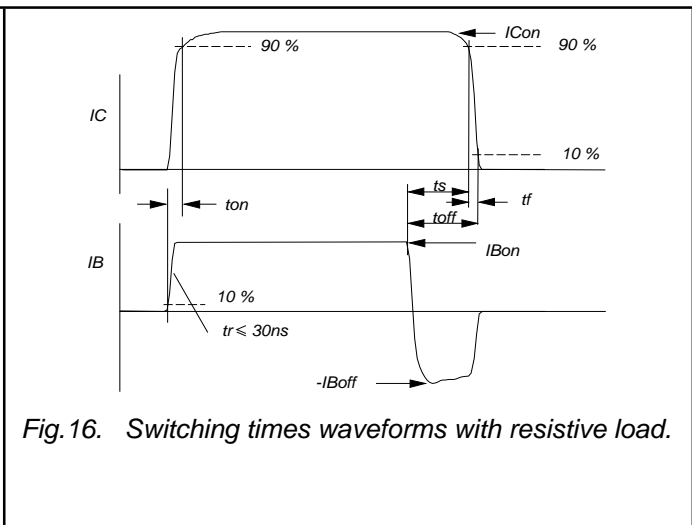


Fig.16. Switching times waveforms with resistive load.

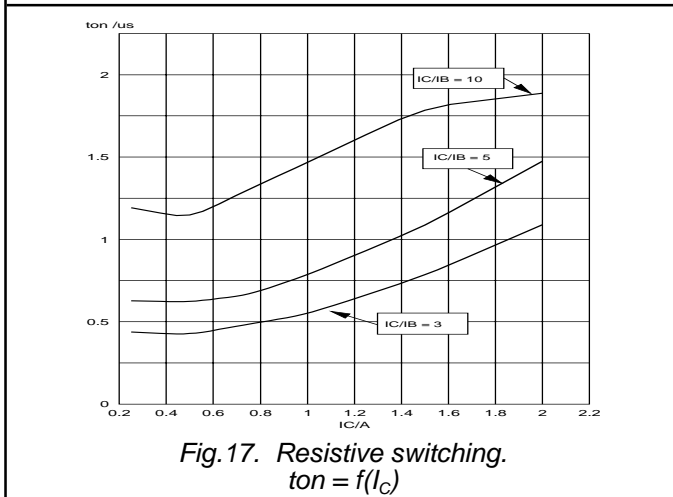


Fig.17. Resistive switching.
 $t_{on} = f(I_C)$

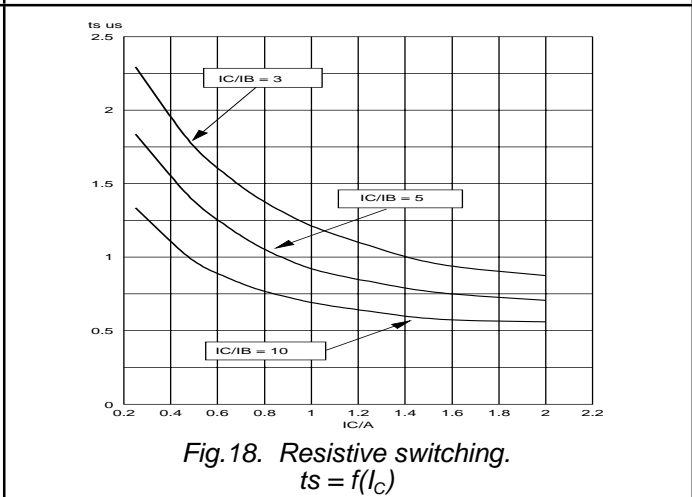
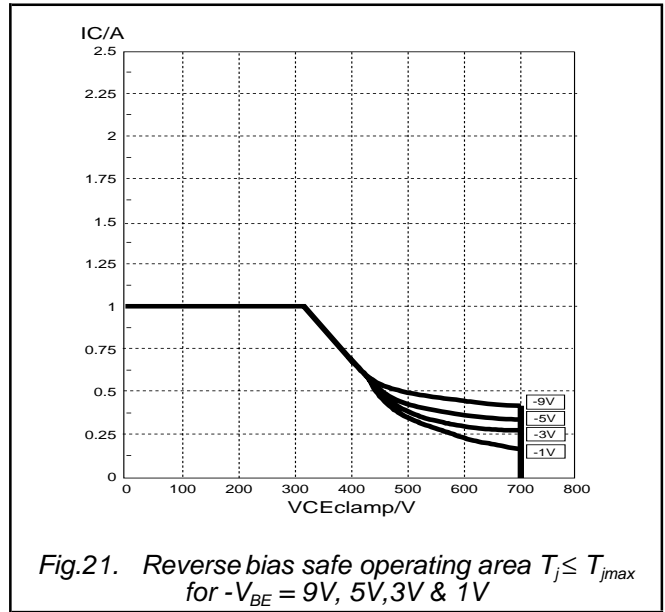
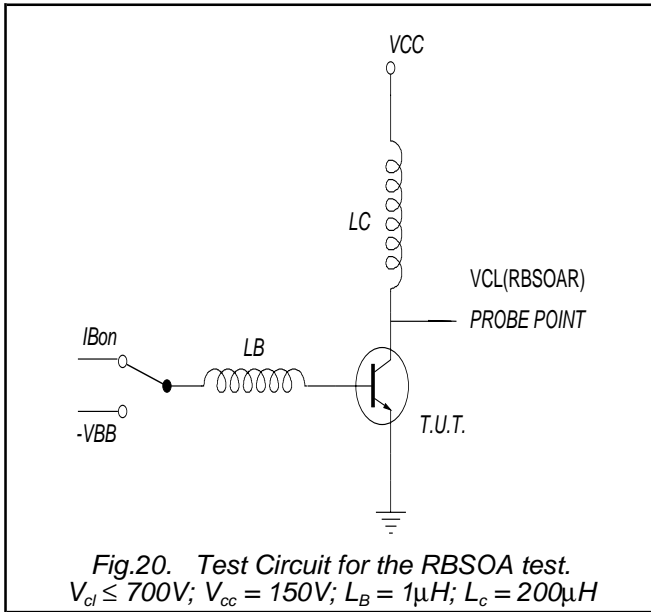
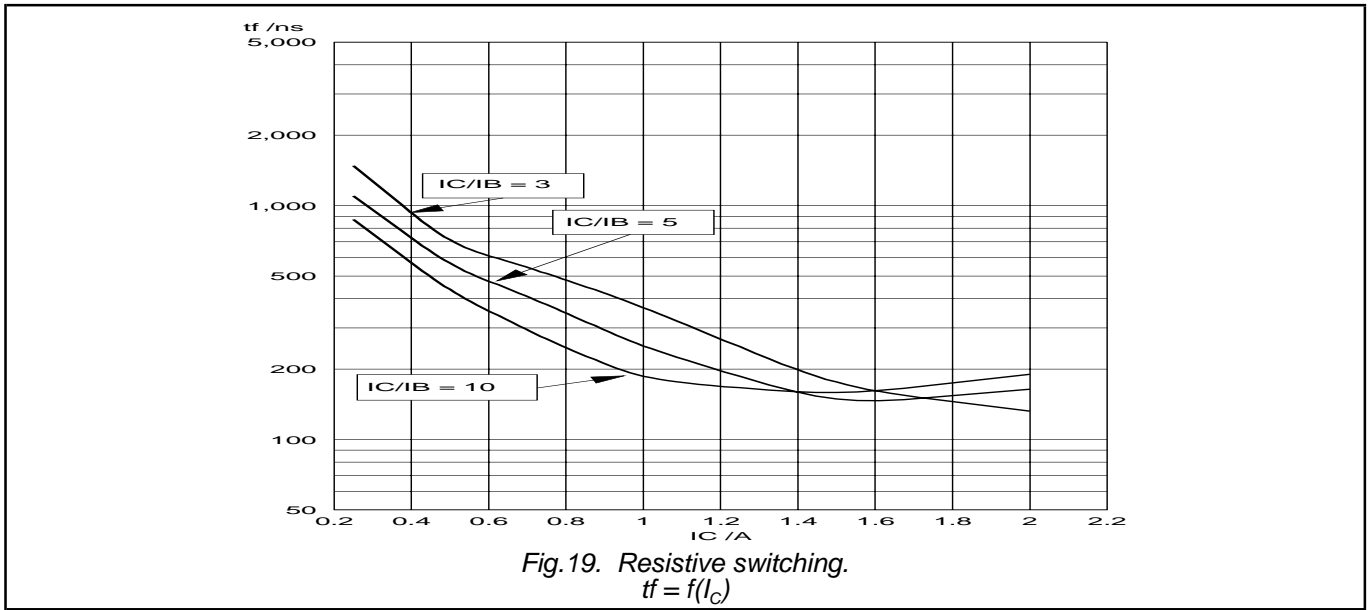


Fig.18. Resistive switching.
 $t_s = f(I_C)$

Silicon Diffused Power Transistor

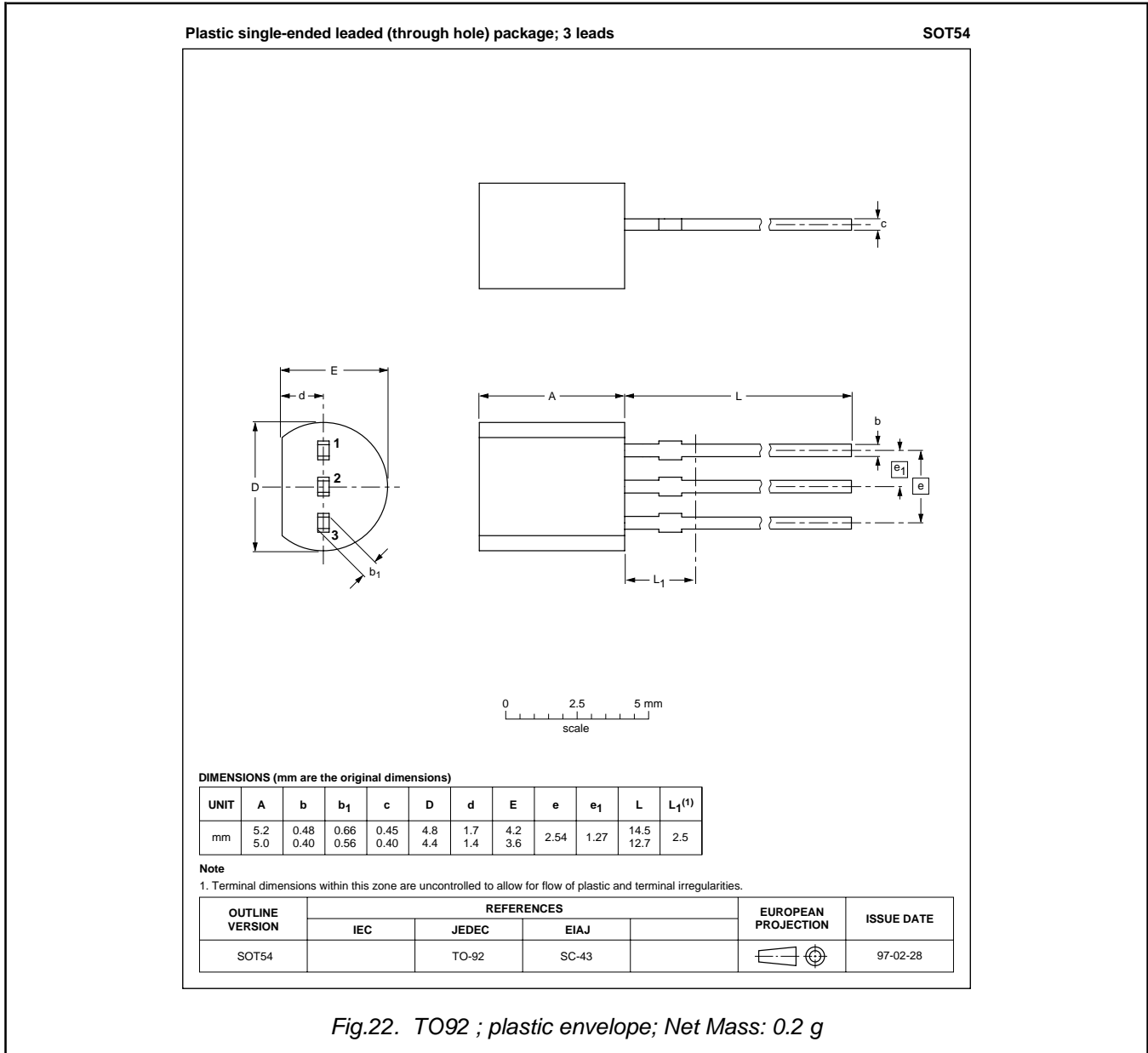
BUJ100B



Silicon Diffused Power Transistor

BUJ100B

MECHANICAL DATA



Notes

1. Epoxy meets UL94 V0 at 1/8".

Silicon Diffused Power Transistor

BUJ100B

DEFINITIONS

DATA SHEET STATUS		
DATA SHEET STATUS²	PRODUCT STATUS³	DEFINITIONS
Objective data	Development	This data sheet contains data from the objective specification for product development. Philips Semiconductors reserves the right to change the specification in any manner without notice
Preliminary data	Qualification	This data sheet contains data from the preliminary specification. Supplementary data will be published at a later date. Philips Semiconductors reserves the right to change the specification without notice, in order to improve the design and supply the best possible product
Product data	Production	This data sheet contains data from the product specification. Philips Semiconductors reserves the right to make changes at any time in order to improve the design, manufacturing and supply. Changes will be communicated according to the Customer Product/Process Change Notification (CPCN) procedure SNW-SQ-650A
Limiting values		
Limiting values are given in accordance with the Absolute Maximum Rating System (IEC 134). Stress above one or more of the limiting values may cause permanent damage to the device. These are stress ratings only and operation of the device at these or at any other conditions above those given in the Characteristics sections of this specification is not implied. Exposure to limiting values for extended periods may affect device reliability.		
Application information		
Where application information is given, it is advisory and does not form part of the specification.		
© Philips Electronics N.V. 2001		
All rights are reserved. Reproduction in whole or in part is prohibited without the prior written consent of the copyright owner.		
The information presented in this document does not form part of any quotation or contract, it is believed to be accurate and reliable and may be changed without notice. No liability will be accepted by the publisher for any consequence of its use. Publication thereof does not convey nor imply any license under patent or other industrial or intellectual property rights.		

LIFE SUPPORT APPLICATIONS

These products are not designed for use in life support appliances, devices or systems where malfunction of these products can be reasonably expected to result in personal injury. Philips customers using or selling these products for use in such applications do so at their own risk and agree to fully indemnify Philips for any damages resulting from such improper use or sale.

² Please consult the most recently issued datasheet before initiating or completing a design.

³ The product status of the device(s) described in this datasheet may have changed since this datasheet was published. The latest information is available on the Internet at URL <http://www.semiconductors.philips.com>.