



DON-50 50Watt High Voltage Mountable Non-Inductive, High Frequency Resistors

High Voltage 15kV, High Energy High Frequency Control with High Voltage Power Semiconductor's Switching, Pulsing, True Non-Inductive Powers.

DON-50, Non-Inductive design these elements are ideally suited for high frequency and high voltage pulse load applications. By direct mounting on a heatsink significant cost advantages can be realized for power Application upto 50watt.

DON-50 Non-Inductive 50Watt Mountable, High Voltage Resistors

Voltage Spec.;

1R~900R ; 3.5kVp

1kΩ ~ 2MΩ ; 12kVac, 12kVdc, 15kVp



SPECIFICATIONS

Resistance Values : 1R0 to 2Megohm others on request

Resistance Tolerance : ± 10% Std. ,1%,2%,5% available on request.

Temperature Coefficient : ± 100ppm/°C typ. (others upon request)

Maximum Working Voltage : 1R~900R ; 3.5kVp
1kΩ ~ 2MΩ;12kVac, 12kVdc, 15kVp not exceeding max. power

Single Shot Voltage : Up to 17kV at std. wave (1.5/50 μs) at 10kohms to Megohms

Insulation Resistance : 10GΩ min. at 1kV

Creeping Distance : 42mm min.

Inductance : ≤50 nH

Capacity/Ground : ≤110pF

Capacity/Resistive : ≤40pF

Operation Temperature : -55°C to +155°C

Max. Torque for Contacts : 2 N.m

Max. Torque for Mounting : 1.8 N.m

Power Rating : 50W at 50°C Tap Temperature

Dielectric Strength : Up to 15kV

Termination to Contacts : M5 Screws

Required thermal transfer compound of-heat conductivity : 1 W/°C

Required flatness of heat sink : ≤ 0.05mm

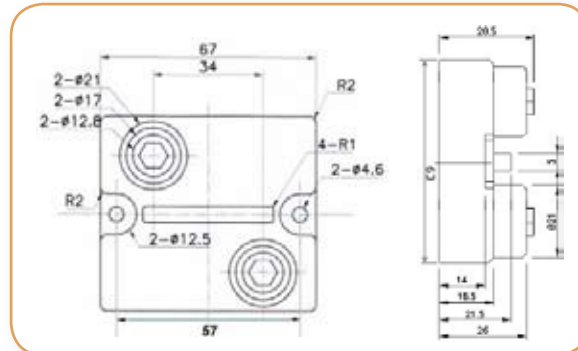
Roughness of the Heatsink surface : ≤ 6.4 μm.

Isolation Voltage(Terminal to Heatsink) : 12kVac

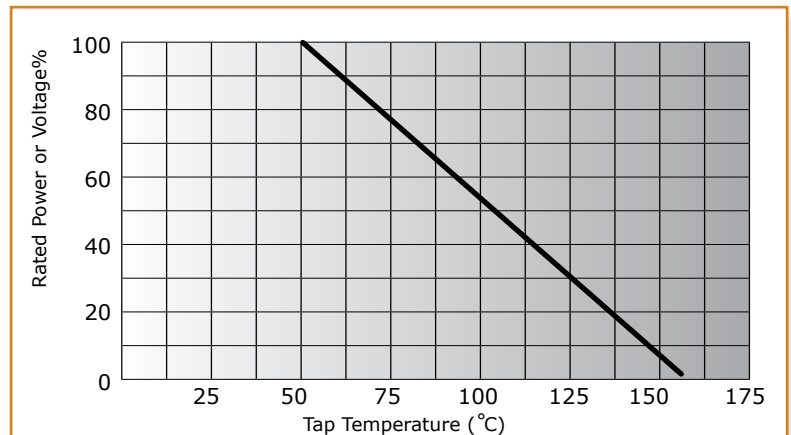
Resistive Materials : Thicker Film

Bottom Tap Materials : AlN

DIEMENSION



DERATING CURVE



cf.: The described specifications & dimensions subject to change without notice.

Willow Technologies Ltd. Shawlands Court, Newchapel Road, Lingfield, Surrey, RH7 6BL, United Kingdom.

+44 (0) 1342 835234 +44 (0) 1342 834306 info@willow.co.uk <http://www.willow.co.uk>