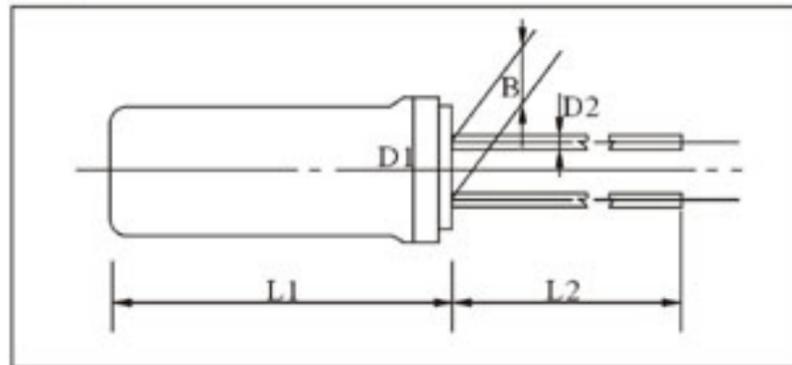
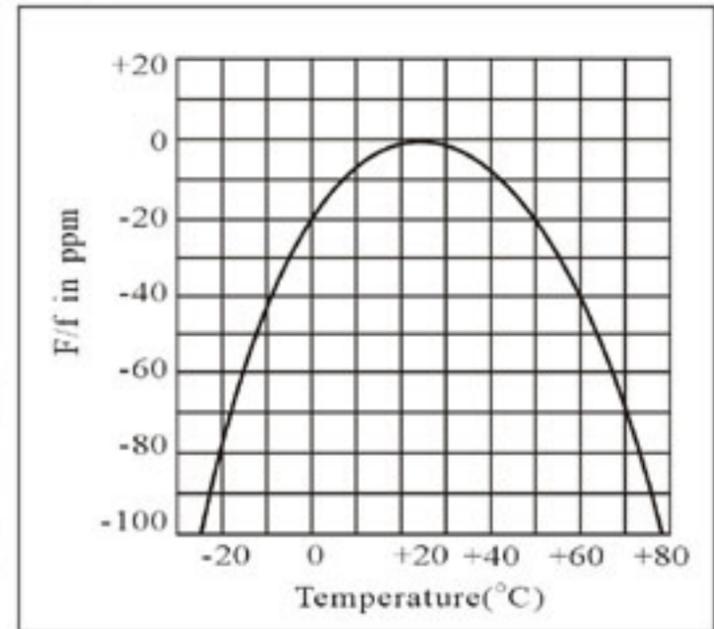


QUARTZ CRYSTAL RESONATOR
石英晶体谐振器
DT38/DT26/DT15 DIP TYPE
⊕ DIMENSIONS (Unit: mm) 外形尺寸


L1	L2	D1	D2	B
8.0 max	9.0 min	∅3.1 max	∅0.3	1.1
6.0 max	4.0 min	∅2.0 max	∅0.2	0.7
5.0 max	4.0 min	∅1.5 max	∅0.2	0.5
4.6 max	4.0 min	∅1.2 max	∅0.15	0.3


⊕ TEMPERATURE CHARACTERISTICS

⊕ PART NUMBER GUIDE 部件号示例 e.g. FTX32.768K12.5D6 (*D6=DT26 D8=DT38 D5=DT15)

	Quartz Crystal Resonator 石英晶体谐振器	Frequency 频率	Load Capacitance 负载电容	*Package Type 盒形
FT	X	32.768KHz	12.5	D6

⊕ PARAMETERS 技术参数

ITEM	SYMBOL	SPECIFICATIONS	REMARKS
Nominal Frequency 标称频率	f	32.000KHz to 120.000KHz 192KHz	Please refer to frequency list below
Temperature Range 温度范围	Storage Temp. 储存温度 T _{STG}	-20°C to +70°C	
	Operating Temp. 工作温度 T _{OPR}	-10°C to +60°C	
Maximum Drive Level 测试激励电平	GL	1.0 μW max	
Frequency Tolerance (Standard) 调整频差	Δf/f	±50×10 ⁻⁶ ±100×10 ⁻⁶	Ta=+25°C DL=0.1 μW
Temperature Coefficient (Frequency) 二次温度曲线系数	a	-0.04×10 ⁻⁶ /°C ² max	
Load Capacitance 负载电容	C _L	12.5pF Std. 6pF to ∞	Please specify
Series Resistance 谐振电阻	R ₁	32KHz≤f<38KHz: 50KΩ max 38KHz≤f<50KHz: 30KΩ max 50KHz≤f<74KHz: 25KΩ max 74KHz≤f≤100KHz: 22KΩ max 100KHz<f≤120KHz: 15KΩ max 192KHz: 10KΩ max	
Motional Capacitance 动态电容	C ₁	3.0fF max	
Shunt Capacitance 静态电容	C ₀	1.5pF max	
Insulation Resistance 绝缘电阻	IR	500MΩ min	
Aging 年老化率	Fa	±5×10 ⁻⁶ /year max	Ta=+25°C ±3°C (First Year)

⊕ FREQUENCY EXAMPLE (Frequency Unit: MHz / C_L Value Unit: pF)

Type	∅3×8 ∅2×6												∅1.5×5				
Freq.	26.6667	32.7680	36.8640	38.4000	44.7340	48.0000	75.0000	77.5030	76.8000	96.0000	153.6000	307.2000	38.4000	50.0000	76.8000	77.5030	192.0000
C _L	12.5	12.5	12.5	12.5	12.5	12.5	12.5	12.5	12.5	12.5	12.5	12.5	12.5	12.5	12.5	12.5	12.5
Value	10.0	10.6	13.5	10.0	10.0	15.0	6.5	10.0	6.0	6.0	11.0	11.0	11.0	9.0	11.0	10.0	11.0