

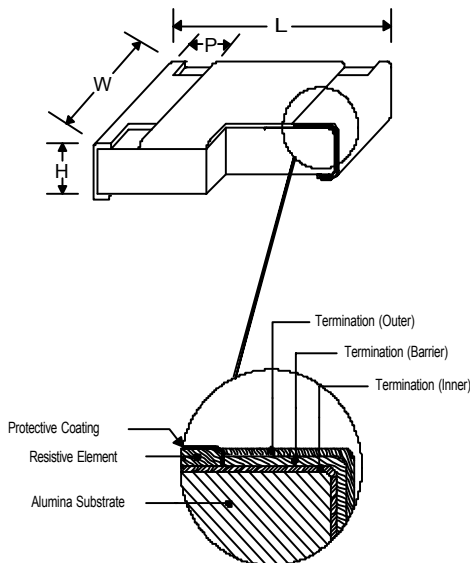
PRODUCT BULLETIN



LRC-SERIES Fractional Ohm

WILLOW TECHNOLOGIES LTD.
SHAWLANDS COURT, NEWCHAPEL ROAD
LINGFIELD, SURREY, RH7 6BL, ENGLAND
Tel. + 44 (0) 1342 835234 Fax. + 44 (0) 1342 834306
E-mail rob@willow.co.uk
Website <http://www.willow.co.uk>

- METAL FILM
- STANDARD INDUSTRY CASE SIZES
0805 1206 2010 2512
- POWER RATINGS .25W, .50W, .75W & 1.0W
- TCR ± 75 , ± 100 & ± 200 PPM/°C
- TOLERANCE 1%
- LOW INDUCTANCE
- WRAP AROUND TERMINATION
- TERMINATION BARRIER FOR INNER ELECTRODE PROTECTION
- STABLE CURRENT DETECTING RESISTOR



DEDICATION TO EXCELLENCE

Specifications

TYPE	Dimension			
	INCHES		MILLIMETERS	
	L	W	H	P
LRC1220L (0805)	0.079 \pm 0.006 (2.00 \pm 0.15)	0.049 \pm 0.006 (1.25 \pm 0.15)	0.020 \pm 0.006 (0.50 \pm 0.15)	0.016 \pm 0.010 (0.40 \pm 0.25)
LRC1632L (1206)	0.126 \pm 0.006 (3.20 \pm 0.15)	0.063 \pm 0.006 (1.60 \pm 0.15)	0.024 \pm 0.006 (0.60 \pm 0.15)	0.020 \pm 0.010 (0.50 \pm 0.25)
LRC2550L (2010)	0.200 \pm 0.006 (5.10 \pm 0.15)	0.098 \pm 0.006 (2.50 \pm 0.15)	0.024 \pm 0.006 (0.50 \pm 0.15)	0.024 \pm 0.010 (0.60 \pm 0.25)
LRC3264L (2512)	0.250 \pm 0.006 (6.30 \pm 0.15)	0.126 \pm 0.006 (3.20 \pm 0.15)	0.024 \pm 0.006 (0.50 \pm 0.15)	0.024 \pm 0.010 (0.60 \pm 0.25)

Operating Temperature Range is -55°C to +125°C
Resistance Tolerance $\pm 1\%$

Resistance Range	Temperature Coefficient
0.025 .049	± 200 PPM/°C
0.05 .099	± 100 PPM/°C
0.1 1.0	± 75 PPM/°C

In addition the 0805 part is available from 0.01 .99 @ ± 200 PPM/°C

Power Ratings

Case Size	Wattage
0805	.25W @ 70°C
1206	.50W @ 70°C
2010	.75W @ 70°C
2512	1.0W @ 70°C

Available Values

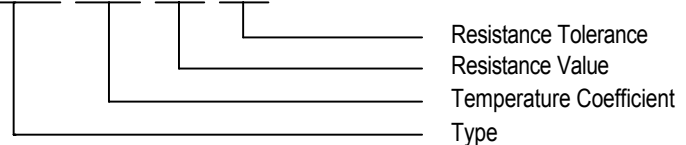
All E6 values plus the following

0805	1206	2512
2.0	2.0	1.2
2.5	2.4	1.6
5.0	2.5	2.0
	2.7	2.5
	3.9	4.0
	5.0	5.0
	5.6	6.5
	7.5	
	8.2	

How to Order

Sample Part Number

LRC1632L TC100 0.1R $\pm 1\%$



Performance Data

LOAD LIFE	$\Delta R \pm(0.5\% + .0005\Omega)$
HUMIDITY	$\Delta R \pm(0.5\% + .0005\Omega)$
TEMPERATURE CYCLE	$\Delta R \pm(0.5\% + .0005\Omega)$
SHORT TIME OVERLOAD	$\Delta R \pm(0.5\% + .0005\Omega)$
EFFECTS OF SOLDER HEAT	$\Delta R \pm(0.5\% + .0005\Omega)$

Operating Temperature Range is -55°C to +125°C

Derating Curve

For resistors operated in ambient above 70°C, power dissipation must be derated in accordance with the curve in Fig. 1.

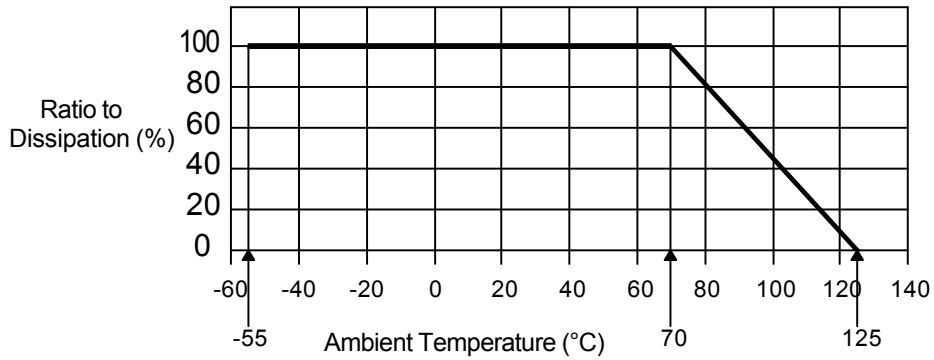


Figure 1