

Monolithic crystal filter

MQF70.0-2000/02



Application

- 4 pol filter
- i.f.- filter
- use in mobile and stationary transceivers

Limiting values

		Unit	Value
Center frequency	f_0	MHz	70.0
Insertion loss		dB	≤ 3.0
Pass band at 3.0 dB		kHz	± 10.00
Ripple in pass band	$f_0 \pm 8.00$ kHz	dB	≤ 2.0
Stop band attenuation	$f_0 \pm 40$ kHz	dB	≥ 35
Alternate attenuation	$f_0 \pm 910$ kHz	dB	> 70

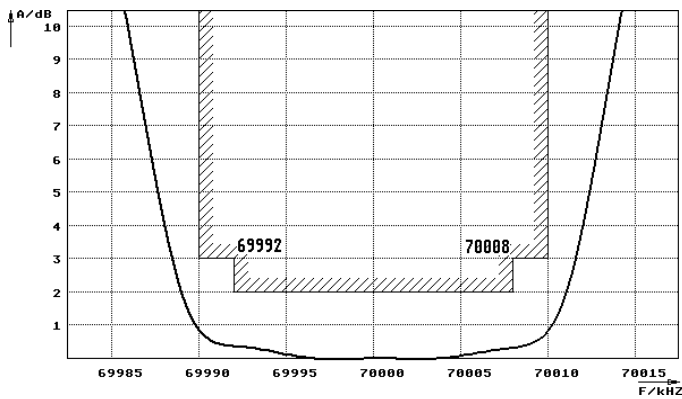
Terminating impedance Z

R1 C1		Ohm/pF	2500 -1.0
R2 C2		Ohm/pF	2500 -1.0
Coupling capacitance	Ck	pF	-1.0

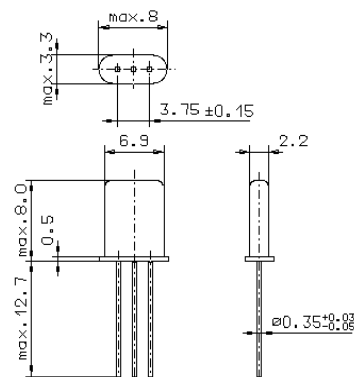
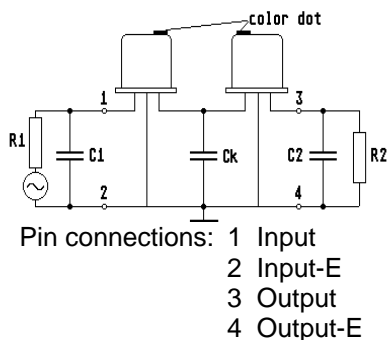
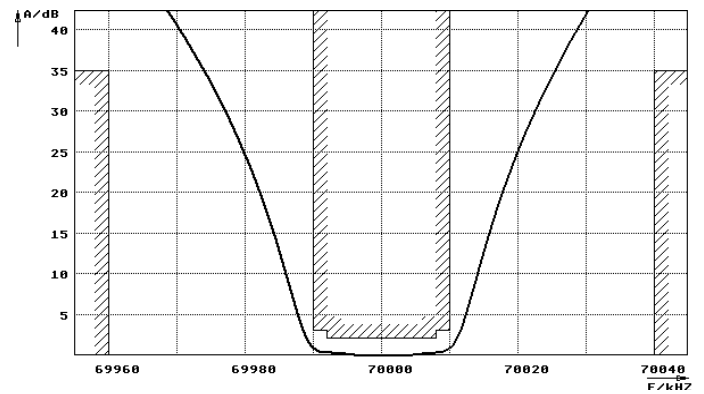
Operating temp. range		° C	-20... +70
-----------------------	--	-----	------------

Characteristics MQF70.0-2000/02

Pass band



Stop band



GH9