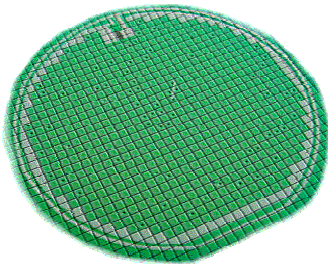


# MS7801

# PRESSURE SENSOR DIE (0-1 BAR)



- 0 to 100 kPa range (1 bar or 14.5PSI)
- Absolute/differential pressure sensors
- RoHS-compatible & Pb-free<sup>1</sup>

## DESCRIPTION

The sensor element of the MS7801 consists of a silicon micro-machined membrane with a Pyrex glass mounted under vacuum. Implanted resistors make use of the piezo-resistive effect. The absolute pressure sensor (MS7801A) carries a sealed vacuum reference cavity underneath the membrane whereas the differential sensor (MS7801D) has a hole in the Pyrex glass at the backside of the sensor.

## FEATURES

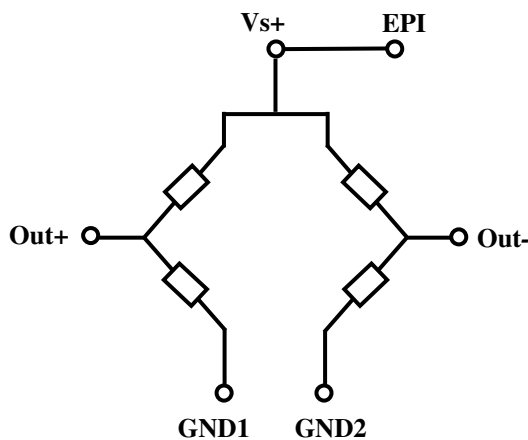
- Uncompensated pressure sensor die
- Output Span 150mV @ 5V
- Temperature Range -40°...+125°C
- Linearity 0.05% (typical)
- Small Die Size 1.98 x 1.84mm
- Low Cost, High reliability

## APPLICATION

- For absolute or differential pressure sensor systems
- Barometers, Altimeters
- Variometers

## ELECTRICAL CONNECTIONS

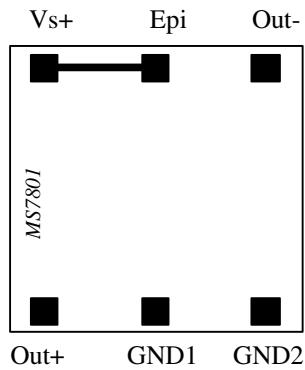
Positive output for pressure applied topside



- Vs+ : Supply voltage of Wheatstone bridge
- Epi : Connection of epitaxial layer (membrane)
- Out- : Negative output
- Out+ : Positive output
- GND1 : Ground
- GND2 : Ground

<sup>1</sup> The European RoHS directive 2002/95/EC (Restriction of the use of certain Hazardous Substances in electrical and electronic equipment) bans the use of lead, mercury, cadmium, hexavalent chromium and polybrominated biphenyls (PBB) or polybrominated diphenyl ethers (PBDE).

## PAD OUT

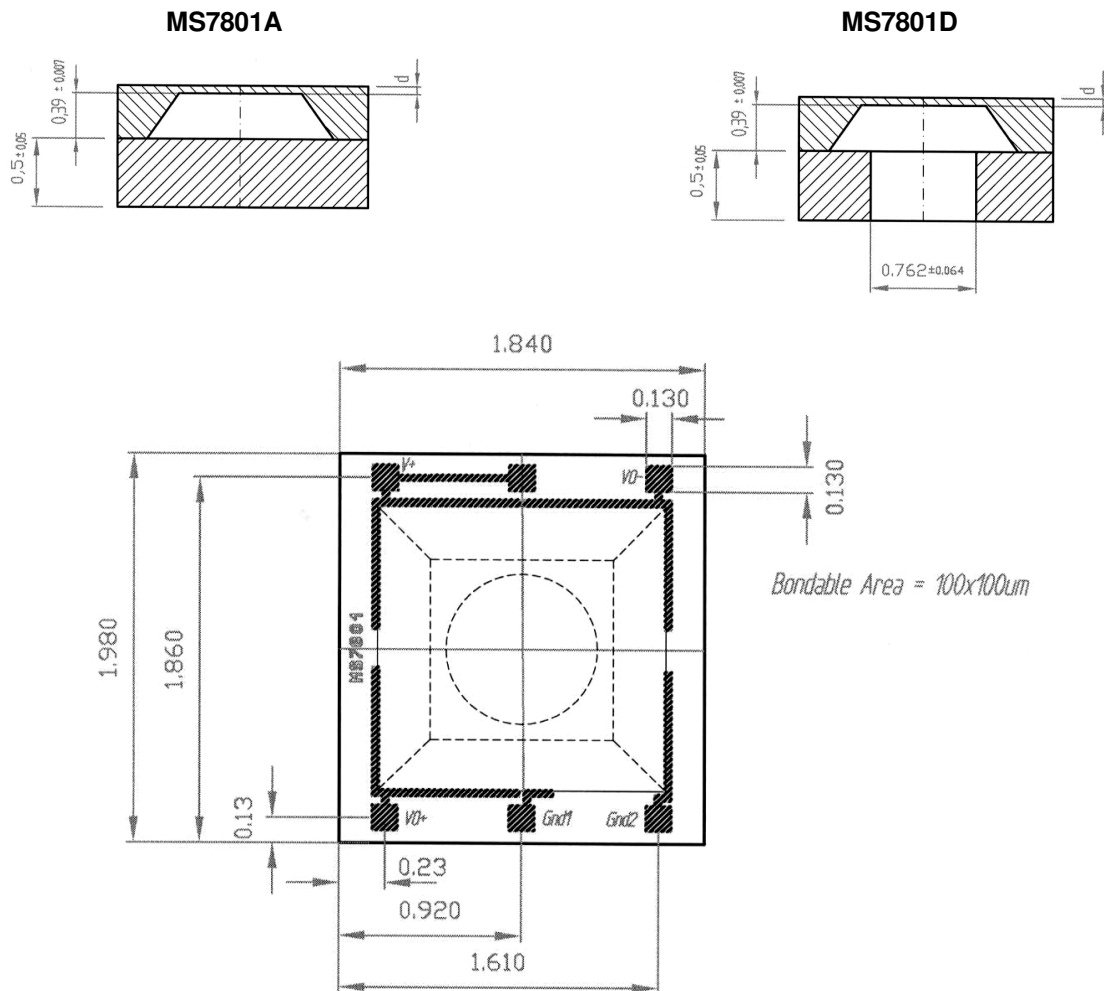


### Important remarks:

As the sensing elements are diffused resistances, the voltage applied on the ground pads (GND1 and GND2) has to be lower than the voltage applied on supply voltage pad (Vs+).

The epitaxial layer is connected to the Vs+ pin on the die

## LAYOUT



## FULL SCALE PRESSURE

kPa	bar	mbar	PSI	atm	mm Hg	m H <sub>2</sub> O	Inches H <sub>2</sub> O
100	1	1000	14.5	0.987	750	10.197	401

## ABSOLUTE MAXIMUM RATINGS

Parameter	Symbol	Conditions	Min	Max	Unit
Supply voltage	VS+	Ta = 25 °C		20	V
Storage temperature	T <sub>S</sub>		-40	+150	°C
Pressure overload				5	Bar

## ELECTRICAL CHARACTERISTICS

(Reference conditions: Supply Voltage VS+ = 5 Vdc; Ambient Temperature Ta = 25 °C)

Parameter	Min	Typ	Max	Unit	Notes
Operating Pressure Range	0		1	Bar	
Operating Temperature Range	-40		125	°C	
Bridge Resistance	3.0	3.4	3.8	kΩ	
Full-scale span (FS)	120	150	180	mV	
Zero Pressure Offset	-40	0	40	mV	
Linearity		± 0.05	± 0.2	% FS	1
Temperature Coefficient of Resistance Span Offset	+ 2400 - 1500 - 80	+ 2800 - 1900	+ 3300 - 2300 + 80	ppm/°C ppm/°C μV/°C	2
Pressure Hysteresis		± 0.05	± 0.15	% FS	3
Repeatability		± 0.05	± 0.15	% FS	4
Temperature Hysteresis			0.3	% FS	5

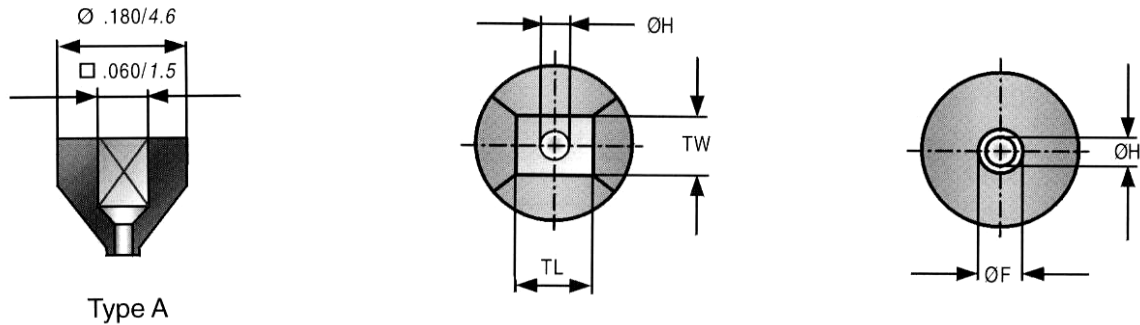
## NOTES

- 1) Deviation at one half full-scale pressure from the least squares best line fit over pressure range (0 to 1 bar).
- 2) Slope of the endpoint straight line from 25 °C to 60 °C.
- 3) Output deviation at any pressure within the specified range, when this pressure is cycled to and from the minimum or maximum rated pressure, at 25 °C.
- 4) Same as 3) after 10 pressure cycles
- 5) Maximum difference in offset after one thermal cycle from -40 °C to +125 °C.

## PICKING TOOLS

The MS7801 sensors have a sensitive membrane (0.9 x 0.9 mm) the sensor dice outer diameter is: 1.98 x 1.84 mm. The pick and place tool has to be of a soft material as rubber (Hardness 78-97 Shore A). Its external size must fit the sensor and the vacuum cavity must be as large as the membrane itself. Successful test where done with some tools of SPT , see SPT drawing and references below).

SPT references	RTR-A1-060x060	CTR-A1-080
External dimension	TL & TW: 0.06 inch / 1.52 mm	ØF: 0.08 inch / 2.03 mm
Internal dimensions	ØH: 0.035 inch / 0.89 mm	ØH: 0.035 inch / 0.89 mm



## ORDERING INFORMATION

Product Code	Type	Product	Art.-Nr.
MS7801-A	Absolute	1 bar Pressure Sensors sawn on b/f	780125021
MS7801-A_0.2	Absolute	1 bar Pressure Sensors 0.2 mm Pyrex sawn on b/f	780125022
MS7801-D	Differential	1 bar Pressure Sensors sawn on b/f	780125121

The MS7801 dice are supplied sawn on blue foil, mounted on plastic rings

## FACTORY CONTACTS

Intersema Sensoric SA Ch. Chapons-des-Prés 11 CH-2022 BEVAIX  SWITZERLAND	Tel. 032 847 9550 Tel. Int. +41 32 847 9550 Telefax +41 32 847 9569 e-mail: <a href="mailto:sales@intersema.ch">sales@intersema.ch</a> <a href="http://www.intersema.ch">http://www.intersema.ch</a>
---	--

### NOTICE

Intersema reserves the right to make changes to the products contained in this data sheet in order to improve the design or performance and to supply the best possible products. Intersema assumes no responsibility for the use of any circuits shown in this data sheet, conveys no license under any patent or other rights unless otherwise specified in this data sheet, and makes no claim that the circuits are free from patent infringement. Applications for any devices shown in this data sheet are for illustration only and Intersema makes no claim or warranty that such applications will be suitable for the use specified without further testing or modification.