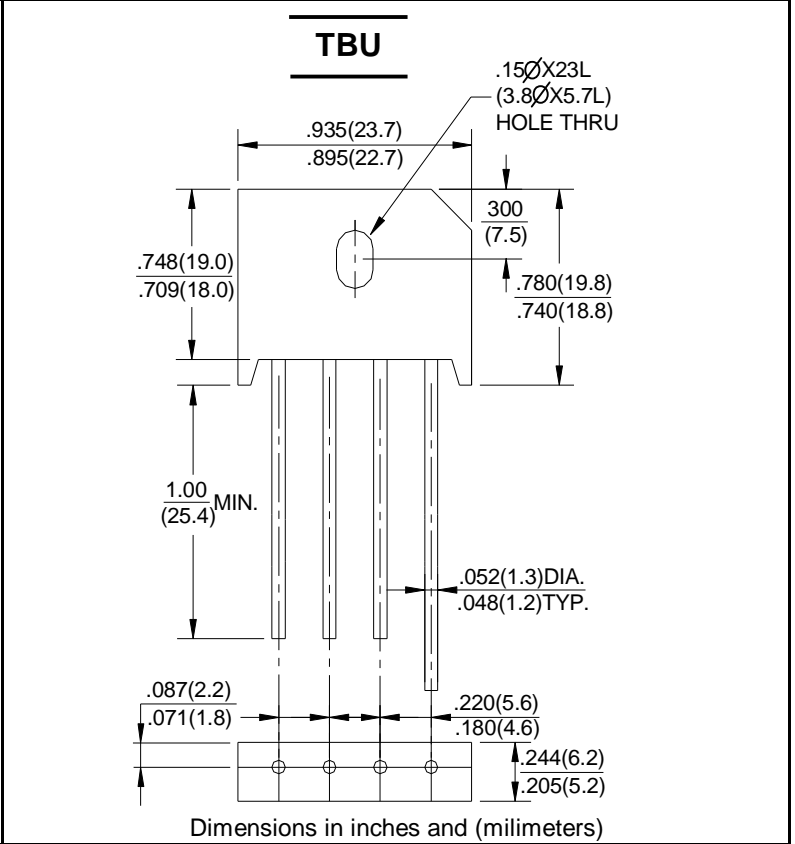


GLASS PASSIVATED BRIDGE RECTIFIERS	REVERSE VOLTAGE - 50 to 1000Volts FORWARD CURRENT - 10/15/25/35 Amperes
-----------------------------------------------	------------------------------------------------------------------------------------

FEATURES

- Surge overload rating -200~300 amperes peak
- Ideal for printed circuit board
- Reliable low cost construction utilizing molded plastic technique
- Plastic material has U/L flammability classification 94V-0
- Mounting position: Any



MAXIMUM RATINGS AND ELECTRICAL CHARACTERISTICS

Rating at 25°C ambient temperature unless otherwise specified.
 Single phase, half wave ,60Hz, resistive or inductive load.
 For capacitive load, derate current by 20%

CHARACTERISTICS	SYMBOL	TBU 10005G	TBU 1001G	TBU 1002G	TBU 1004G	TBU 1006G	TBU 1008G	TBU 1010G	UNIT	
		15005G	1501G	1502G	1504G	1506G	1508G	1510G		
Maximum Recurrent Peak Reverse Voltage	V _{RRM}	50	100	200	400	600	800	1000	V	
Maximum RMS Voltage	V _{RMS}	30	70	140	280	420	560	700	V	
Maximum DC Blocking Voltage	V _{DC}	50	100	200	400	600	800	1000	V	
Maximum Average Forward Rectified Current @ T _C =100°C (with heatsink Note 2) @ T _C =100°C (without heatsink)	I _(AV)	TBU 10G	10 3.0	TBU 15G	15 3.2	TBU 25G	25 3.6	TBU 35G	35 4.2	A
Peak Forward Surge Current 8.3ms Single Half Sine-Wave Super Imposed on Rated Load (JEDEC Method)	I _{FSM}	TBU 10G	200	TBU 15G	250	TBU 25G	300	TBU 35G	300	A
Maximum Forward Voltage at 5.0/7.5/12.5/17.5A DC	V _F	1.1							V	
Maximum DC Reverse Current at Rated DC Blocking Voltage @ T _J =25°C @ T _J =125°C	I _R	10 500							uA	
Operating Temperature Range	T _J	-55 to +150							°C	
Storage Temperature Range	T _{STG}	-55 to +150							°C	

NOTES: 1. Measured at 1.0MHz and applied reverse voltage of 4.0V DC.
 2. Device mounted on 100mm*100mm*1.6mm cu plate heatsink.

FIG. 1 – MAXIMUM FORWARD SURGE CURRENT

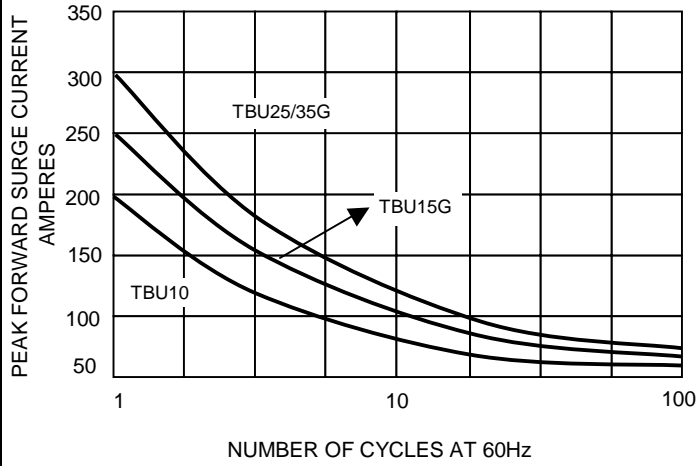


FIG. 2 – DERATING CURVE OUTPUT RECTIFIED CURRENT

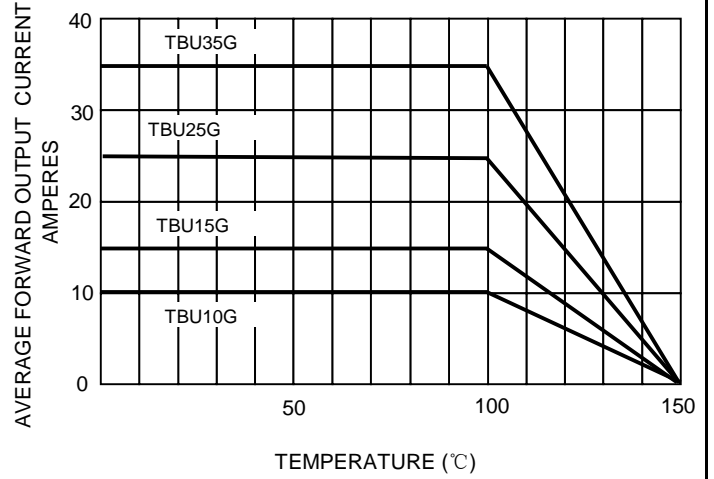


FIG.3– TYPICAL FORWARD CHARACTERISTICS

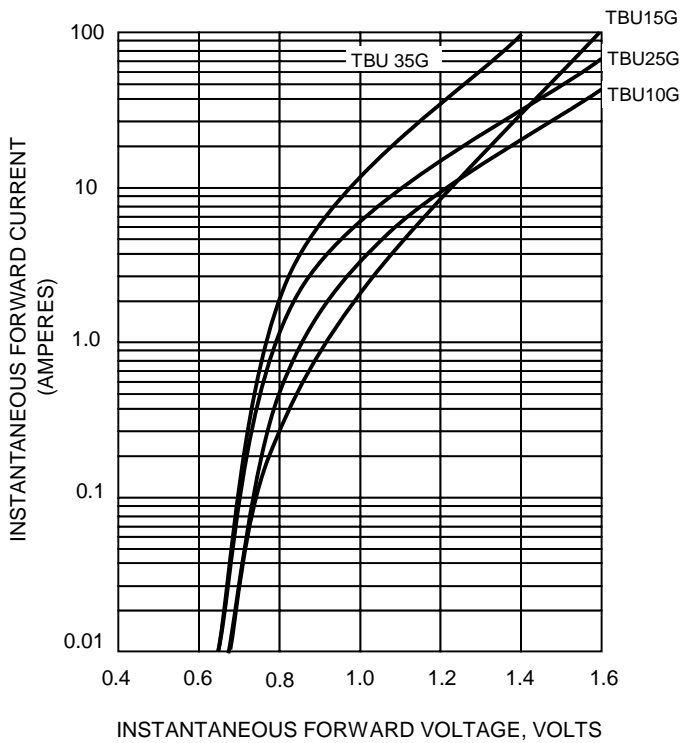


FIG.4– TYPICAL REVERSE CHARACTERISTICS

