

1.00mm

(0.039") PITCH CONNECTOR

FPC/FFC Connectors

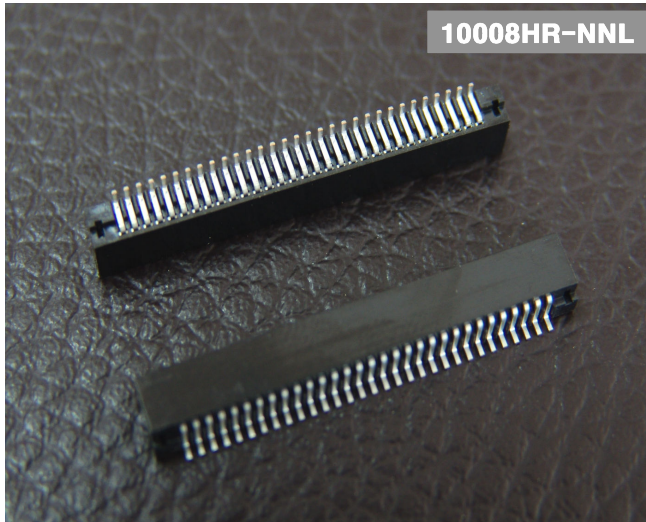
Housing

Emboss Type

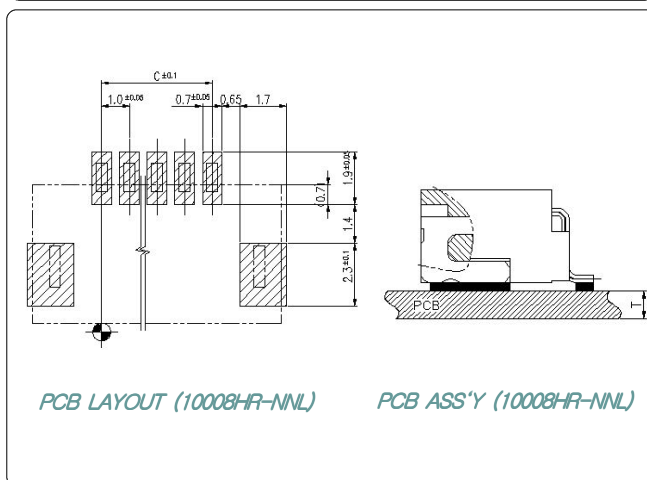
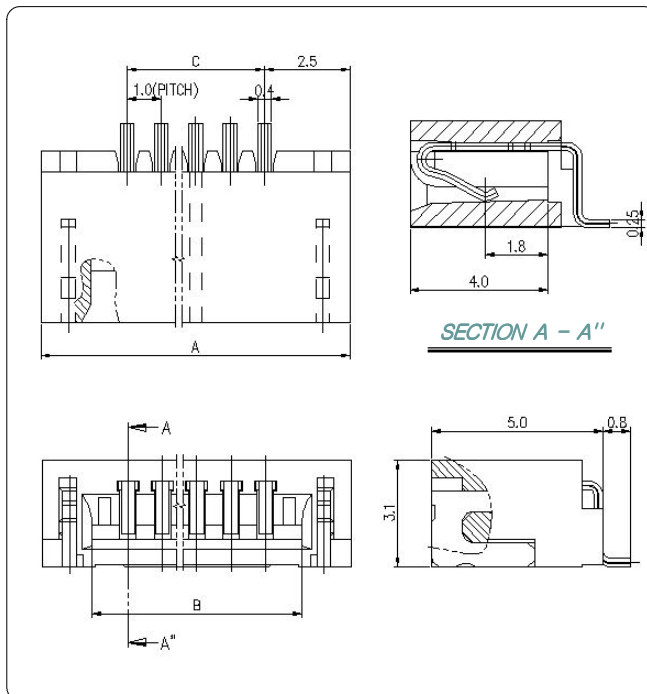
SMT Type

Top Contact

Non-ZIF Type



10008HR-NNL



PCB LAYOUT (10008HR-NNL)

PCB ASS'Y (10008HR-NNL)

Material

I/NO	DESCRIPTION	MATERIAL
1	HOUSING	PPS
2	TERMINAL	Phosphor Bronze, Tin-plated
3	HOOK	Brass, Tin-plated

Available Pin

PARTS NO.	A	B	C
10008HR-03L	7.00	4.10	2.00
10008HR-04L	8.00	5.10	3.00
10008HR-05L	9.00	6.10	4.00
10008HR-06L	10.0	7.10	5.00
10008HR-07L	11.0	8.10	6.00
10008HR-08L	12.0	9.10	7.00
10008HR-09L	13.0	10.1	8.00
10008HR-10L	14.0	11.1	9.00
10008HR-11L	15.0	12.1	10.0
10008HR-12L	16.0	13.1	11.0
10008HR-13L	17.0	14.1	12.0
10008HR-14L	18.0	15.1	13.0
10008HR-15L	19.0	16.1	14.0
10008HR-16L	20.0	17.1	15.0
10008HR-17L	21.0	18.1	16.0
10008HR-18L	22.0	19.1	17.0
10008HR-19L	23.0	20.1	18.0
10008HR-20L	24.0	21.1	19.0
10008HR-21L	25.0	22.1	20.0
10008HR-22L	26.0	23.1	21.0
10008HR-23L	27.0	24.1	22.0
10008HR-24L	28.0	25.1	23.0
10008HR-25L	29.0	26.1	24.0
10008HR-26L	30.0	27.1	25.0
10008HR-27L	31.0	28.1	26.0
10008HR-28L	32.0	29.1	27.0
10008HR-29L	33.0	30.1	28.0
10008HR-30L	34.0	31.1	29.0
10008HR-40L	44.0	41.1	39.0

Specification

ITEM	SPEC
Voltage Rating	AC/DC 50V
Current Rating	AC/DC 0.5A
Operating Temperature	-25°C ~ +85°C
Contact Resistance	30mΩ MAX
Withstanding Voltage	AC500V/1min
Insulation Resistance	100MΩ MIN
Applicable Wire	-
Applicable P.C.B	0.8 ~ 1.6mm
Applicable FPC/FFC	0.30±0.03mm
Solder Height	0.15mm
Crimp Tensile Strength	-
UL FILE NO	-