

HIGH TEMPERATURE 83C51 MICROCONTROLLER

HT83C51

FEATURES

- HTMOS Specified Over -55 to +225°C
- 8-bit CPU Optimized For 5 Volt Control Applications
- Four 8-bit Bidirectional Parallel Ports
- Three 16-bit Timer/Counters with One Up/Down Timer/Counter and Clock Out
- Programmable Counter Array with:
 - Capture/Compare
 - Software Timer with Watchdog Capability
 - High Speed Output
 - Pulse Width Modulator
- Interrupt Structure with Seven Sources and Four Priority Levels
- Half Duplex Programmable Serial Port with:
 - Framing Error Detection
 - Automatic Address Recognition
- 64K External Program Memory Address Space
- Hermetic 40-Pin Ceramic DIP
- 64K External Data Memory Address Space
- 256 Bytes Internal Data Memory
- 8K Byte Mask ROM
- On-Chip Oscillator
- MCS-51 Compatible Instruction Set

APPLICATIONS

- Down-Hole Oil Well
- Avionics
- Turbine Engine Control
- Industrial Process Control
- Nuclear Reactor
- Electric Power Conversion
- Heavy Duty Internal Combustion Engines

GENERAL DESCRIPTION

The HT83C51 is a monolithic 8-bit microcontroller that is pin equivalent to the Intel 8XC51FC microcontroller. Fabricated with Honeywell's dielectrically isolated high-temperature (HTMOS™) process, it is designed specifically for severe high-temperature applications such as down-hole oil well, aerospace, turbine engine and industrial control.

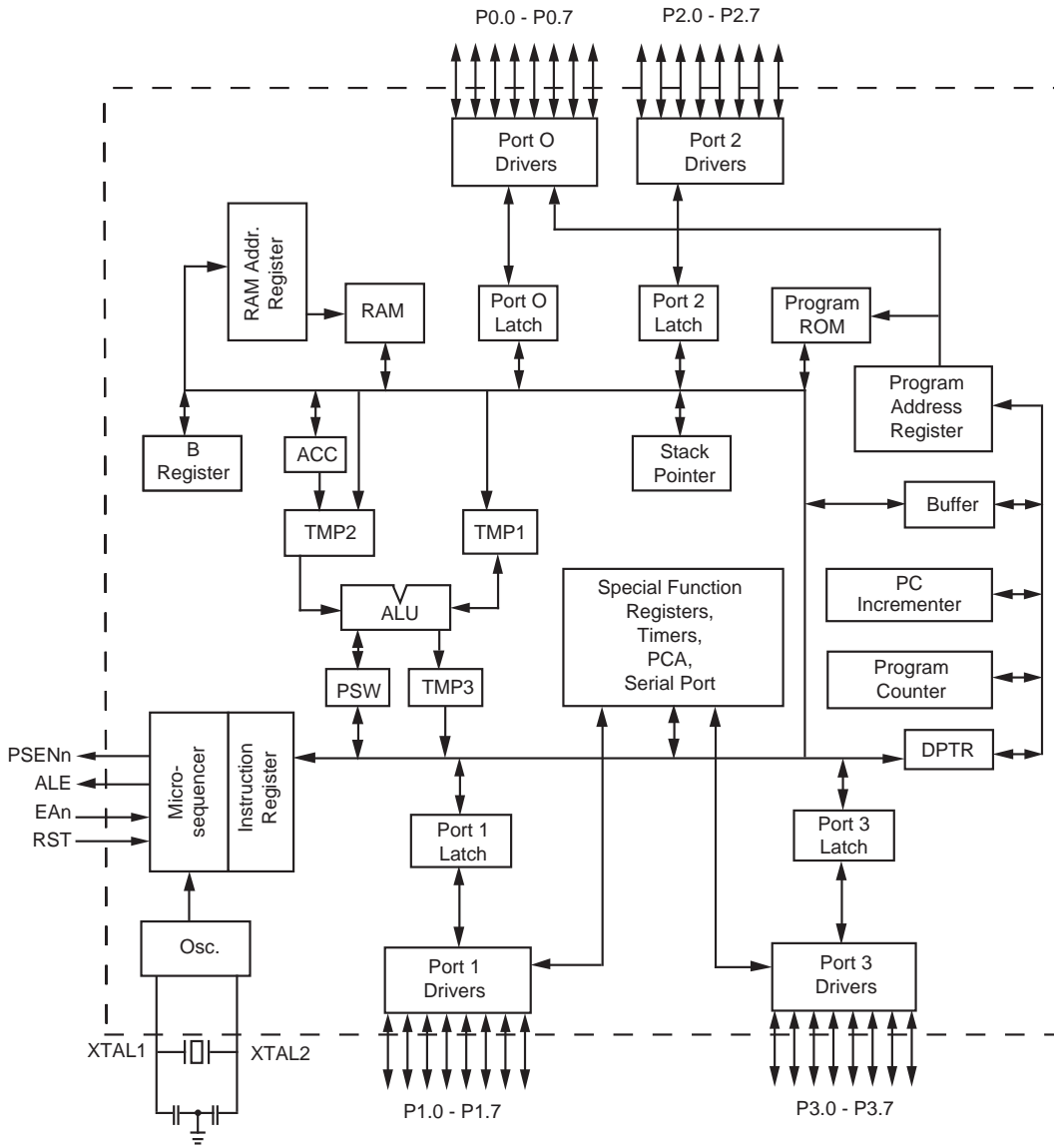
The HT83C51 uses the standard MCS-51 instruction set which is optimized for control applications. Pin-for-pin equivalent to the MCS-51 series product, it is compatible with all known development environments. Key features include the programmable counter array, watch dog timer, enhanced serial port for multi-processor communication

and a hierarchical interrupt structure. Software selectable idle is included for reduced power. The HT83C51 varies from the standard 83C51FC, in that it supports half-duplex serial communication, and has 8K Bytes of Mask programmable ROM. The device is available in a standard pinout DIP, with optional packages considered.

These microcontrollers provide guaranteed performance supporting operating frequencies in excess of 16 MHz over the full -55 to +225°C temperature range. Typically, parts will operate up to +300°C for a year, with derated performance. All parts are burned in at 250°C to eliminate infant mortality.

HT83C51

FUNCTIONAL BLOCK DIAGRAM



PIN DESCRIPTIONS

V_{DD}: +5V Supply Voltage

V_{SS}: Circuit Ground

Port 0 (P0.0 - P0.7): Port 0 is an 8-bit bidirectional I/O port. If external Program and/or Data memory are used, port 0 cannot be used for general purpose I/O. During accesses to external Program and Data memory Port 0 is used as the low-order multiplexed address and data bus. In this mode, Port 0 pins use strong internal pullups when emitting 1's, and are TTL compatible. If external Program and Data memory are not used, Port 0 pins can be used as general purpose I/O. When the Port pins have 1's written to them in I/O mode, the pins are floating and can be driven as inputs. An external pullup is required to generate logic high output in I/O mode.

Port 1 (P1.0 - P1.7): Port 1 is an 8-bit bidirectional I/O port with internal pullups. The output buffers can drive TTL loads. When the Port 1 pins have 1's written to them, they are pulled high by the internal pullups and can be used as inputs in this state. As inputs, any pins that are externally pulled low will source current because of the pullups. In addition, Port 1 pins have the alternate uses shown in the table below:

Port Pin	Name	Alternate Function
P1.0	T2	External clock input to timer/ Clock out
P1.1	T2EX	Timer/Counter 2 Capture/Reload trigger and direction control
P1.2	ECI	External count input to PCA
P1.3	CEX0	External I/O for PCA capture/compare Module 0
P1.4	CEX1	External I/O for PCA capture/compare Module 1
P1.5	CEX2	External I/O for PCA capture/compare Module 2
P1.6	CEX3	External I/O for PCA capture/compare Module 3
P1.7	CEX4	External I/O for PCA capture/compare Module 4

Port 2 (P2.0 - P2.7): Port 2 is an 8-bit bidirectional I/O port with internal pullups. The output buffers can drive TTL loads. When the Port 2 pins have 1's written to them, they are pulled high by the internal pullups and can be used as inputs in this state. As inputs, any pins that are externally pulled low will source current because of the pullups.

Port 2 is used as the high-order address byte during accesses to external Program Memory and during accesses to external Data Memory that use 16-bit addresses (i.e. MOVX @DPTR). It uses strong internal pullups when emitting 1's in this mode. During accesses to external Data Memory that use 8 bit addresses, Port 2 emits the contents of the P2 SFR.

Port 3 (P3.0 - P3.7): Port 3 is an 8-bit bidirectional I/O port with internal pullups. The output buffers can drive TTL

loads. When the Port 3 pins have 1's written to them, they are pulled high by the internal pullups and can be used as inputs in this state. As inputs, any pins that are externally pulled low will source current because of the pullups. In addition, Port 3 pins have the alternate uses shown in the table below:

Port Pin	Alternate Name	Alternate Function
P3.0	RXD	Serial port input
P3.1	TXD	Serial port output
P3.2	INT0n	External interrupt 0
P3.3	INT1n	External interrupt 1
P3.4	T0	External clock input for Timer 0
P3.5	T1	External clock input for Timer 1
P3.6	WRn	External Data Memory write strobe
P3.7	RDN	External Data Memory read strobe

RST: Reset input. A high on this input for 2 or more oscillator periods while the oscillator is running resets the device. All ports and Special Function Registers will be reset to their default conditions. Internal data memory is undefined after reset. Program execution will begin within 12 oscillator periods (one machine cycle) after the RST signal is brought low. RST contains an internal pulldown resistor to allow implementing power-up reset with only an external capacitor.

ALE: Address Latch Enable. The ALE output is a pulse for latching the low byte of the address during accesses to external memory. In normal operation the ALE pulse is output every 6th oscillator cycle and may be used for external timing or clocking. However, during each access to external Data Memory (MOVX instruction), one ALE pulse is skipped. If desired, ALE operation can be disabled by setting bit 0 of SFR 8EH. When this bit is set, ALE is active only during a MOVX instruction. Otherwise, the pin is held low. When ALE is disabled, program execution must be limited to the internal 8K program ROM.

PSENN: Program Store Enable. This active low signal is the read strobe to the external program memory. PSENN is activated every 6th oscillator cycle except that 2 PSENN activations are skipped during external data memory accesses.

EAn: External Access Enable. The EAn pin must be strapped to VSS for the HT51 to fetch code from external Program Memory locations 0000H to 1FFFH. The EAn pin must be strapped to VDD for internal program execution from memory locations 0000H to 1FFFH.

XTAL1: Input to the inverting oscillator amplifier.

XTAL2: Output from the inverting oscillator amplifier.

OSCILLATOR CHARACTERISTICS

The input is XTAL1 and the output is XTAL2 for an inverting amplifier which can be used as an on-chip oscillator as shown in Figure 1. Make sure to qualify the crystal or alternate timing source over the temperature range of the intended application. If an external clock source such as the HTOSC is used, XTAL1 should be driven while XTAL2 floats as shown in Figure 2. There are no duty cycle requirements on the external clock signal, but minimum and maximum high and low times must be observed.

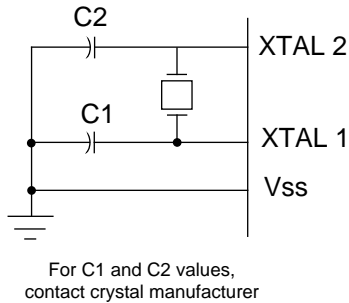


Figure 1. Oscillator Connections

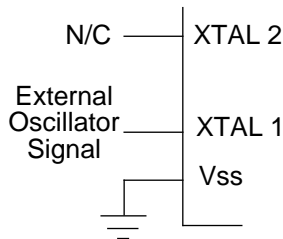


Figure 2. External Clock Drive Configuration

IDLE MODE

An instruction that sets the PCON.0-bit causes that to be the last instruction executed prior to going into Idle mode. In the Idle mode, the internal clock to the CPU is gated off but not to the Interrupt, Timer, and Serial Port functions. The PCA can be programmed to either pause or continue operating during Idle Mode. The CPU status is completely preserved and all registers maintain their previous values during Idle Mode. The port pins hold the logical values that they had at the time the Idle mode was activated. ALE and PSENn hold at logic high levels.

Idle mode can be terminated in two ways. Activation of any enabled interrupt will cause the PCON.0-bit to be cleared by hardware, terminating Idle mode. The interrupt will be serviced, and following the RETI instruction execution, the instruction after the one that caused Idle mode will be executed. Recovery from Idle mode is 3 oscillator periods plus 3 instruction cycles.

The other way that Idle mode can be terminated is through a hardware reset, which can be accomplished by holding the RST pin high for 4 clock periods while the clock is running. Exiting Idle mode with a hardware reset will retain the contents of the on-chip RAM but the values in the SFRs will be lost and program execution will begin at address 0.

MEMORY

The HT51 has a separate address space for Program and Data Memory. Internally the HT51 contains 8 Kbytes of Program Memory and 256 bytes of Data Memory. It can address up to 64 Kbytes of external Data Memory and 64 Kbytes of external Program Memory.

There are 8 Kbytes of internal program memory in the HT51. The EAn pin must be tied to Vdd (power) to enable access to internal program memory locations. When the EAn pin is tied to Vdd, program fetches to addresses 0000H to 1FFFH will be made to internal program ROM. Program fetches to addresses 2000H through FFFFH are to external memory. The EAn pin must be tied to Vss (ground) to enable access to external program memory locations 0000H through 1FFFH.

The HT51 implements 256 bytes of internal data RAM. The upper 128 bytes of this RAM occupy a parallel address space to the Special Function Registers (SFRs). The CPU determines if the internal access to an address above 7FH is to the upper 128 bytes of RAM or to the SFR space by the addressing mode of the instruction. If direct addressing is used, the access is to the SFR space. If indirect addressing is used, the access is to the internal RAM. Stack operations are indirectly addressed so the upper portion of RAM can be used as stack space.

TIMER/COUNTERS

The HT51 contains three 16-bit timer/counters. Each of these are made up of two 8-bit registers (THx, TLx where x = 0, 1, or 2). Each of these three can operate in either timer or counter mode. In the timer mode, the TLx register is incremented once every machine cycle (12 oscillator periods). The count rate is 1/12th of the oscillator frequency. In counter mode, the register is incremented when a 1 to 0 transition is detected on the alternate function input corresponding to that timer (Tx where x = 0, 1, or 2). The maximum rate of count in counter mode that the HT51 can detect is 1/24th of the oscillator frequency.

PCA COUNTER /TIMER

The Programmable Counter Array (PCA) contains a single 16-bit counter/timer made up of the CL and CH registers. This timer is used by all 5 capture/compare modules. Its clock input can be programmed to be from one of four sources. These are the oscillator frequency divided by 12, the oscillator frequency divided by 4, Timer 0 overflow, and an external clock input, ECI, on the alternate function of port pin P1.2.

SERIAL PORT

The serial port has physically separate receive and transmit buffers, automatic address recognition and four modes of operation as shown below.

Mode	Description	Baud Rate
0	8-bit shift register	1/12 times oscillator freq.
1	8-bit UART	variable
2	9-bit UART	1/64 or 1/32 times oscillator freq.
3	9-bit UART	variable

INTERRUPTS

There are seven interrupt sources in the HT51. Two are external interrupts (INT0n, INT1n), three are timer interrupts (Timer 0, Timer 1, and Timer2), one is a PCA interrupt, and one is a serial port interrupt as shown below.

- PCA interrupt enable
- Timer 2 interrupt enable
- Serial port interrupt enable
- Timer 1 interrupt enable
- External interrupt 1 enable
- Timer 0 interrupt enable
- External interrupt 0 enable

RESET

The reset input is the RST pin. A reset is accomplished by holding the RST pin high for a minimum of 4 clock periods while the clock is running. The CPU generates an internal reset from the external signal. The port pins are driven to the reset state 2 oscillator periods after a valid 1 is detected on the RST pin.

While RST is high, PSENn is pulled high, ALE is pulled low, and the port pins are pulled weakly high. All SFRs are reset to their reset values. The internal Data Memory content is not affected by reset. In addition, if the HT51 is in Idle or Power Down mode prior to activation of RST, the HT51 will be taken out of Idle or Power Down mode by the reset.

The processor will begin operation on the second machine cycle after the RST line is brought low. A memory access

will be made immediately after the RST line is brought low, but the data is not brought into the processor. The memory access will be repeated on the next machine cycle and actual processing will begin at that time.

INSTRUCTION SET

The instruction set for the HT51 is compatible to the Intel MCS-51 instruction set used on the 8XC51FC.

AC CHARACTERISTICS

The AC characteristics for the HT51 are shown in the following tables. Each of the timing symbols has 5 characters. The first character is always a 'T' (Time). The other characters, depending on their positions, stand for the logical name of a signal or the logical status of that signal. The following is a list of the characters and what they stand for:

A: Address	Q: OutputData
C: Clock	R: RDn signal
D: Data	T: Time
H: Logic level HIGH	V: Valid
I: Instruction (program memory contents)	W: WRn signal
L: Logic level LOW, or ALE level	X: No longer a valid logic
P: PSENn	Z: Float

For example, TAVLL = Time from address valid to ALE low. The characteristics given are over the operating conditions $T_A = -55^{\circ}\text{C}$ to $+225^{\circ}\text{C}$, $V_{DD} = 5\text{V} \pm 10\%$, $V_{SS} = 0\text{V}$. The load capacitance on Port 0, ALE and PSENn = 100 pF. Load capacitance for all other outputs = 50 pF. Inputs during AC testing are to be driven at $V_{DD} - 0.5\text{V}$ for logic 1 and 0.45 V for logic 0. Timing measurements are to be made at V_{IH} min for logic 1 and V_{IL} max for logic 0. For timing purposes, a port pin is no longer floating when a 100 mV change from load voltage occurs, and begins to float when a 100 mV change from the loaded V_{OL}/V_{OH} level occurs. Timing diagrams are shown to illustrate the signal relationships depicted in the tables.

HT83C51

DC CHARACTERISTICS

Symbol	Parameter	Min	Max	Unit	Test Conditions (3)
VIL	Input Low Voltage	VSS-0.3	0.8		
VIH	Input High Voltage (except XTAL1, RST)	2.0	VDD+0.5	V	
VIH1	Input High Voltage (XTAL1, RST)	3.85	VDD+0.5	V	
VOL	Output Low Voltage (1, 2) (Ports 1, 2, and 3)		0.3	V	IOL = 100 μ A
			0.45	V	IOL = 1.6 mA
			1.0	V	IOL = 3.5 mA
VOL1	Output Low Voltage (1, 2) (Port 0, ALE, PSENn)		0.3	V	IOL = 200 μ A
			0.45	V	IOL = 3.2 mA
			1.0	V	IOL = 7.0 mA
VOH	Output High Voltage (Port 1, 2, 3, ALE, PSENn)	4.2		V	IOH = -10 μ A
		3.8		V	IOH = -30 μ A
		3.0		V	IOH = -60 μ A
VOH1	Output High Voltage (Port 0)	4.2		V	IOH = -200 μ A
		3.8		V	IOH = -3.2 mA
		3.0		V	IOH = -7.0 mA
IIL	Logical 0 Input Current(Ports 1, 2, and 3)		-50	μ A	VIN = 0.45 V
ILI	Input Leakage Current (Port 0)		\pm 10	μ A	0.45 V < VIN < VDD
ITL	Logical 1 to 0 Transition Current(Ports 1, 2, and 3)		-650	μ A	VIN = 2 V
RRST	RST Pulldown Resistor	10	225	KW	
CIO	Pin Capacitance		10 typical	pF	@ 1 MHz, 25° C
IDD	Power Supply Current	Operating	70	mA	16 MHz
		Idle	15	mA	16 MHz

(1) Under steady state (non-transient conditions, IOL must be limited externally as follows:

maximum IOL per port pin	10mA
maximum IOL per 8-bit port	
– port 0	26 mA
– port 1,2,3	15 mA
maximum total IOL for all output pins	71 mA

(2) If IOL exceeds the test conditions, VOL may exceed the related specifications.

(3) Pins are not guaranteed to sink current greater than the listed test conditions.

ABSOLUTE MAXIMUM RATINGS (1)

Input Voltage, V _{DD} to V _{SS}	-0.5 V to 7.0 V
Voltage On Any Pin to V _{SS}	-0.5 V to V _{DD} +0.3 V
Power Dissipation	750 mW
Storage Temperature	-65 to +325°C
Lead Temperature (attachment, 10 sec)	355°C
IOL per Output Pin	15 mA

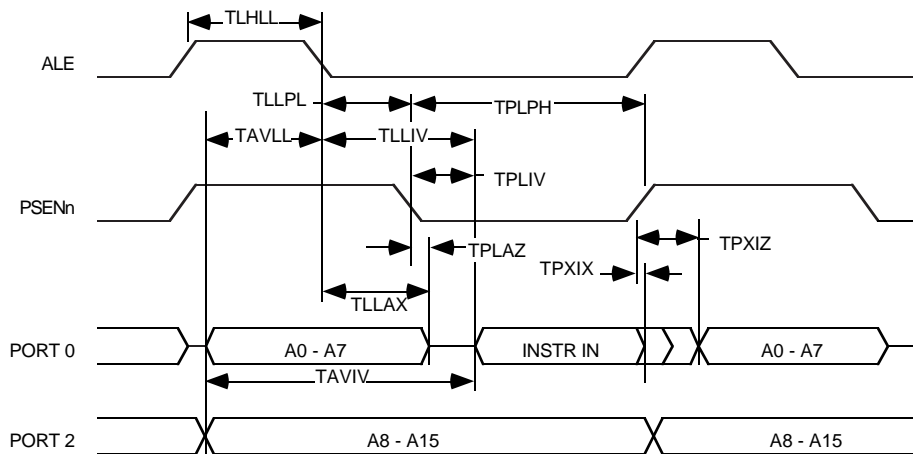
Stresses in excess of those listed above may result in permanent damage. These are stress ratings only, and operation at these levels is not implied. Frequent or extended exposure to absolute maximum conditions may effect device reliability.

EXTERNAL PROGRAM AND DATA MEMORY CHARACTERISTICS

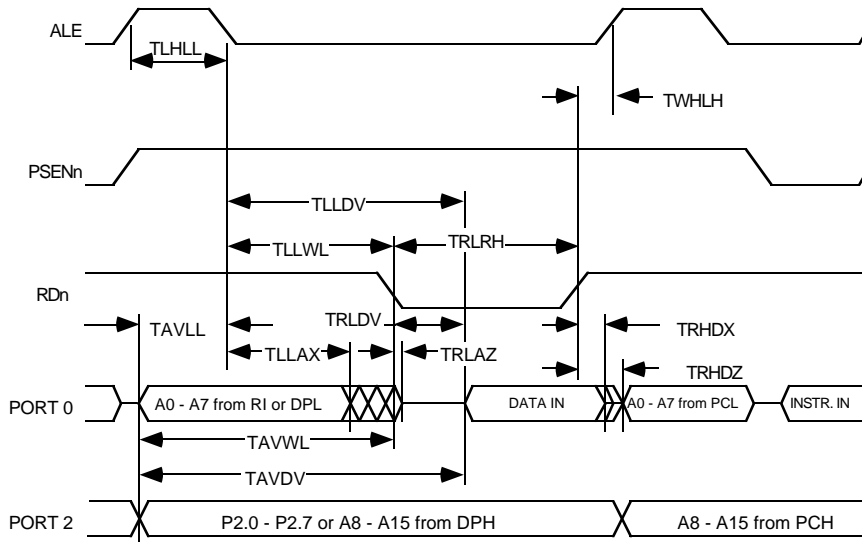
Symbol	Parameter	Min	Max	Unit
TCLCL	Clock Period	62.5		ns
1/TCLCL	Oscillator Frequency		16	MHz
TLHLL	ALE Pulse Width	2 TCLCL-40		ns
TAVLL	Address Valid to ALE Low	TCLCL-40		ns
TLLAX	Address hold after ALE low	TCLCL-30		ns
TLLIV	ALE low to Valid Instruction In		4 TCLCL-100	ns
TLLPL	ALE Low to PSEn Low	TCLCL-30		ns
TPLPH	PSEn Pulse Width	3 TCLCL-45		ns
TPLIV	PSEn low to Valid Instruction In		3 TCLCL-105	ns
TPXIX	Input Instruction hold after PSEn	0		ns
TPXIZ	Input Instruction Float After PSEn		TCLCL-25	ns
TAVIV	Address to Valid Instruction In		5 TCLCL-105	ns
TPLAZ	PSEn Low to Address Float		10	ns
TRLRH	RDn Pulse Width	6 TCLCL-100		ns
TWLWH	WRn Pulse Width	6 TCLCL-100		ns
TRLDV	RDn Low to Valid Data In		5 TCLCL-165	ns
TRHDX	Data Hold After RDn	0		ns
TRHDZ	Data Float After RDn		2 TCLCL-60	ns
TLLDV	ALE Low to Valid Data In		8 TCLCL-150	ns
TAVDV	Address to Valid Data In		9 TCLCL-165	ns
TLLWL	ALE Low to RDn or WRn Low	3 TCLCL-50	3 TCLCL+50	ns
TAVWL	Address Valid to WRn Low	4 TCLCL-130		ns
TQVWX	Data Valid Before WRn	TCLCL-50		ns
TWHQX	Data Hold After WRn	TCLCL-50		ns
TQVWH	Data Valid to WRn High	7 TCLCL-150		ns
TRLAZ	RDn Low to Address Float		0	ns
TWHLH	RDn or WRn High to ALE High	TCLCL-40	TCLCL+40	ns

HT83C51

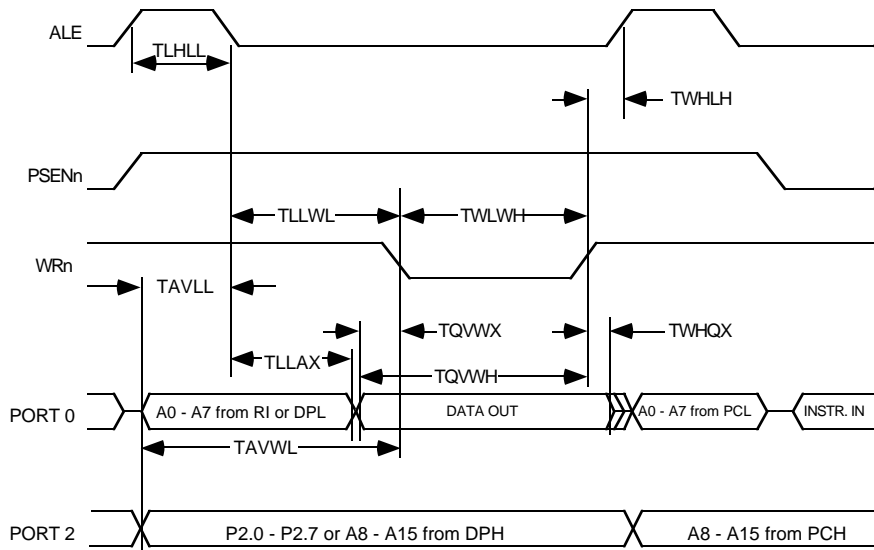
EXTERNAL PROGRAM MEMORY READ CYCLE



EXTERNAL DATA MEMORY READ CYCLE



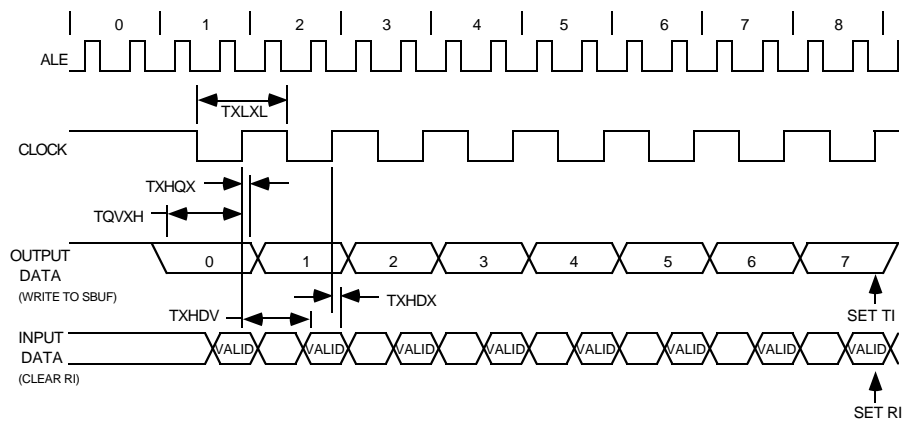
EXTERNAL DATA MEMORY WRITE CYCLE



SERIAL PORT TIMING CHARACTERISTICS—SHIFT REGISTER MODE (MODE 0)

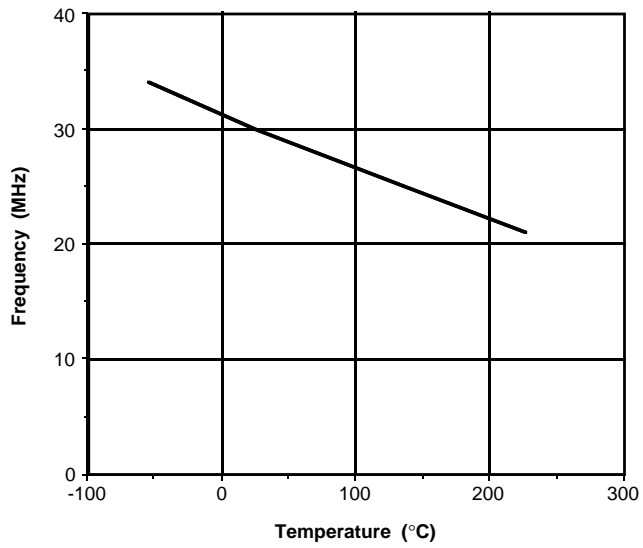
Symbol	Parameter	16 MHz Oscillator		Variable Oscillator		Unit
		Min	Max	Min	Max	
TXLXL	Serial Port Clock Period	750		12 TCLCL		ns
TQVXH	Output Data Setup to Clock Rising Edge	492		10 TCLCL-133		ns
TXHQX	Output Data Hold after Clock Rising Edge	8		2 TCLCL-117		ns
TXHDX	Input Data Hold after Clock Rising Edge	0		0		ns
TXHDV	Clock Rising Edge to Input Data Valid		492		10 TCLCL-133	ns

SERIAL PORT TIMING WAVEFORMS

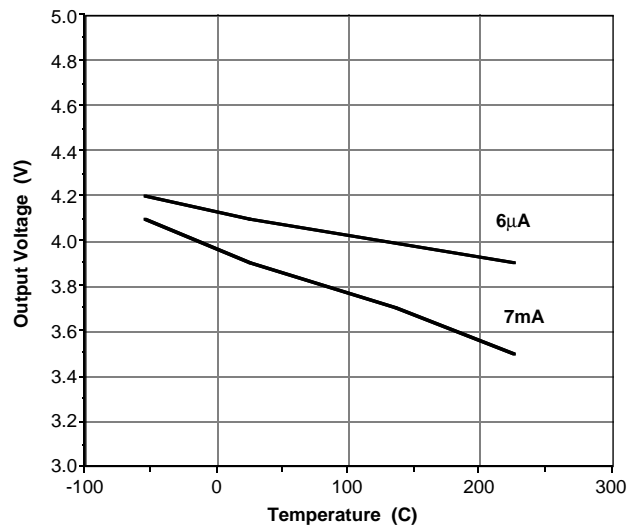


HT83C51

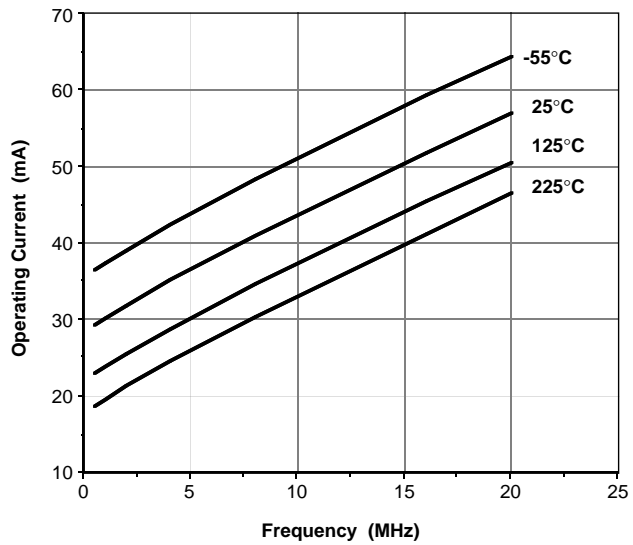
PERFORMANCE CURVES OVER TEMPERATURE



Maximum frequency vs. temperature



Output drive vs. temperature



Operating current vs. frequency vs. temperature

PROGRAMMING THE MASK ROM

The HT83C51 has 8K bytes of on-chip mask programmable ROM. The part is usable with or without this memory space personalised. Once the designer's code has been finalized, the ROM information can be transmitted to Honeywell for metal programming of these memory locations. A non-recurring fee is required to personalize the ROM and a quantity purchase commitment fulfilled.

DIFFERENCES BETWEEN INTEL 8XC51FC AND HT83C51

There are a few areas in which the HT51 differs from the 8XC51FC. These differences will be covered in this appendix. In this discussion, 8XC51FC will be used generically to refer to all speed grades of the Intel 8XC51FC family, including the 16MHz 8XC51FC-1.

1. Reset

The 8XC51FC requires the RST input to be held high for at least 24 oscillator periods to guarantee the reset is completed in the chip. Also, the port pins are reset asynchronously as soon as the RST pin is pulled high. On the HT51, all portions of the chip are reset synchronously when the RST pin has been high during 2 rising edges of the input clock.

When coming out of reset, the 8XC51FC takes 1 to 2 machine cycles to begin driving ALE and PSEn. The HT51 will begin driving ALE and PSEn 2 oscillator periods after the RST is removed but the access during the first machine cycle after reset is ignored by the processor. The second cycle will repeat the access and processing will begin.

2. Power Off Flag

The Power Off Flag in the PCON register has not been implemented in the HT51.

3. On Circuit Emulation

The On Circuit Emulation mode of operation in the 8XC51FC has not been implemented in the HT51.

4. Operating Conditions

The operating voltage range for the 8XC51FC is $5V \pm 20\%$. The operating temperature range is 0° to 70°C . On the HT51, the operating voltage range is $5V \pm 10\%$. The full speed operating temperature range is -55° to $+225^\circ\text{C}$; typically, parts will operate up to $+300^\circ\text{C}$ for a year, with derated performance.

5. DC Characteristics

VIL min for the 8XC51FC is -0.5V for all inputs except EAn which has a VIL min of 0V. The HT51 has a VIL min for all inputs of $V_{ss}-0.3V$.

6. Internal Program Memory

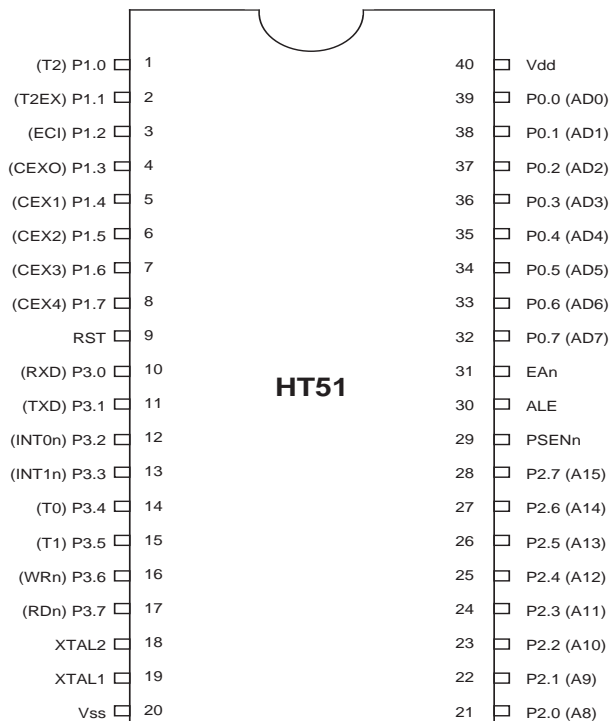
The 8XC51FC contains 32 Kbytes of internal program ROM (83C51FC) or EPROM (87C51FC). The HT51 contains 8 Kbytes of internal program ROM.

7. Serial Communications

There is a chance the part will miss hardware interrupts when performing full-duplex (simultaneous send and receive) communication or when using the capture or compare modes in the Programmable Counter Array (PCA).

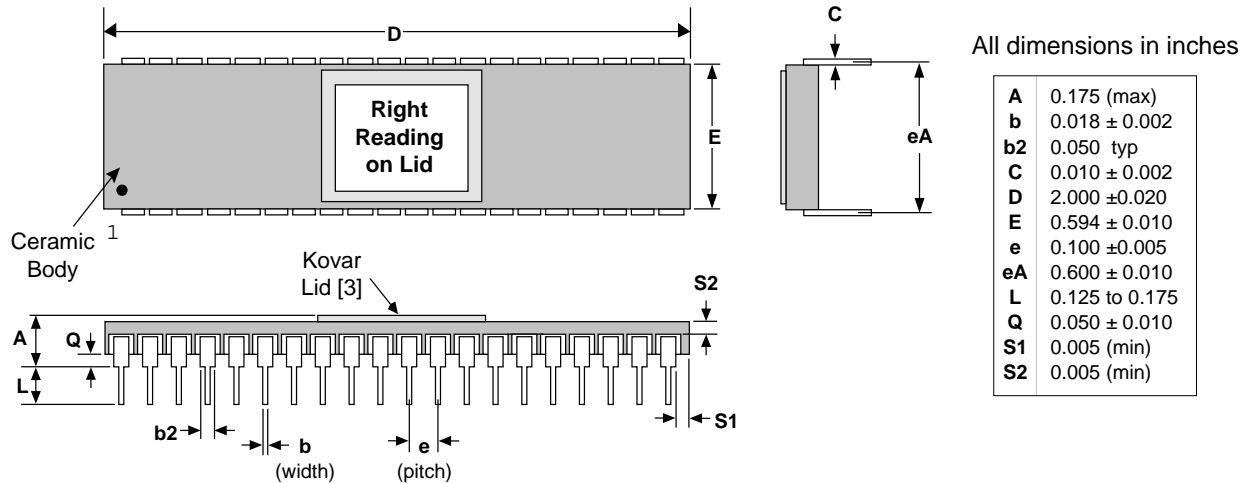
As a result, the HT83C51 supports half-duplex operation. Full duplex operation is not supported without additional external hardware. Several acceptable work-around procedures have been identified for the problem associated with the PCA.

PINOUT DIAGRAM



HT83C51

40-LEAD PACKAGE DETAIL



THERMAL CHARACTERISTICS

Assumes static air convection

θ_{jc} 0.9°C/W
 θ_{ja} 32.8°C/W

ORDERING INFORMATION

HT83C51DC

D - Indicates package type*
D = Standard DIP

C - Indicates screening level
B = High Temperature Class B
C = Commercial

*For packaging options, call Honeywell

**To learn more about Honeywell Solid State Electronics Center,
visit our web site at <http://www.ssec.honeywell.com>**

Honeywell reserves the right to make changes to any products or technology herein to improve reliability, function or design. Honeywell does not assume any liability arising out of the application or use of any product or circuit described herein; neither does it convey any license under its patent rights nor the rights of others.

Honeywell