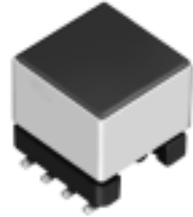
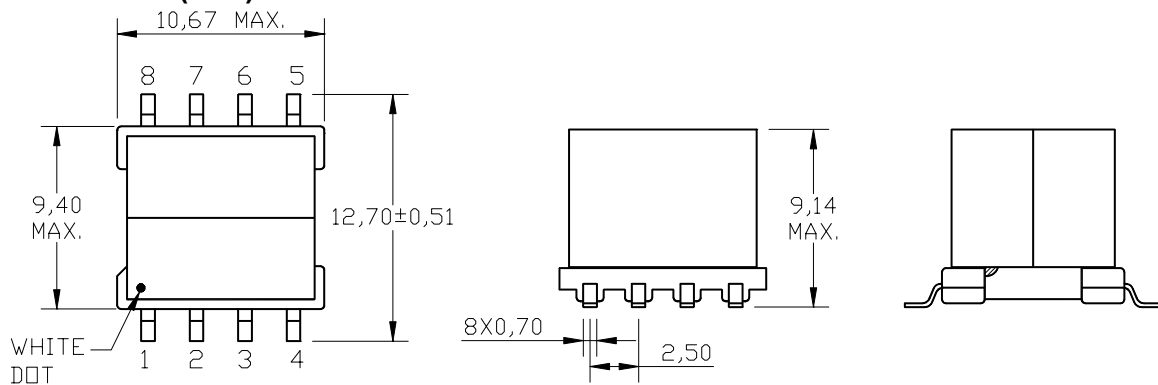
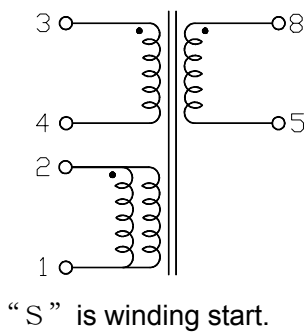
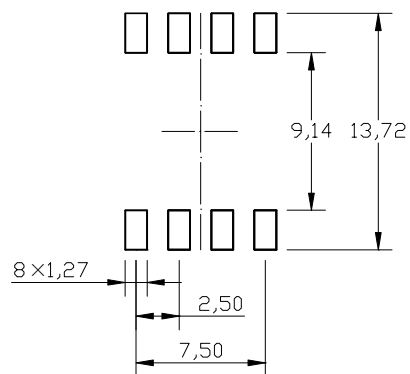


**Type: CEP79B**
**◆ Product Description**

- 10.5×8.6mm Max.(L×W), 6.6mm Max. Height.
- In addition to the typical versions of parameters shown here, custom parameters are available to meet your exact requirements


**◆ Feature**

- Max. Operating frequency 500KHz,Max. Operating Power 3.0W(500kHz).
- Ideally used in PoE transformer.
- RoHS Compliance

**◆ Dimensions (mm)**

**◆ Schematics (Bottom)**

**◆ Land Pattern (mm)**

**◆ Specification**

Sample No.	Turns Ratio (Pri:Sec:Aux)	Primary Inductance 100kHz/0.1V	Pri-Sec. Insulation	Leakage L (μ H Max.)	D.C.R. (Ω Max.)		
					Pri.	Aux.	Sec.
PS05-062	1:0.68:0.68	310 μ H ±25%	AC1500Vrms (1mA,1s/50,60Hz.)	5.0	3.60	1.60	0.55