

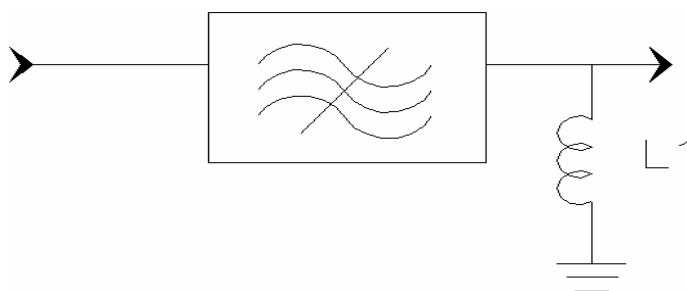
Specifications

| Parameter | Unit | Minimum | Typical | Maximum |
|----------------------------------|----------------------------|---------|---------|---------|
| Center Frequency | MHz | 130.60 | 130.75 | 130.90 |
| Insertion Loss | dB | - | 23.5 | 24.5 |
| 1 dB Bandwidth | MHz | - | 1.22 | - |
| 3 dB Bandwidth | MHz | 1.5 | 1.53 | - |
| 50 dB Bandwidth | MHz | - | 2.7 | 2.8 |
| Passband Variation | dB | - | 0.4 | 0.9 |
| Ultimate Rejection | dB | 50 | 55 | - |
| Absolute Delay | usec | - | 3.02 | - |
| Material Temperature coefficient | KHz/°C | 0.13 | | |
| Ambient Temperature | °C | 25 | | |
| Package Size | DIP2712 (27.0x12.8x4.7mm3) | | | |

Notes:

1. All specifications are based on the test circuit shown
2. In production, devices will be tested at room temperature to a guardbanded specification to ensure electrical compliance over temperature
3. Electrical margin has been built into the design to account for the variations due to temperature drift and manufacturing tolerances
4. This is the optimum impedance in order to achieve the performance show


Matching Configuration



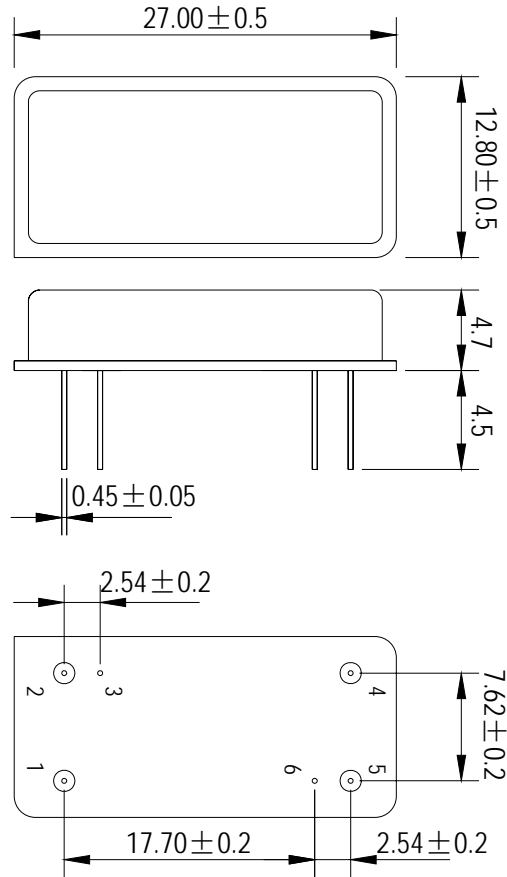
L1=47nH

Source/Load Impedance=50 ohm

Notes - Component values may change depending on board layout.

| | | | | |
|--|---|-------------|-----------|------|
|  | SIPAT Co., Ltd. (CETC No. 26 Research Institute) Nanping Huayuan Road No. 14 Chongqing, China, 400060 | Part Number | LBS13006 | |
| | | Rev. Date | 2005-8-26 | |
| | | Rev. | 1.0 | Page |

Package Dimension



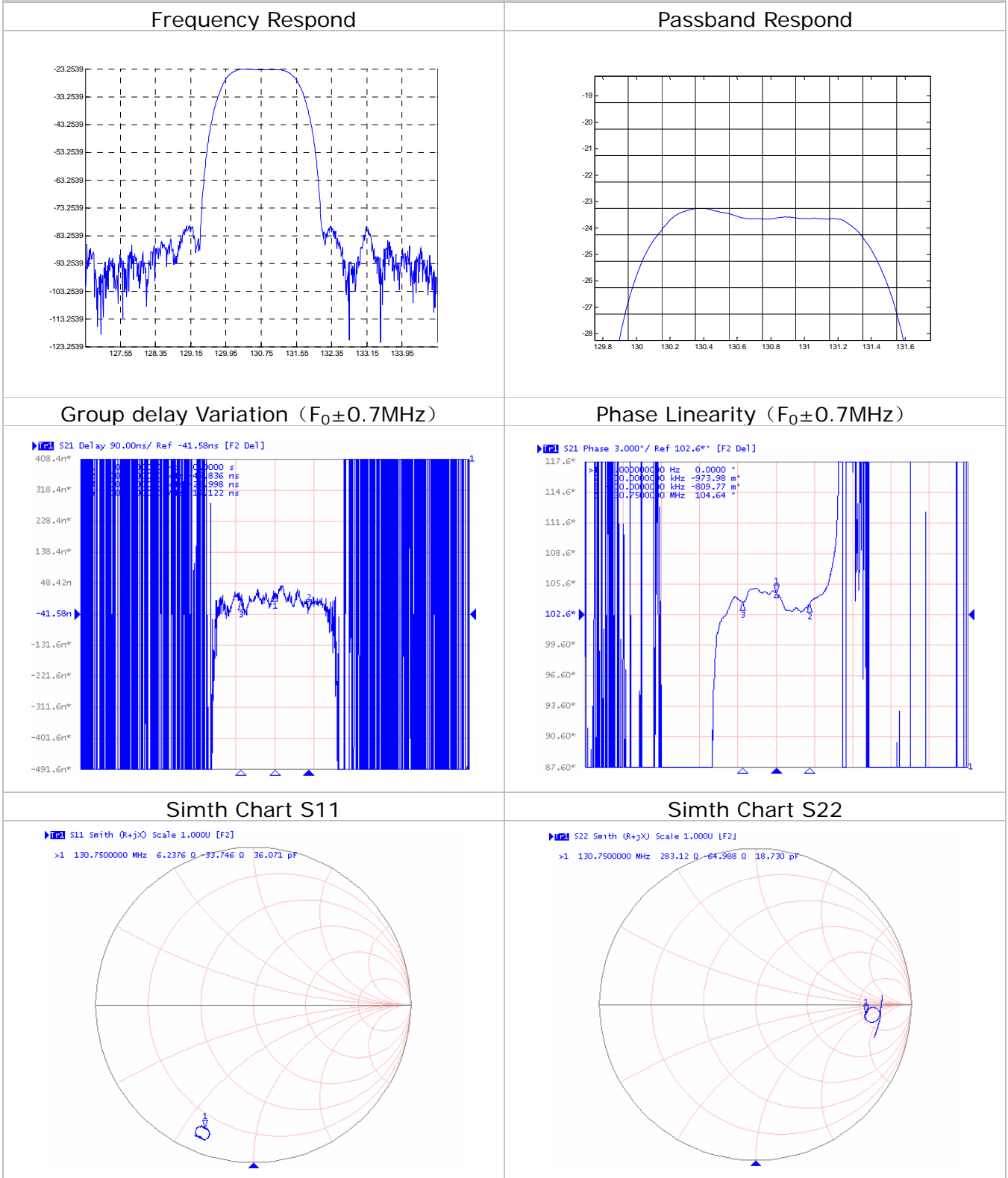
Input:1
Output:5



SIPAT Co., Ltd.
(CETC No. 26 Research Institute)
Nanping Huayuan Road No. 14
Chongqing, China, 400060

| | | |
|-------------|-----------|----------|
| Part Number | LBS13006 | |
| Rev. Date | 2005-8-26 | |
| Rev. | 1.0 | Page 2/3 |

Typical Performance



| | | |
|--|---|--|
| | <p>SIPAT Co., Ltd. (CETC No. 26 Research Institute) Nanping Huayuan Road No. 14 Chongqing, China, 400060</p> | <p>Part Number LBS13006</p> |
| | <p>Rev. Date 2005-8-26</p> | <p>Rev. 1.0</p> |
| | <p>Page 3/3</p> | <p>www.sipatsaw.com / sawmkt@sipat.com</p> |