



SANYO Semiconductors

DATA SHEET

LV5609LP

Bi-CMOS LSI
For CCD
Vertical Clock Driver

Overview

The LV5609LP is vertical clock driver for CCD.

Functions

- Ternary output ×2ch
- Binary output ×2ch
- SHT output ×1ch
- Output ON resistance : 30Ω typ

Specifications

Absolute Maximum Ratings at $T_a = 25^\circ\text{C}$, $V_{SS} = V_M = 0\text{V}$

Parameter	Symbol	Conditions	Ratings	Unit
Maximum supply voltage	V_{DD} max		6	V
	VH max		20	V
	VL max		-10	V
	VH-VL max		24	V
Allowable power dissipation	P_d max	with specified substrate *	0.8	W
Operating temperature	T_{opr}		-20 to +80	$^\circ\text{C}$
Storage temperature	T_{stg}		-40 to +125	$^\circ\text{C}$

* : Specified substrate : 40×50×0.8mm³, glass epoxy four-layer (2S2P) board

Allowable Operating Ratings at $T_a = 25^\circ\text{C}$, $V_{SS} = V_M = 0\text{V}$

Parameter	Symbol	Conditions	Ratings			Unit
			min	typ	max	
Supply voltage	V_{DD}		2.0	3.3	5.5	V
	VH			15	17	V
	VL		-8.5	-7.5	-4	V
	VH-VL				23.5	V
CMOS input High voltage	V_{INH}		$0.8V_{DD}$		V_{DD}	V
CMOS input Low voltage	V_{INL}		-0.1		0.4	V

■ Any and all SANYO Semiconductor products described or contained herein do not have specifications that can handle applications that require extremely high levels of reliability, such as life-support systems, aircraft's control systems, or other applications whose failure can be reasonably expected to result in serious physical and/or material damage. Consult with your SANYO Semiconductor representative nearest you before using any SANYO Semiconductor products described or contained herein in such applications.

■ SANYO Semiconductor assumes no responsibility for equipment failures that result from using products at values that exceed, even momentarily, rated values (such as maximum ratings, operating condition ranges, or other parameters) listed in products specifications of any and all SANYO Semiconductor products described or contained herein.

SANYO Semiconductor Co., Ltd.

TOKYO OFFICE Tokyo Bldg., 1-10, 1 Chome, Ueno, Taito-ku, TOKYO, 110-8534 JAPAN

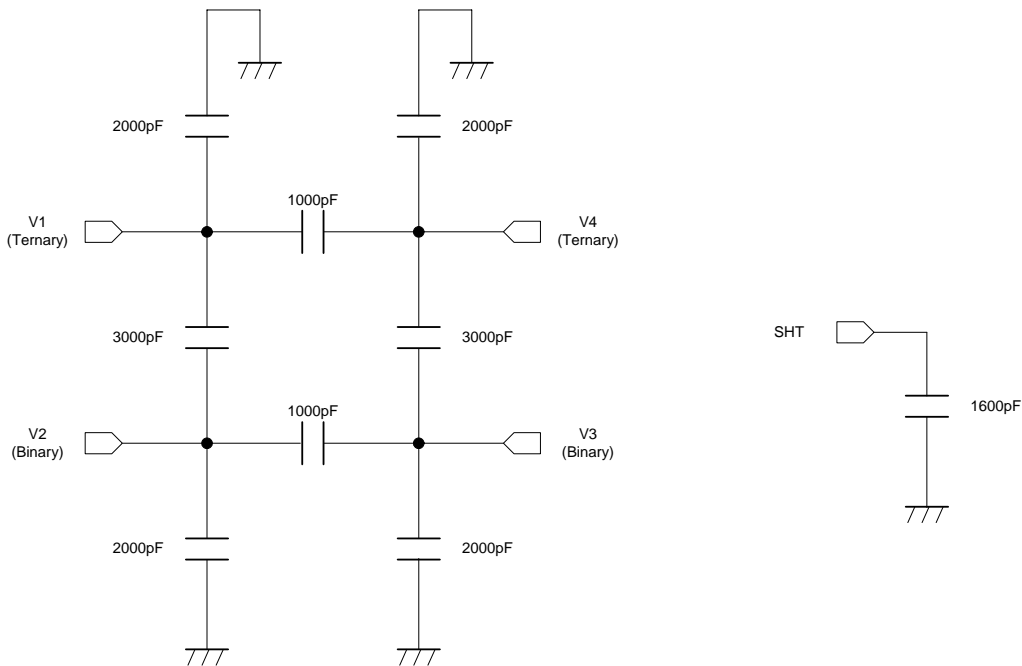
LV5609LP

Electrical Characteristics at $T_a = 25^\circ\text{C}$, $V_{DD} = 3.3\text{V}$, $V_{SS} = 0\text{V}$, $V_H = 15\text{V}$, $V_L = -7.5\text{V}$, $V_M = 0\text{V}$,
Unless otherwise specified

Parameter	Symbol	Conditions	Ratings			Unit
			min	typ	max	
Static current drain	I_{DD}	V_{DD} pin			1	μA
	I_H	V_H pin			10	μA
	I_L	V_L pin			1	μA
Dynamic current drain	I_{DD}	V_{DD} pin See *1 and *2.			1	mA
	I_H	V_H pin See *1 and *2.		2.4	4.5	mA
	I_L	V_L pin See *1 and *2.		3	5	mA
Output ON resistance	R_L	$I_O = +10\text{mA}$		20	30	Ω
	R_M	$I_O = \pm 10\text{mA}$		30	45	Ω
	R_H	$I_O = -10\text{mA}$		30	40	Ω
	R_{SHT}	$I_O = -10\text{mA}$		30	40	Ω
Propagation delay time	TPLM	No load			200	ns
	TPMH	No load			200	ns
	TPLH	No load			200	ns
	TPML	No load			200	ns
	TPHM	No load			200	ns
	TPHL	No load			200	ns
Rise time	TTLM	$V_L \rightarrow V_M$ V1, V3 See *1.			800	ns
		$V_L \rightarrow V_M$ V2, V4 See *1.			800	ns
	TTMH	$V_M \rightarrow V_L$ V1, V3 See *1.			800	ns
	TTLH	$V_L \rightarrow V_H$ SHT See *1.			200	ns
Fall time	TTML	$V_M \rightarrow V_L$ V1, V3 See *1.			800	ns
		$V_M \rightarrow V_L$ V2, V4 See *1.			800	ns
	TTHM	$V_H \rightarrow V_M$ V1, V3 See *1.			800	ns
	TTHL	$V_H \rightarrow V_L$ SHT See *1.			200	ns

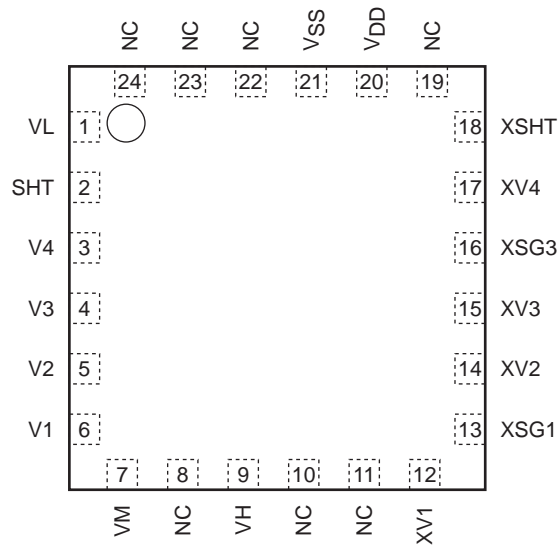
*1 : Refer to the CCD equivalent load shown below.

*2 : Refer to the timing waveform on Page 7.



LV5609LP

Pin Assignment

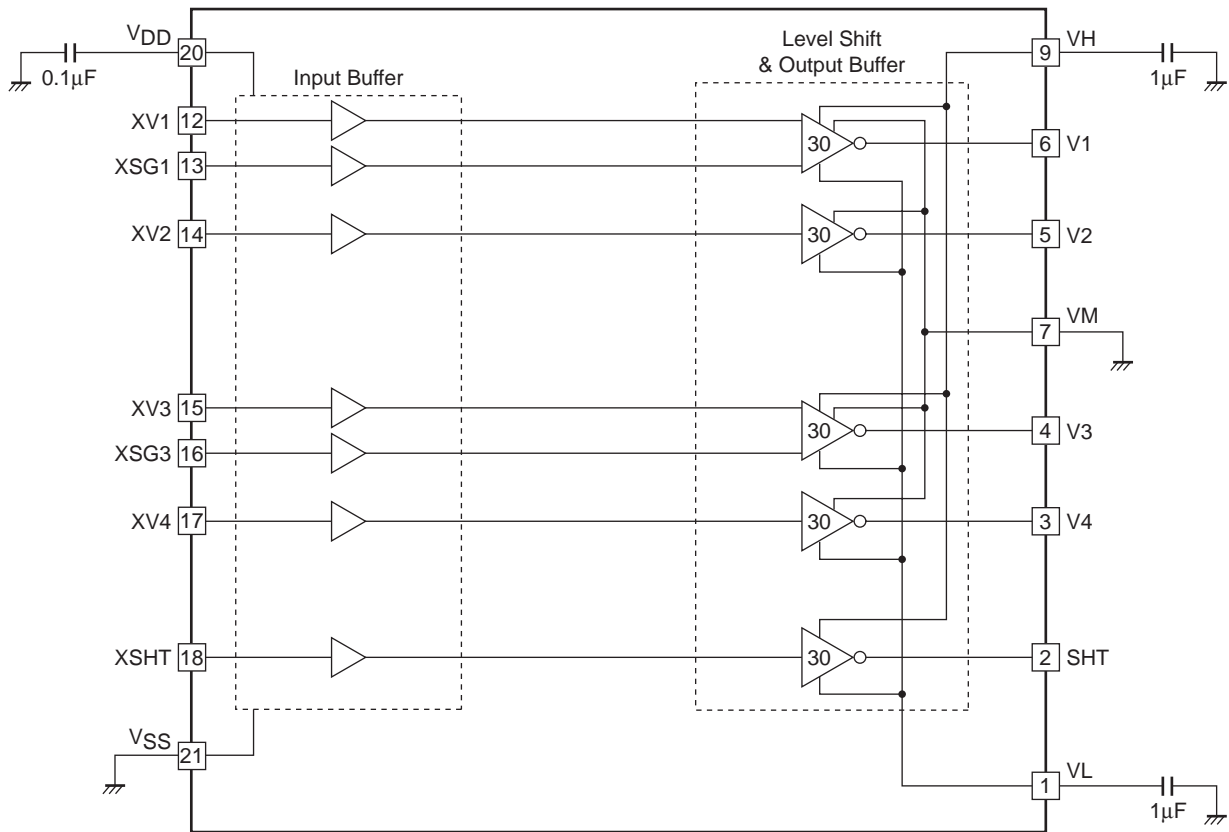


Pin Function

Pin No.	Name	Mode
1	VL	Lo power for output (-7.5V system)
2	SHT	Level shift output (binary VH, VL)
3	V4	Level shift output (binary VM, VL)
4	V3	Level shift output (ternary VH, VM, VL)
5	V2	Level shift output (binary VM, VL)
6	V1	Level shift output (ternary VH, VM, VL)
7	VM	GND for output
8	NC	
9	VH	Hi power supply for output (15V system)
10	NC	
11	NC	
12	XV1	V1 transfer pulse input
13	XSG1	V1 read pulse input
14	XV2	V2 transfer pulse input
15	XV3	V3 transfer pulse input
16	XSG3	V3 read pulse input
17	XV4	V4 transfer pulse input
18	XSHT	SHT pulse input
19	NC	
20	V _{DD}	Power supply for input buffer (3.3V system)
21	V _{SS}	GND for input buffer
22	NC	
23	NC	
24	NC	

LV5609LP

Block Diagram

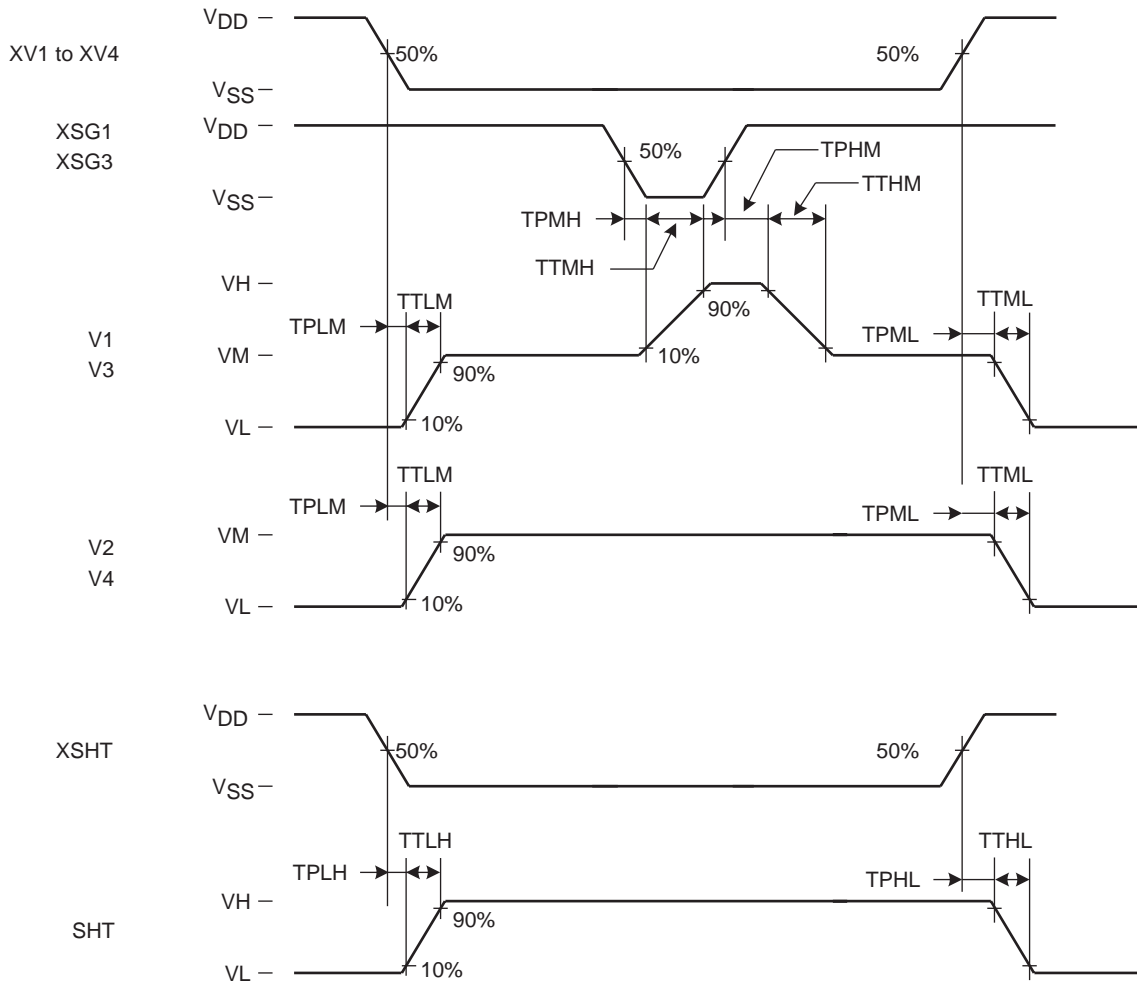


Logical Function Table

Input				Output		
XV1 XV3	XSG1 XSG3	XV2 XV4	XSHT	V1 V3	V2 V4	SHT
L	L	X	X	VH	X	X
L	H	X	X	VM	X	X
H	L	X	X	VL	X	X
H	H	X	X	VL	X	X
X	X	L	X	X	VM	X
X	X	H	X	X	VL	X
X	X	X	L	X	X	VH
X	X	X	H	X	X	VL

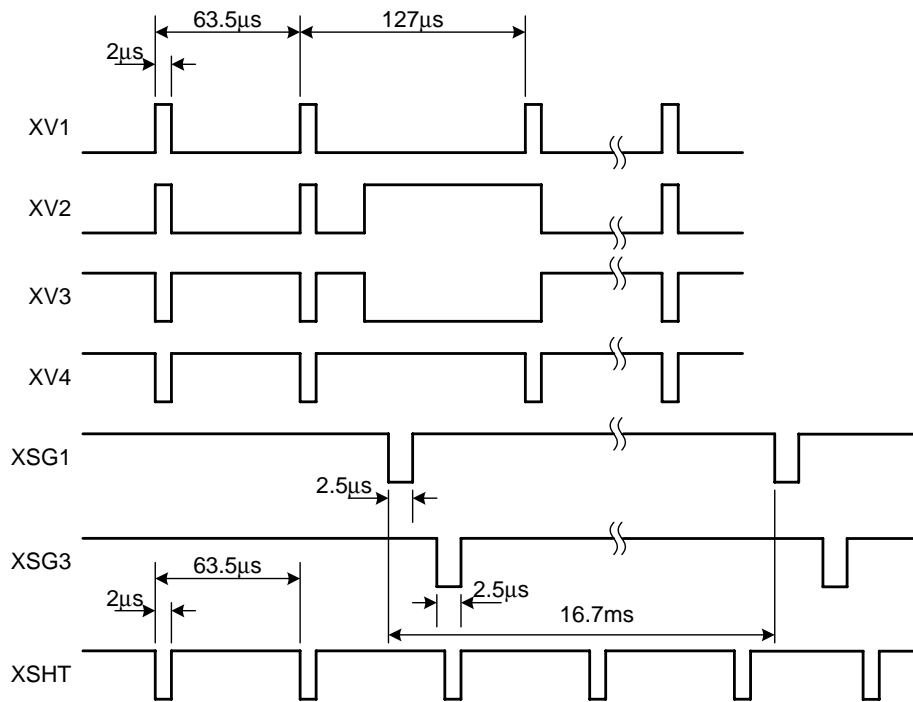
LV5609LP

Timing Chart

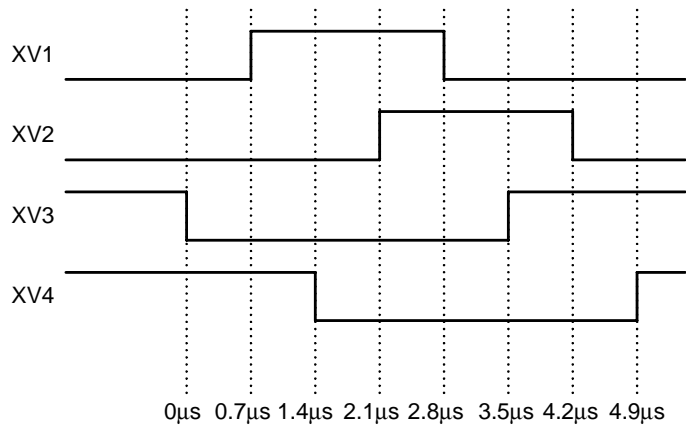


LV5609LP

CCD Equivalent Load Measurement Timing Waveform



Enlarged View of overlapped portion



- Specifications of any and all SANYO Semiconductor products described or contained herein stipulate the performance, characteristics, and functions of the described products in the independent state, and are not guarantees of the performance, characteristics, and functions of the described products as mounted in the customer's products or equipment. To verify symptoms and states that cannot be evaluated in an independent device, the customer should always evaluate and test devices mounted in the customer's products or equipment.
- SANYO Semiconductor Co., Ltd. strives to supply high-quality high-reliability products. However, any and all semiconductor products fail with some probability. It is possible that these probabilistic failures could give rise to accidents or events that could endanger human lives, that could give rise to smoke or fire, or that could cause damage to other property. When designing equipment, adopt safety measures so that these kinds of accidents or events cannot occur. Such measures include but are not limited to protective circuits and error prevention circuits for safe design, redundant design, and structural design.
- In the event that any or all SANYO Semiconductor products (including technical data, services) described or contained herein are controlled under any of applicable local export control laws and regulations, such products must not be exported without obtaining the export license from the authorities concerned in accordance with the above law.
- No part of this publication may be reproduced or transmitted in any form or by any means, electronic or mechanical, including photocopying and recording, or any information storage or retrieval system, or otherwise, without the prior written permission of SANYO Semiconductor Co., Ltd.
- Any and all information described or contained herein are subject to change without notice due to product/technology improvement, etc. When designing equipment, refer to the "Delivery Specification" for the SANYO Semiconductor product that you intend to use.
- Information (including circuit diagrams and circuit parameters) herein is for example only; it is not guaranteed for volume production. SANYO Semiconductor believes information herein is accurate and reliable, but no guarantees are made or implied regarding its use or any infringements of intellectual property rights or other rights of third parties.

This catalog provides information as of March, 2007. Specifications and information herein are subject to change without notice.