

FLASH Memory Programming Specification

This document includes the programming specifications for the following device:

PIC16F72

1.0 PROGRAMMING THE PIC16F72

The PIC16F72 is programmed using a serial method. The Serial mode allows the PIC16F72 to be programmed while in the users' system, allowing for increased design flexibility. This programming specification applies to PIC16F72 devices in all packages.

1.1 Hardware Requirements

The PIC16F72 requires two programmable power supplies, one for VDD (2.0V to 5.5V) and the other for VPP of 12.75V to 13.25V. Both supplies should have a minimum resolution of 0.25V.

1.2 Programming Mode

The Programming mode for the PIC16F72 allows programming of user program memory, special locations used for ID, and the configuration word.

Pin Diagram

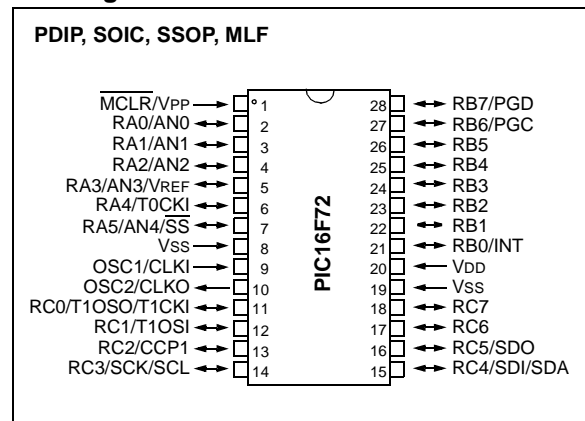


TABLE 1-1: PIN DESCRIPTIONS (DURING PROGRAMMING): PIC16F72

Pin Name	During Programming		
	Function	Pin Type	Pin Description
RB6/PGC	CLOCK	I	Clock Input
RB7/PGD	DATA	I/O	Data Input/Output
MCLR/VPP	VTEST MODE	P	Program Mode Select
VDD	VDD	P	Power Supply
VSS	VSS	P	Ground

Legend: I = Input, O = Output, P = Power

PIC16F72

2.0 PROGRAM MODE ENTRY

2.1 User Program Memory Map

The user memory space extends from 0x0000 to 0x07FF (2K). Table 2-1 shows the actual implementation of program memory in the PIC16F72. Configuration memory begins at 0x2000, and continues to 0x3FFF. The PC will increment from 0x0000 to 0x1FFF and wrap to 0x0000, 0x2000 to 0x3FFF and wrap around to 0x2000 (not to 0x0000).

Once in configuration memory, the highest bit of the PC stays a '1', thus, always pointing to the configuration memory. The only way to point to program memory is to reset the part and re-enter Program/Verify mode, as described in Section 2.3.

Configuration memory is selected when the PC points to any address in the range of 0x2000-0x201F; however, only locations 0x2000 through 0x2007 are implemented. Addressing locations beyond 0x201F will access program memory (see Figure 2-1).

TABLE 2-1: PROGRAM MEMORY IMPLEMENTATION IN THE PIC16F72

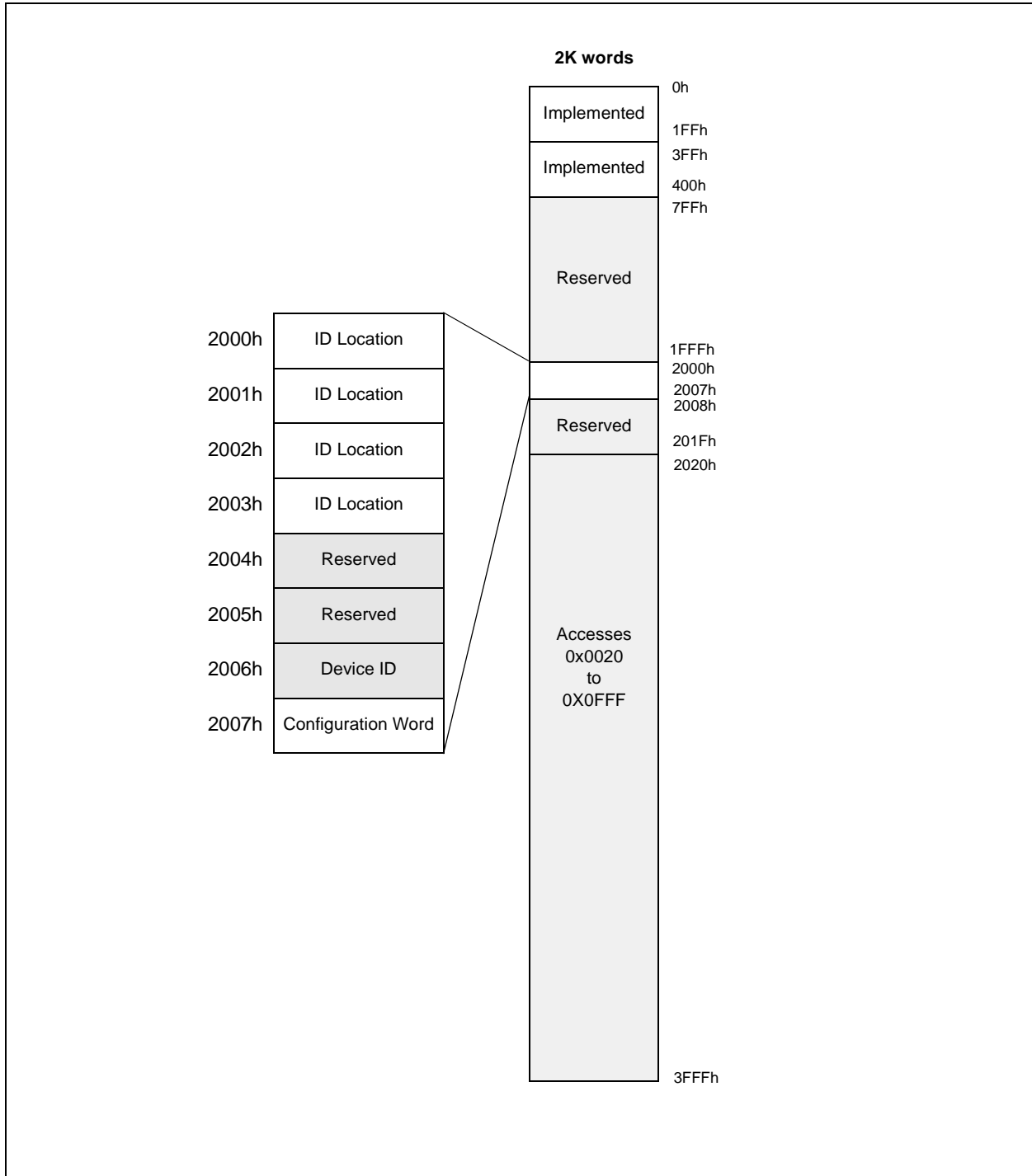
Device	Program Memory Size
PIC16F72	0x0000 – 0x07FF (2K)

2.2 ID Locations

A user may store identification information (ID) in four ID locations mapped to [0x2000:0x2003]. It is recommended that each ID location word is written as '11 1111 1000 bbbb', where 'bbbb' is ID information. The ID locations can be read even after code protection is enabled.

To understand the program memory read mechanism after code protection is enabled, refer to Section 4.0. Table 4-1 shows specific calculations and behavior for the PIC16F72 device.

FIGURE 2-1: PROGRAM MEMORY MAPPING



PIC16F72

2.3 Program/Verify Mode

The Program/Verify mode is entered by holding pins RB6 and RB7 low, while raising $\overline{\text{MCLR}}$ pin from V_{IL} to V_{PP} . Once in this mode, the user program memory and the configuration memory can be accessed and programmed in serial fashion (RB6 and RB7 are Schmitt Trigger inputs in this mode).

The sequence that enters the device into the Programming/Verify mode places all other logic into the RESET state. All I/O are in the RESET state (high impedance inputs).

A device RESET will clear the PC and point to address 0x0000. The 'Increment Address' command will increment the PC. The 'Load Configuration' command will set the PC to 0x2000. The available commands are shown in Table 2-2.

The normal sequence for programming two program memory words at a time is as follows:

1. Issue the 'Load Data' command to load a word at the current (even) program memory address.
2. Issue an 'Increment Address' command.
3. Load a word at the current (odd) program memory address using the 'Load Data' command.
4. Issue a 'Begin Programming' command to begin programming.
5. Wait tprog (about 1 ms).
6. Issue an 'End Programming' command.
7. Increment to the next address.
8. Repeat this sequence as required to write program and configuration memory.

The alternative sequence for programming one program memory word at a time is as follows:

1. Set a word for the current memory location using the 'Load Data' command.
2. Issue a 'Begin Programming' command to begin programming.
3. Wait tprog.
4. Issue an 'End Programming' command.
5. Increment to the next address.
6. Repeat this alternative sequence as required to write program and configuration memory.

The address and program counter is reset to 0x0000 by resetting the device (taking $\overline{\text{MCLR}}$ below V_{IL}) and re-entering Programming mode. Program and configuration memory may then be read or verified using the 'Read Data' and 'Increment Address' commands.

2.3.1 SERIAL PROGRAM/VERIFY OPERATION

RB6 is used as a clock input pin, and RB7 is used for entering command bits and data input/output. To enter a command, the clock pin (RB6) is pulsed six times. Each command bit is latched on the falling edge of the clock (RB6), with the Least Significant bit (LSb) of the command being entered first. The data on pin RB7 needs a minimum setup (tset1) and hold time (thold1), with respect to the falling edge of the clock. The read and load commands are specified to have a minimum delay (tdly1) between the command and data. After this delay, the clock pin is cycled 16 times with the first cycle being a START bit (0) and the last cycle being a STOP bit (0). Data is transferred LSb first (see Figure 5-1).

During a read operation, the LSb will be output to pin RB7 on the rising edge of the second clock pulse and during a load operation, the LSb will be latched on the falling edge of the second clock pulse. A minimum delay (tdly2) is required between consecutive commands (see Figure 5-2).

To allow for decoding of commands and reversal of data pin configuration, a time separation of at least (tdly1) is required between a command and a data word, or another command (see Figure 5-3).

The available commands are listed below:

- Load Configuration
- Load Data for Memory
- Read Data from Memory
- Increment Address
- Begin Programming
- Bulk Erase Program Memory
- End Programming

TABLE 2-2: COMMAND MAPPING FOR PIC16F72

Command	Mapping (MSb ... LSb)						Data
Load Configuration (Set PC = 2000h)	X	X	0	0	0	0	0, data (14), 0
Load Data for Memory	X	X	0	0	1	0	0, data (14), 0
Read Data from Memory	X	X	0	1	0	0	0, data (14), 0
Increment Address	X	X	0	1	1	0	
Begin Programming	X	X	1	0	0	0	
Bulk Erase Program Memory (Chip Erase)	X	X	1	0	0	1	
End Programming	X	X	1	1	1	0	

2.3.1.1 Load Configuration

After receiving the Load Configuration command, the PC will be set to 0x2000 and the data sent with the command is discarded. The four ID locations and the configuration word can then be programmed using the normal programming sequence, as described in Section 2.3. A description of the memory mapping schemes of the program memory for normal operation and Configuration mode operation is shown in Figure 2-1. After the configuration memory is entered, the only way to get back to the user program memory is to exit the Program/Verify Test mode by taking $\overline{\text{MCLR}}$ low.

2.3.1.2 Load Data for Memory

The device will load in a 14-bit “data word” when 16 cycles are applied, as described previously. A timing diagram for the load data command is shown in Figure 5-1.

2.3.1.3 Read Data from Memory

The device will transmit data bits out of the memory (program or configuration) currently addressed by the PC, starting with the second rising edge of the clock input. RB7 will go into Output mode on the second rising clock edge and will revert back to Input mode (hi-impedance) after the 16th rising edge. A timing diagram for this command is shown in Figure 5-2.

If the device is code protected, user program memory will read all ‘0’s. Configuration memory can still be read.

2.3.1.4 Increment Address

The PC is incremented by one. A timing diagram for this command is shown in Figure 5-3.

2.3.1.5 Begin Programming

A ‘Load Data’ command must be issued before every ‘Begin Programming’ command. Programming of memory (configuration or program) will begin after this command is received and decoded. Programming requires (tprog) time and is terminated using an ‘End Programming’ command.

2.3.1.6 Chip Erase (Program Memory)

Erasure of configuration and program memory begins after this command is received and decoded. The erase sequence is self-timed and it is not necessary to issue an ‘End Programming’ command, only to wait for the appropriate time interval (tera) for the entire erase sequence, before issuing another command.

This procedure will disable code protection (code protect bit = 1); however, all data within the program memory will be erased when this command is executed and thus, the security of the data or code is not compromised.

Note: All CHIP ERASE operations must take place with VDD between 4.75V and 5.25V.

2.4 Programming Algorithm Requires Variable VDD

The PIC16F72 uses an intelligent algorithm, which calls for program verification at VDDAPP.

The actual chip erase and programming must be done with VDD in the VDDP range (see Table 5-1).

VDDP = VDD range required during programming

VDDAPP = VDD in the target application

Programmers must verify the PIC16F72 at VDDAPP. Since Microchip may introduce future versions of the PIC16F72 with a broader VDD range, it is best that these levels are user selectable (defaults are OK).

Note: Any programmer not meeting this requirement may only be classified as a “prototype” or “development” programmer, but not a “production quality” programmer.

PIC16F72

FIGURE 2-2: PROGRAMMING METHOD FLOW CHART (SHEET 1 OF 3)

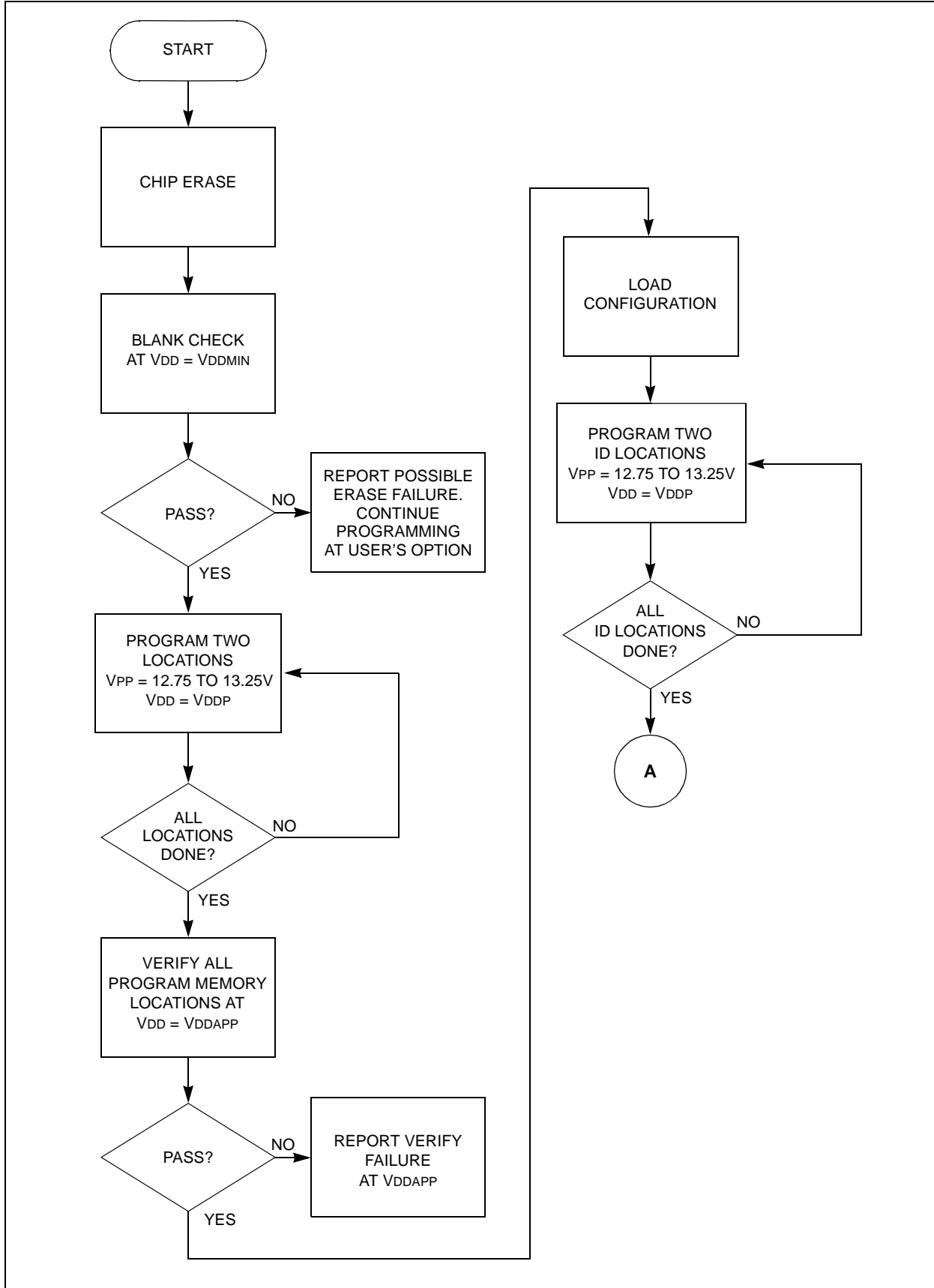
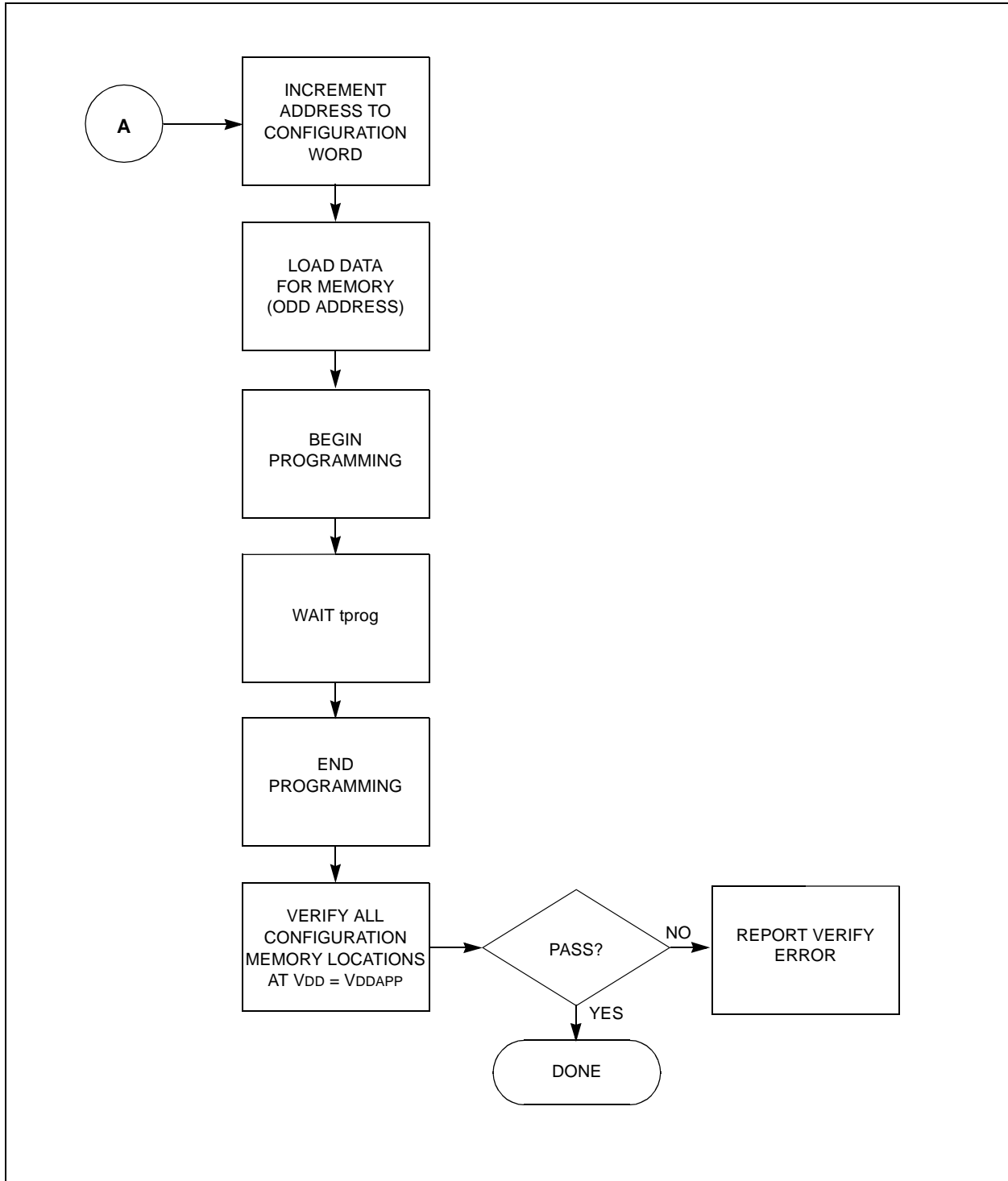
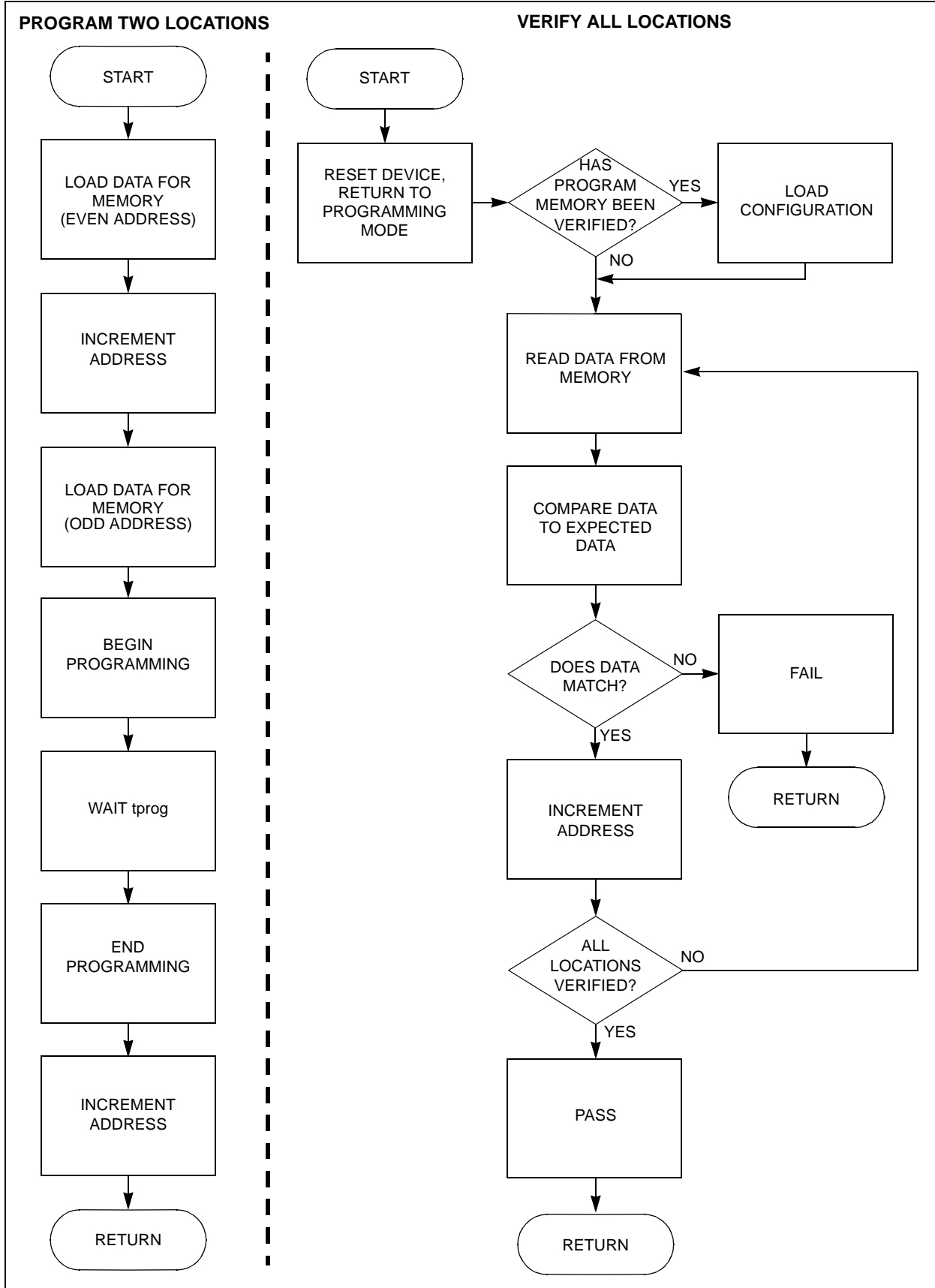


FIGURE 2-3: PROGRAMMING METHOD FLOW CHART (SHEET 2 OF 3)



PIC16F72

FIGURE 2-4: PROGRAMMING METHOD FLOW CHART (SHEET 3 OF 3)



3.0 CONFIGURATION WORD

The PIC16F72 has configuration bits in a configuration word located at 0x2007. These bits can be cleared (reads '0'), or left unchanged (reads '1'), to select various device configurations.

3.1 Device ID Word

The device ID word for the PIC16F72 is located at 2006h. The nine Most Significant bits are the device ID number, while the five Least Significant bits are the device revision number.

TABLE 3-1: DEVICE ID VALUE

Device	Device ID Word (0x2006)	
	Dev	Rev
PIC16F72	000 000 101	n nnnn

REGISTER 3-1: CONFIGURATION WORD FOR PIC16F72

-	-	-	-	-	-	-	BOREN	-	CP	PWRTEN	WDTEN	FOSC1	FOSC0
bit 13													bit 0

- bit 13-7 **Unimplemented:** Read as '1'
- bit 6 **BOREN:** Brown-out Reset Enable bit⁽¹⁾
1 = BOR enabled
0 = BOR disabled
- bit 5 **Unimplemented:** Read as '1'
- bit 4 **CP:** Program Memory Code Protection bit
1 = Code protection off
0 = 0000h to 07FFh code protected (All)
- bit 3 **PWRTEN:** Power-up Timer Enable bit⁽¹⁾
1 = PWRT disabled
0 = PWRT enabled
- bit 2 **WDTEN:** Watchdog Timer Enable bit
1 = WDT enabled
0 = WDT disabled
- bit 1-0 **FOSC1:FOSC0:** Oscillator Selection bits
11 = RC oscillator
10 = HS oscillator
01 = XT oscillator
00 = LP oscillator

Note 1: Enabling Brown-out Reset automatically enables Power-up Timer (PWRT), regardless of the value of bit PWRTEN. Ensure the Power-up Timer is enabled any time Brown-out Reset is enabled.

Legend:			
R = Readable bit	W = Writable bit	U = Unimplemented bit, read as '0'	
-n = Value at POR	1 = bit is set	0 = bit is cleared	x = bit is unknown

PIC16F72

4.0 CODE PROTECTION

Once code protection is enabled, all program memory locations read all '0's; further programming of program memory is disabled. ID locations and the configuration word may still be read and programmed (1's to 0's only).

4.1 Disabling Code Protection

The following procedure should be performed before any other programming is attempted. This procedure also turns off code protection (code protect bit = 1); however, **all program memory will be erased when this procedure is executed and thus, the security of the code is not compromised.**

Procedure to disable code protection:

- Issue the 'Chip Erase' command.
- Wait for the erase cycle time (tera) to pass. The program memory is erased, then the configuration memory is erased.

4.2 Embedding Configuration Word and ID Information in the HEX File

To allow portability of code, the programmer is required to read the configuration word and ID locations from the HEX file, when loading the HEX file. If configuration word information was not present in the HEX file, then a simple warning message may be issued. Similarly, while saving a HEX file, configuration word and ID information must be included. An option to not include this information may be provided.

Microchip Technology Inc. feels strongly that this feature is important for the benefit of the end customer.

4.3 Checksum Computation

The checksum is calculated by reading the contents of the PIC16F72 memory locations and adding up the opcodes, up to the maximum user addressable location (i.e., 0x07FFh for the PIC16F72). Any carry bits exceeding 16 bits are neglected. Finally, the configuration word (appropriately masked) is added to the checksum.

The checksum is calculated by summing the following:

- The contents of all program memory locations
- The configuration word, appropriately masked
- Masked ID locations (when applicable)

The Least Significant 16 bits of this sum are the checksum.

Table 4-1 describes how to calculate the checksum for the PIC16F72. Note that the checksum calculation differs depending on the code protection setting. Since the program memory locations read out differently depending on the code protection setting, the table describes how to manipulate the actual program memory values to simulate the values that would be read from a protected device. When calculating a checksum of a non-protected device, the entire program memory can simply be read and summed. The configuration word and ID locations can always be read.

TABLE 4-1: CHECKSUM COMPUTATION

Device	Code Protect	Checksum	Blank Value	0x05E6 at 0x0000 and max address
PIC16F72	OFF	SUM[0x000:0x07FF] + CFWD & 0x005F	0xF85F	0x842D
	ALL	CFWD & 0x005F + SUM_ID	0x005E	0x005E

Legend: CFWD = Configuration Word
SUM[a:b] = [Sum of locations a to b inclusive]
SUM_ID = ID locations masked by 0x0F, then concatenated into a 16-bit value with ID0 as the most significant nibble. For example, ID0 = 0x01, ID2 = 0x02, ID3 = 0x03, ID4 = 0x04, then SUM_ID = 0x1234
Checksum = [Sum of all the individual expressions] MODULO [0xFFFF]
+ = Addition
& = Bitwise AND

5.0 PROGRAM/VERIFY MODE ELECTRICAL CHARACTERISTICS

5.1 AC/DC Characteristics

TABLE 5-1: TIMING REQUIREMENTS FOR PROGRAM/VERIFY MODE

Standard Operating Conditions (unless otherwise stated)						
Operating Temperature:		$+10^{\circ}\text{C} \leq T_A \leq +40^{\circ}\text{C}$				
Operating Voltage:		$4.5\text{V} \leq V_{\text{DD}} \leq 5.5\text{V}$				
Characteristics	Sym	Min	Typ	Max	Units	Conditions/Comments
General						
VDD level for read and verification	VDD	2.0		5.5	V	
VDD level for programming and erasing	VDDP	4.75		5.25	V	
High voltage on $\overline{\text{MCLR}}$ for chip erase and program write operations	VPP	12.75		13.25	V	(Notes 1, 2)
$\overline{\text{MCLR}}$ rise time (VSS to VPP) for Test mode entry	tVHHR			1.0	μs	
(RB6, RB7) input high level	VIH1	0.8 VDD			V	Schmitt Trigger input
(RB6, RB7) input low level	VIL1	0.2 VDD			V	Schmitt Trigger input
Serial Program/Verify						
Data in setup time before clock \downarrow	tset1	100			ns	
Data in hold time after clock \downarrow	thld1	100			ns	
Data input not driven to next clock input (delay required between command/data or command/command)	tdly1	1.0			μs	
Delay between clock \downarrow to clock \uparrow of next command or data	tdly2	1.0			μs	
Clock \uparrow to data out valid (during read data)	tdly3	200			ns	
Erase cycle time	tera	30			ms	(Note 3)
Programming cycle time	tprog	1	—	3 ⁽⁴⁾	ms	

Note 1: VPP should be current limited to about 100 mA.

Note 2: VPP must remain above VDDP + 4.0V to remain in Programming mode, while not actually erasing or programming.

Note 3: The chip erase is self-timed.

Note 4: tprog is expected to be reduced to 1 ms max.

PIC16F72

FIGURE 5-1: LOAD DATA COMMAND MODE (PROGRAM/VERIFY)

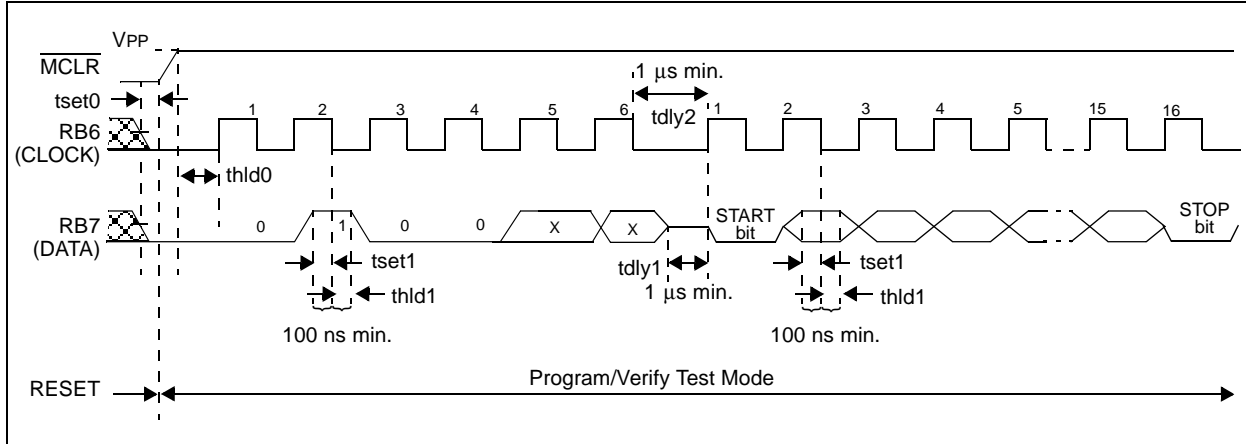


FIGURE 5-2: READ DATA COMMAND MODE (PROGRAM/VERIFY)

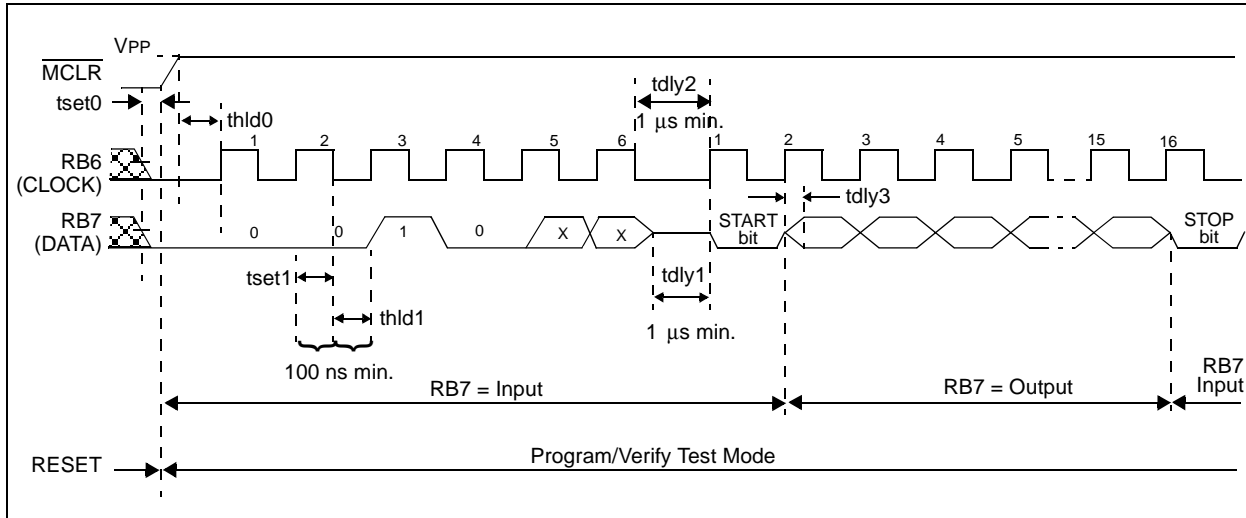
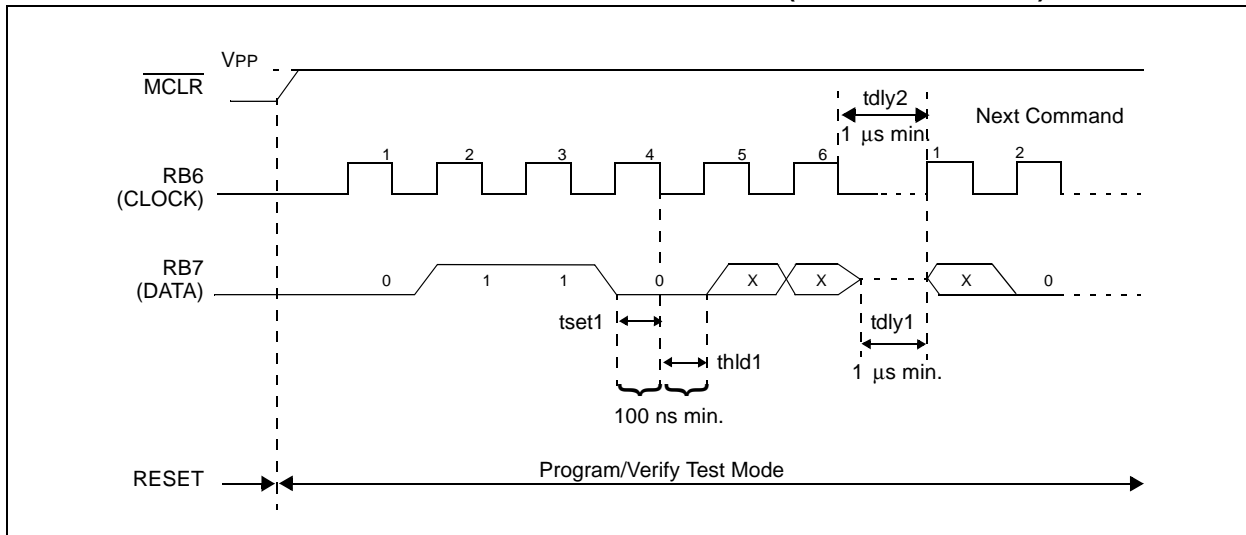


FIGURE 5-3: INCREMENT ADDRESS COMMAND MODE (PROGRAM/VERIFY)



Note the following details of the code protection feature on PICmicro® MCUs.

- The PICmicro family meets the specifications contained in the Microchip Data Sheet.
- Microchip believes that its family of PICmicro microcontrollers is one of the most secure products of its kind on the market today, when used in the intended manner and under normal conditions.
- There are dishonest and possibly illegal methods used to breach the code protection feature. All of these methods, to our knowledge, require using the PICmicro microcontroller in a manner outside the operating specifications contained in the data sheet. The person doing so may be engaged in theft of intellectual property.
- Microchip is willing to work with the customer who is concerned about the integrity of their code.
- Neither Microchip nor any other semiconductor manufacturer can guarantee the security of their code. Code protection does not mean that we are guaranteeing the product as “unbreakable”.
- Code protection is constantly evolving. We at Microchip are committed to continuously improving the code protection features of our product.

If you have any further questions about this matter, please contact the local sales office nearest to you.

Information contained in this publication regarding device applications and the like is intended through suggestion only and may be superseded by updates. It is your responsibility to ensure that your application meets with your specifications. No representation or warranty is given and no liability is assumed by Microchip Technology Incorporated with respect to the accuracy or use of such information, or infringement of patents or other intellectual property rights arising from such use or otherwise. Use of Microchip's products as critical components in life support systems is not authorized except with express written approval by Microchip. No licenses are conveyed, implicitly or otherwise, under any intellectual property rights.

Trademarks


The Microchip name and logo, the Microchip logo, FilterLab, KEELOQ, MPLAB, PIC, PICmicro, PICMASTER, PICSTART, PRO MATE, SEEVAL and The Embedded Control Solutions Company are registered trademarks of Microchip Technology Incorporated in the U.S.A. and other countries.

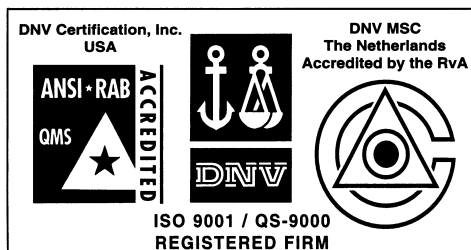
dsPIC, ECONOMONITOR, FanSense, FlexROM, fuzzyLAB, In-Circuit Serial Programming, ICSP, ICEPIC, microID, microPort, Migratable Memory, MPASM, MPLIB, MPLINK, MPSIM, MXDEV, PICC, PICDEM, PICDEM.net, rPIC, Select Mode and Total Endurance are trademarks of Microchip Technology Incorporated in the U.S.A.

Serialized Quick Term Programming (SQTP) is a service mark of Microchip Technology Incorporated in the U.S.A.

All other trademarks mentioned herein are property of their respective companies.

© 2002, Microchip Technology Incorporated, Printed in the U.S.A., All Rights Reserved.

 Printed on recycled paper.



Microchip received QS-9000 quality system certification for its worldwide headquarters, design and wafer fabrication facilities in Chandler and Tempe, Arizona in July 1999. The Company's quality system processes and procedures are QS-9000 compliant for its PICmicro® 8-bit MCUs, KEELOQ® code hopping devices, Serial EEPROMs and microperipheral products. In addition, Microchip's quality system for the design and manufacture of development systems is ISO 9001 certified.



WORLDWIDE SALES AND SERVICE

AMERICAS

Corporate Office

2355 West Chandler Blvd.
Chandler, AZ 85224-6199
Tel: 480-792-7200 Fax: 480-792-7277
Technical Support: 480-792-7627
Web Address: <http://www.microchip.com>

Rocky Mountain

2355 West Chandler Blvd.
Chandler, AZ 85224-6199
Tel: 480-692-7966 Fax: 480-792-7456

Atlanta

500 Sugar Mill Road, Suite 200B
Atlanta, GA 30350
Tel: 770-640-0034 Fax: 770-640-0307

Boston

2 Lan Drive, Suite 120
Westford, MA 01886
Tel: 978-692-3848 Fax: 978-692-3821

Chicago

333 Pierce Road, Suite 180
Itasca, IL 60143
Tel: 630-285-0071 Fax: 630-285-0075

Dallas

4570 Westgrove Drive, Suite 160
Addison, TX 75001
Tel: 972-818-7423 Fax: 972-818-2924

Detroit

Tri-Atria Office Building
32255 Northwestern Highway, Suite 190
Farmington Hills, MI 48334
Tel: 248-538-2250 Fax: 248-538-2260

Kokomo

2767 S. Albright Road
Kokomo, Indiana 46902
Tel: 765-864-8360 Fax: 765-864-8387

Los Angeles

18201 Von Karman, Suite 1090
Irvine, CA 92612
Tel: 949-263-1888 Fax: 949-263-1338

New York

150 Motor Parkway, Suite 202
Hauppauge, NY 11788
Tel: 631-273-5305 Fax: 631-273-5335

San Jose

Microchip Technology Inc.
2107 North First Street, Suite 590
San Jose, CA 95131
Tel: 408-436-7950 Fax: 408-436-7955

Toronto

6285 Northam Drive, Suite 108
Mississauga, Ontario L4V 1X5, Canada
Tel: 905-673-0699 Fax: 905-673-6509

ASIA/PACIFIC

Australia

Microchip Technology Australia Pty Ltd
Suite 22, 41 Rawson Street
Epping 2121, NSW
Australia
Tel: 61-2-9868-6733 Fax: 61-2-9868-6755

China - Beijing

Microchip Technology Consulting (Shanghai)
Co., Ltd., Beijing Liaison Office
Unit 915
Bei Hai Wan Tai Bldg.
No. 6 Chaoyangmen Beidajie
Beijing, 100027, No. China
Tel: 86-10-85282100 Fax: 86-10-85282104

China - Chengdu

Microchip Technology Consulting (Shanghai)
Co., Ltd., Chengdu Liaison Office
Rm. 2401, 24th Floor,
Ming Xing Financial Tower
No. 88 TIDU Street
Chengdu 610016, China
Tel: 86-28-6766200 Fax: 86-28-6766599

China - Fuzhou

Microchip Technology Consulting (Shanghai)
Co., Ltd., Fuzhou Liaison Office
Unit 28F, World Trade Plaza
No. 71 Wusi Road
Fuzhou 350001, China
Tel: 86-591-7503506 Fax: 86-591-7503521

China - Shanghai

Microchip Technology Consulting (Shanghai)
Co., Ltd.
Room 701, Bldg. B
Far East International Plaza
No. 317 Xian Xia Road
Shanghai, 200051
Tel: 86-21-6275-5700 Fax: 86-21-6275-5060

China - Shenzhen

Microchip Technology Consulting (Shanghai)
Co., Ltd., Shenzhen Liaison Office
Rm. 1315, 13/F, Shenzhen Kerry Centre,
Renminnan Lu
Shenzhen 518001, China
Tel: 86-755-2350361 Fax: 86-755-2366086

Hong Kong

Microchip Technology Hongkong Ltd.
Unit 901-6, Tower 2, Metroplaza
223 Hing Fong Road
Kwai Fong, N.T., Hong Kong
Tel: 852-2401-1200 Fax: 852-2401-3431

India

Microchip Technology Inc.
India Liaison Office
Divyasree Chambers
1 Floor, Wing A (A3/A4)
No. 11, O'Shaugnessey Road
Bangalore, 560 025, India
Tel: 91-80-2290061 Fax: 91-80-2290062

Japan

Microchip Technology Japan K.K.
Benex S-1 6F
3-18-20, Shinyokohama
Kohoku-Ku, Yokohama-shi
Kanagawa, 222-0033, Japan
Tel: 81-45-471-6166 Fax: 81-45-471-6122

Korea

Microchip Technology Korea
168-1, Youngbo Bldg. 3 Floor
Samsung-Dong, Kangnam-Ku
Seoul, Korea 135-882
Tel: 82-2-554-7200 Fax: 82-2-558-5934

Singapore

Microchip Technology Singapore Pte Ltd.
200 Middle Road
#07-02 Prime Centre
Singapore, 188980
Tel: 65-334-8870 Fax: 65-334-8850

Taiwan

Microchip Technology Taiwan
11F-3, No. 207
Tung Hua North Road
Taipei, 105, Taiwan
Tel: 886-2-2717-7175 Fax: 886-2-2545-0139

EUROPE

Denmark

Microchip Technology Nordic ApS
Regus Business Centre
Lautrup høj 1-3
Ballerup DK-2750 Denmark
Tel: 45 4420 9895 Fax: 45 4420 9910

France

Microchip Technology SARL
Parc d'Activite du Moulin de Massy
43 Rue du Saule Trapu
Batiment A - 1er Etage
91300 Massy, France
Tel: 33-1-69-53-63-20 Fax: 33-1-69-30-90-79

Germany

Microchip Technology GmbH
Gustav-Heinemann Ring 125
D-81739 Munich, Germany
Tel: 49-89-627-144 0 Fax: 49-89-627-144-44

Italy

Microchip Technology SRL
Centro Direzionale Colleoni
Palazzo Taurus 1 V. Le Colleoni 1
20041 Agrate Brianza
Milan, Italy
Tel: 39-039-65791-1 Fax: 39-039-6899883

United Kingdom

Arizona Microchip Technology Ltd.
505 Eskdale Road
Winnersh Triangle
Wokingham
Berkshire, England RG41 5TU
Tel: 44 118 921 5869 Fax: 44-118 921-5820

01/18/02