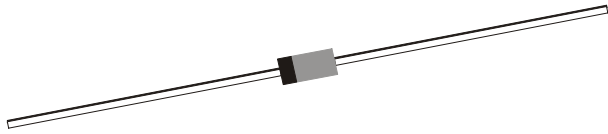


HIGH SPEED SILICON SWITCHING DIODE

1N4150



DO-35
Glass Axial Package

FEATURES

General Purpose used in Computer and Industrial Applications

ABSOLUTE MAXIMUM RATINGS ($T_a=25^\circ\text{C}$ unless specified otherwise)

DESCRIPTION	SYMBOL	VALUE	UNIT
Reverse Voltage (Continuous)	V_R	50	V
Forward Current (DC)	I_F	300	mA
Repetitive Peak Forward Current	I_{FRM}	600	mA
Non Repetitive Peak Surge Current $t_p=1\text{ms}$ $t_p=1\text{s}$	I_{FSM}	4000	mA
		500	
Power Dissipation @ $T_a=25^\circ\text{C}$	P_{TA}	500	mW
Derating Factor		2.85	mW/ $^\circ\text{C}$
Operating And Storage Junction Temperature Range	T_j, T_{stg}	-65 to +200	$^\circ\text{C}$

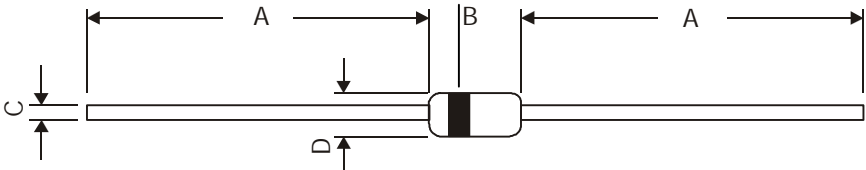
ELECTRICAL CHARACTERISTICS ($T_a=25^\circ\text{C}$ unless specified otherwise)

DESCRIPTION	SYMBOL	TEST CONDITIONS	VALUE		UNIT
			MIN	MAX	
Forward Voltage	V_F	$I_F=1\text{mA}$	0.54	0.62	V
		$I_F=10\text{mA}$	0.66	0.74	V
		$I_F=50\text{mA}$	0.76	0.86	V
		$I_F=100\text{mA}$	0.82	0.92	V
		$I_F=200\text{mA}$	0.87	1.0	V
Reverse Current	I_R	$V_R=50\text{V}$		100	nA
		$V_R=50\text{V}, T_j=150^\circ\text{C}$		100	μA
Diode Capacitance	C_d	$V_R=0, f=1\text{MHz}$		2.5	pF
Reverse Recovery Time	t_{rr}	$I_F=10\text{mA}$ to 200mA to $I_R=10\text{mA}$ to 200mA $R_L=100\Omega$ Measured @ $I_R=0.1 \times I_F$		4	ns
		$I_F=200\text{mA}$ to 400mA to $I_R=200\text{mA}$ to 400mA $R_L=100\Omega$ Measured @ $I_R=0.1 \times I_F$		6	ns
		$I_F=10\text{mA}$ to $I_R=1\text{mA}$ $R_L=100\Omega$ Measured @ $I_R=0.1\text{mA}$		6	ns
Forward Recovery Time	t_{fr}	Switched from $I=0$ to $I_F=200\text{mA}$ $t_r=0.4\text{ns}, t_p=100\text{ns}$, Duty Cycle $\leq 1.0\%$ Measured @ $V_F=1\text{V}$		10	ns

1N4150

**DO-35
Glass Axial Package**

DO-35 Glass Axial Package

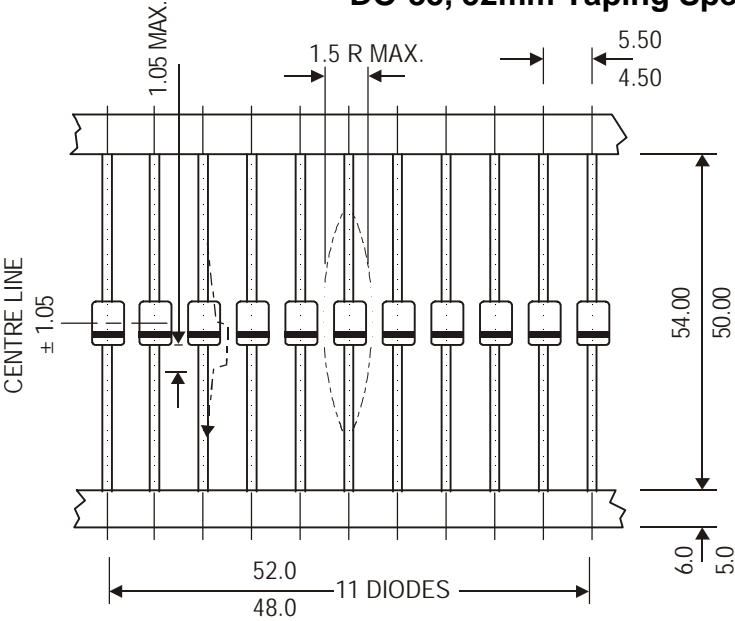


NOTE: Cathode is marked by Band.

DIM	MIN	MAX
A	25.40	—
B	3.05	4.15
C	0.46	0.56
D	1.70	2.29

All dimensions are in mm.

DO-35, 52mm Taping Specification

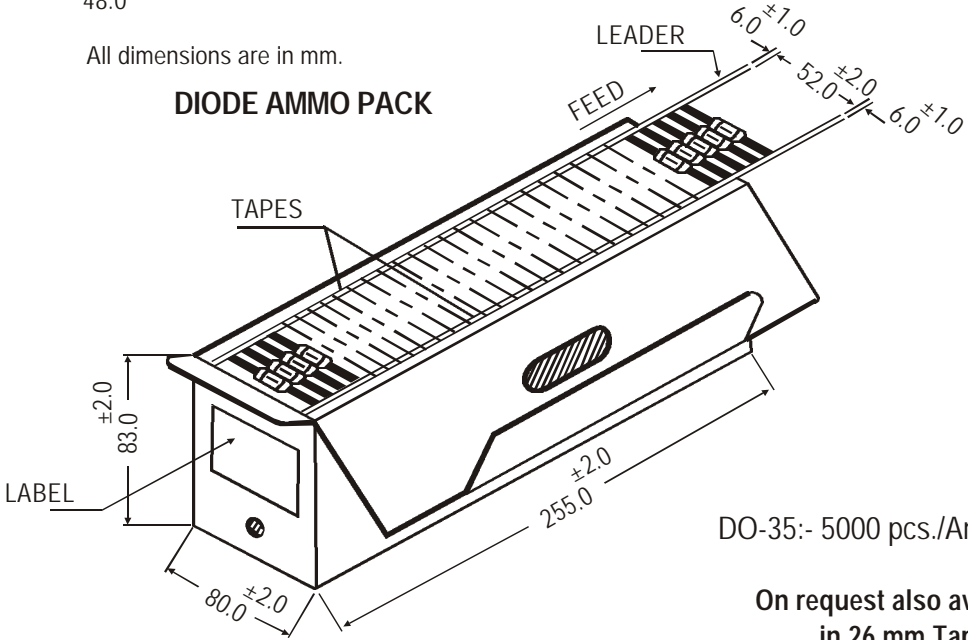


All dimensions are in mm.

52 mm Taping Specification

1. T & A indicates Axial Tape and Ammo Packing (52 mm Tape Spacing).
2. 300 mm (min) leader tape on every tape.
3. No. of empty places allowed 0.25% without consecutive empty places.
4. Ends of leads shall preferably not protrude beyond the tapes.
5. Components shall be held sufficiently in the tape or tapes so that they can not come free in normal handling.

DIODE AMMO PACK



DO-35:- 5000 pcs./Ammo Pack

On request also available
in 26 mm Tape

Packing Detail

PACKAGE	STANDARD PACK		INNER CARTON BOX		OUTER CARTON BOX		
	Details	Net Weight/Qty	Size	Qty	Size	Qty	Gr Wt
DO-35 T&A	5K/ammo box	0.88 kg/5K pcs	10" x 3.2" x 3.2"	5K	12.7" x 12.7" x 20"	125K	25 kgs