

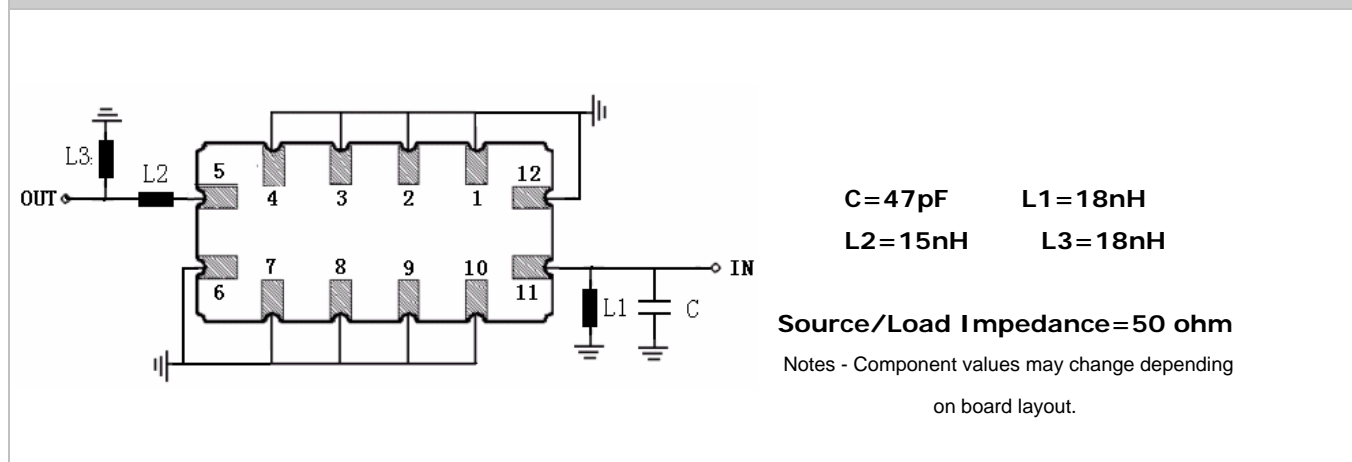
Specifications


Parameter	Unit	Minimum	Typical	Maximum
Center Frequency	MHz	175.9	176	176.1
Insertion Loss	dB	-	11.4	13
1 dB Bandwidth	MHz	-	3.67	-
3 dB Bandwidth	MHz	-	4.57	-
30 dB Bandwidth	MHz	-	7.04	-
40 dB Bandwidth	MHz	-	7.5	-
Passband Variation	dB	-	0.8	1.0
Phase Linearity ($F_0 \pm 1.4\text{MHz}$)	degree	-	5	-
Ultimate Rejection ($F_0 \pm 6\text{MHz}$)	dB	40	45	-
Absolute Delay	usec	-	0.9	-
Substrate Material		112LT		
Ambient Temperature	°C	25		
Package Size		SMD13.3*6.5 (13.3 x 6.5 mm Nominal Footprint)		

Notes:

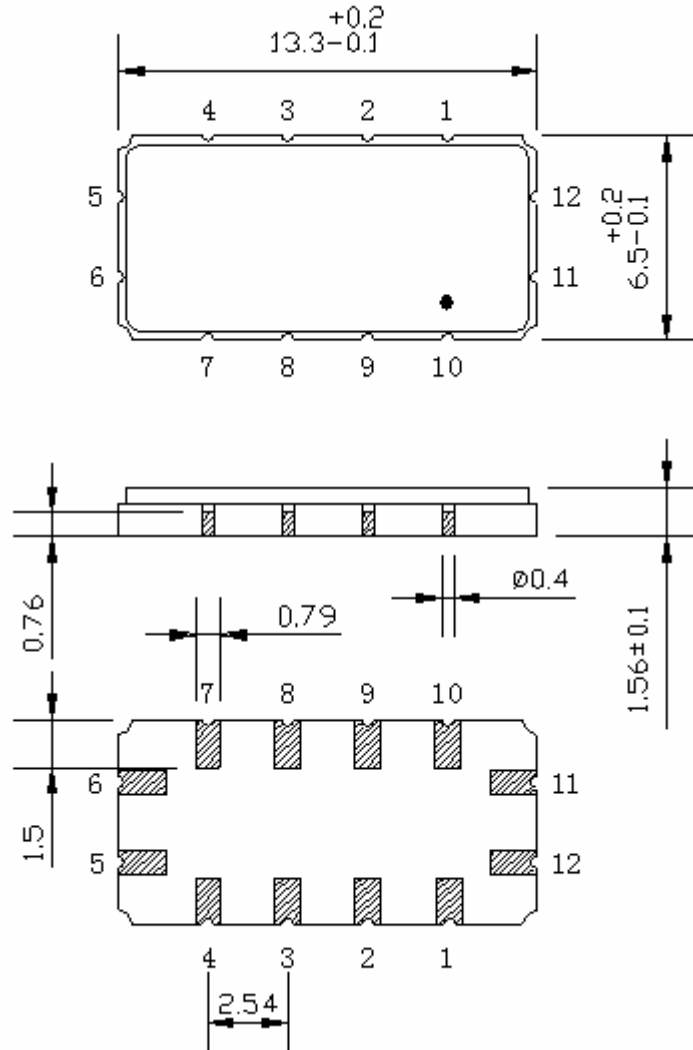
1. All specifications are based on the test circuit shown
2. In production, devices will be tested at room temperature to a guardbanded specification to ensure electrical compliance over temperature
3. Electrical margin has been built into the design to account for the variations due to temperature drift and manufacturing tolerances
4. This is the optimum impedance in order to achieve the performance show

Matching Configuration



	SIPAT Co., Ltd. (CETC No. 26 Research Institute) Nanping Huayuan Road No. 14 Chongqing, China, 400060	Part Number	LBT17602	
		Rev. Date	2005-1-9	
		Rev.	1.0	Page

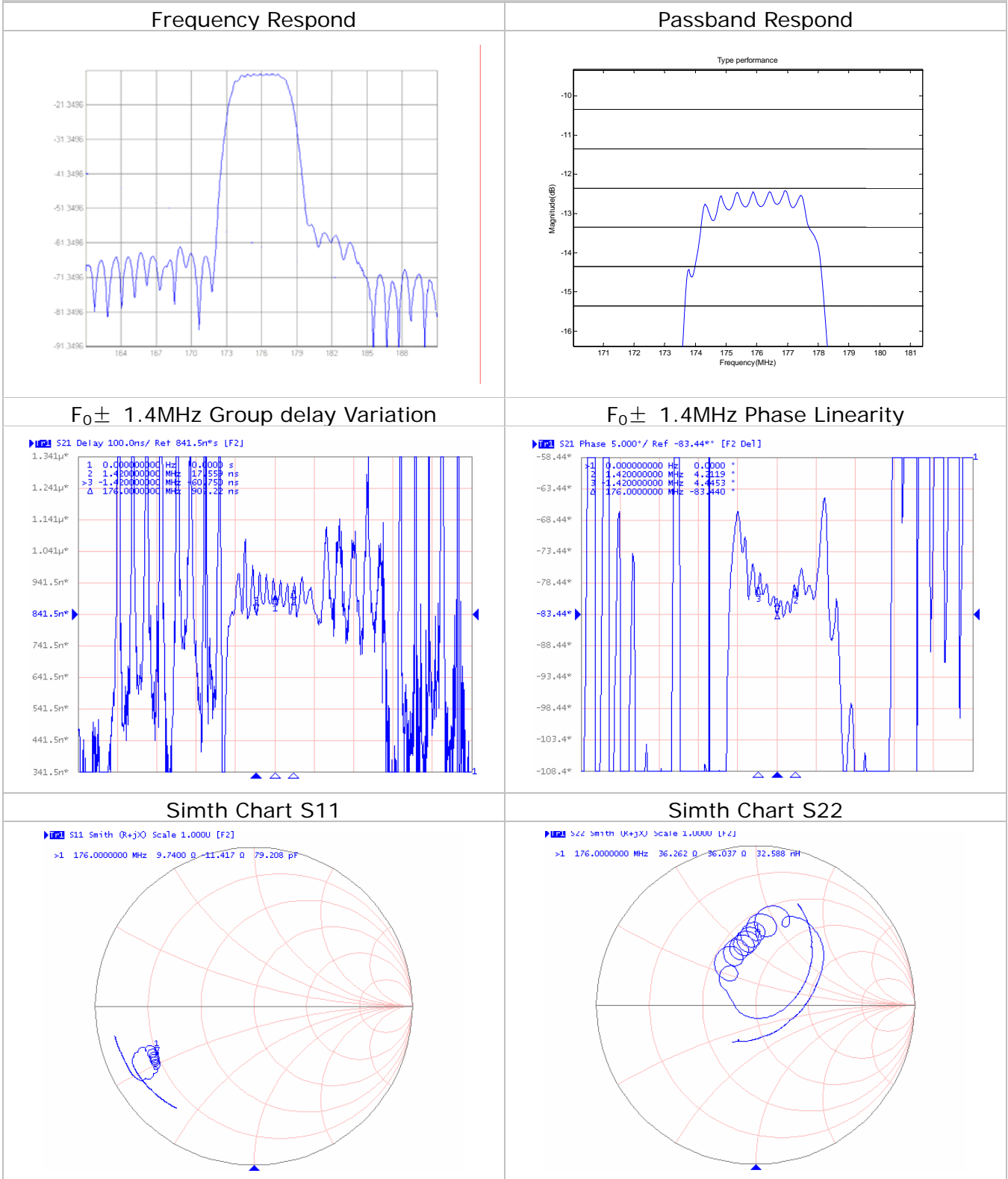
Package Dimension



SIPAT Co., Ltd.
(CETC No. 26 Research Institute)
Nanping Huayuan Road No. 14
Chongqing, China, 400060

Part Number	LBT17602	
Rev. Date	2005-1-9	
Rev.	1.0	Page 2/3

Typical Performance



SIPAT Co., Ltd.
(CETC No. 26 Research Institute)
Nanping Huayuan Road No. 14
Chongqing, China, 400060

Part Number	LBT17602	
Rev. Date	2005-1-9	
Rev.	1.0	Page 3/3