

# 16-Bit Proprietary Microcontroller

CMOS

## F<sup>2</sup>MC-16LX MB90880 Series

**MB90F882(S)/F883(S)/F883A(S)/F884(S)/F884A(S)  
MB90882(S)/883(S)/884(S)/V880(A)-101/-102**

### ■ DESCRIPTION

The MB90880 series is a general-purpose 16-bit microcontroller, designed by Fujitsu, for process control of devices such as consumer appliances, which require high-speed real-time processing capabilities.

The instruction set of the F<sup>2</sup>MC-16LX CPU core retains the same AT architecture as the F<sup>2</sup>MC\*<sup>1</sup> family, with further refinements including high-level language instructions, an expanded addressing mode, enhanced multiplier-divider instructions and bit processing. In addition, a 32-bit accumulator is built in to enable long word processing.

As its peripheral resources, the MB90880 series has a 16-bit PPG, multi-function serial interface (software switch over enabled for SIO, UART and I<sup>2</sup>C\*<sup>2</sup>), 10-bit A/D converter, 16-bit I/O timer, 8/16-bit up-down counter, base timer (software switch over enabled for 16-bit reload timer, PWC timer, PPG timer and PWM timer), DTP / external interrupt and chip select pins.

\*1 : F<sup>2</sup>MC is the abbreviation of FUJITSU Flexible Microcontroller.

\*2 : Purchase of Fujitsu I<sup>2</sup>C components conveys a license under the Philips I<sup>2</sup>C Patent Rights to use, these components in an I<sup>2</sup>C system provided that the system conforms to the I<sup>2</sup>C Standard Specification as defined by Philips.

Be sure to refer to the "Check Sheet" for the latest cautions on development.

"Check Sheet" is seen at the following support page

URL : <http://www.fujitsu.com/global/services/microelectronics/product/micom/support/index.html>

"Check Sheet" lists the minimal requirement items to be checked to prevent problems beforehand in system development.

# MB90880 Series

## ■ FEATURES

- Clock  
Minimum instruction execution time : 30.3 ns / 4.125 MHz source oscillation × eight times  
(in internal operation : 33 MHz/3.3 V ± 0.3 V)  
PLL clock multiplication system
- Maximum memory space  
16 Mbytes
- Instruction set optimized for control applications  
Supported data types : bit, byte, word and long word  
Standard addressing modes : 23 types  
Enhanced high-precision calculation realized by 32-bit accumulator  
Signed multiplication/division instructions and extended RETI instruction functions
- Instruction set supporting high-level language (C language) and multi-task operations  
Introduction of system stack pointer  
Symmetrical instruction set and barrel shift instructions
- Improved execution speed  
4-byte queue
- Powerful interrupt functions  
Eight priority levels programmable; External interrupts : 24
- Data transfer functions (μDMAC)  
Up to 16 channels
- Built-in ROM  
Flash ROM : 256, 384 and 512 Kbytes; MASK ROM : 256, 384 and 512 Kbytes
- Built-in RAM  
Flash RAM : 16, 24 and 30 Kbytes; MASK RAM : 16, 24 and 30 Kbytes
- General-purpose ports  
Dual clock product : up to 81 channels; Single clock product : up to 83 channels
- A/D converter  
RC successive approximation conversion type : 20 channels (Resolution : 8 or 10 bits)
- Multi-function serial interface  
7 channels (software switchable between for SIO, UART and I<sup>2</sup>C)
- 16-bit PPG  
8 channels
- 8/16-bit up-down counter/timer  
Event input pins : 6  
8-bit up-down counters : 2  
8-bit reload/compare registers : 2
- Base timer  
4 channels (software switchable between 16-bit reload timer, PWC timer, PPG timer, and PWM timer)
- 16-bit I/O timer  
Input capture × 2 channels, output compare × 6 channels, free run timer × 1 channel
- Built-in dual clock generator
- Low power consumption modes  
Stop mode, sleep mode, CPU intermittent operation mode, watch timer, time base timer mode
- Package  
QFP-100/LQFP-100
- Process  
CMOS technology
- Power supply voltage  
3V : Single power supply operation

# MB90880 Series

## ■ PRODUCT LINEUP

Name \ Item		MB90882(S)	MB90883(S)	MB90884(S)	MB90F882(S)	MB90F883 (S) / MB90F883A(S)	MB90F884 (S) / MB90F884A(S)
Class		MASK ROM product			Flash memory product		
ROM size		256 Kbytes	384 Kbytes	512 Kbytes	256 Kbytes	384 Kbytes	512 Kbytes
RAM size		16 Kbytes	24 Kbytes	30 Kbytes	16 Kbytes	24 Kbytes	30 Kbytes
CPU functions		Number of instructions : 351 Instruction bit length : 8 bits, 16 bits Instruction length : 1 to 7 bytes Data bit length : 1 bit, 8 bits, 16 bits Minimum execution time : 30.3 ns (machine clock : 33 MHz) The maximum operating frequency of MB90F883(S) and MB90F884(S) is 25 MHz.					
Ports		General-purpose I/O ports : up to 81 for dual clock model, up to 83 for single clock model General-purpose I/O ports (CMOS output)					
Multi-function serial interface		7 channels (software switchable between SIO, UART & I <sup>2</sup> C)					
16-bit PPG timer		8 channels					
8/16-bit up-down counter/timer		Event input pins : 6, 8-bit up-down counters : 2 8-bit reload/compare registers : 2					
16-bit I/O timer	16-bit free run timer	Number of channels : 1 Overflow interrupt					
	Output compare (OCU)	Number of channels : 6 Pin input source : Match signal of compare register					
	Input capture (ICU)	Number of channels : 2 Rewriting register by pin input (rising, falling or both edges)					
DTP/external interrupt circuit		External interrupt pins : 24 channels (edge/level support)					
Base timer		4 channels (software switchable between 16-bit reload timer, PWC timer, PPG timer, and PWM timer) In MB90F883(S) and MB90F884(S), P24/TIO0, P25/TIO1, P26/TIO2, and P27/TIO3 cannot be used as input function.					
Time base timer		18-bit counter Interrupt interval : 1.0 ms, 4.1 ms, 16.4 ms, 131.1 ms (source oscillation : 4 MHz)					
A/D converter		Conversion accuracy : 8 or 10 bits can be switched Single conversion mode (Selected channel converted only once) Scan conversion mode (Multiple successive channels converted) Successive conversion mode (Selected channel converted repeatedly) Stop conversion mode (Selected channel converted and stopped repeatedly)					
Watchdog timer		Reset generation interval : 3.58 ms, 14.33 ms, 57.23ms, 458.75 ms (source oscillation : 4 MHz, minimum value)					

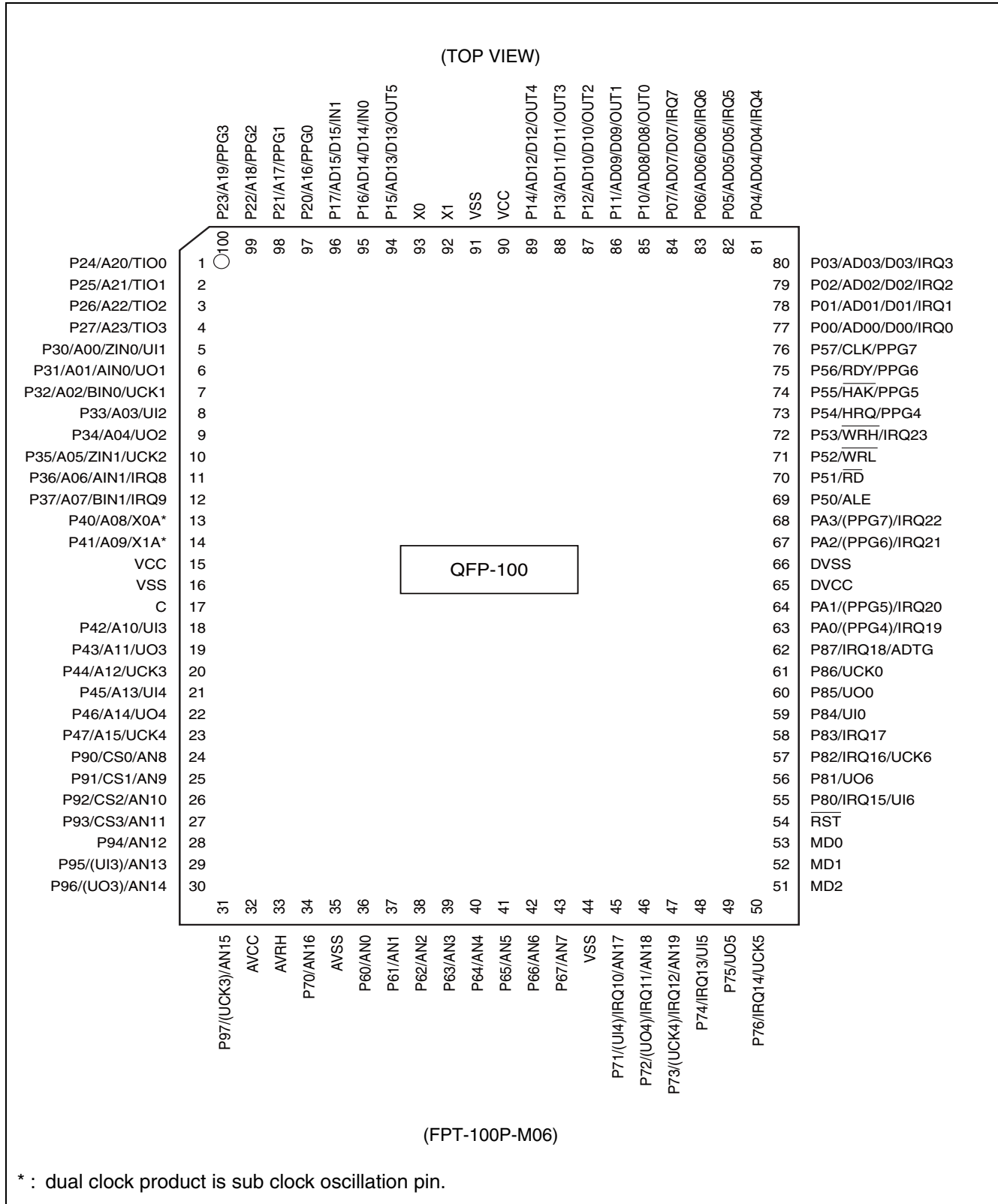
(Continued)

# MB90880 Series

(Continued)

Name \ Item	MB90882(S)	MB90883(S)	MB90884(S)	MB90F882(S)	MB90F883(S) / MB90F883A(S)	MB90F884(S) / MB90F884A(S)
Low power consumption (standby) modes	Sleep, stop, CPU intermittent operation, watch timer, time base timer					
Flash memory	—			Flash security/ write-protect feature (not available in MB90F883(S), MB90F884(S), MB90F883A(S), and MB90F884A(S))		
Process	CMOS technology					

## PIN ASSIGNMENTS





## ■ PIN DESCRIPTIONS

Pin no.		Pin name	I/O circuit type*3	Function
LQFP *1	QFP *2			
1	3	P26	D	General-purpose I/O port
		A22		In multiplex mode, it serves as higher address output pin (A22) when corresponding bit in external address output control register (HACR) is set to "0".
		TIO2		In non-multiplex mode, it serves as higher address output pin (A22) when corresponding bit in external address output control register (HACR) is set to "0". Base timer I/O pin (ch.2)
2	4	P27	D	General-purpose I/O port
		A23		In multiplex mode, it serves as higher address output pin (A23) when corresponding bit in external address output control register (HACR) is set to "0".
		TIO3		In non-multiplex mode, it serves as higher address output pin (A23) when corresponding bit in external address output control register (HACR) is set to "0". Base timer I/O pin (ch.3)
3	5	P30	E	General-purpose I/O port
		A00		Serves as an external address pin in non-multiplex mode.
		ZIN0		8/16-bit up-down counter/timer input pin (ch.0)
		UI1		Multi-function serial input pin
4	6	P31	E	General-purpose I/O port
		A01		Serves as an external address pin in non-multiplex mode.
		AIN0		8/16-bit up-down counter/timer input pin (ch.0)
		UO1/ (SDA1)		Multi-function serial output pin
5	7	P32	E	General-purpose I/O port
		A02		Serves as an external address pin in non-multiplex mode.
		BIN0		8/16-bit up-down counter/timer input pin (ch.0)
		UCK1/ (SCL1)		Multi-function serial clock I/O pin
6	8	P33	E	General-purpose I/O port
		A03		Serves as an external address pin in non-multiplex mode.
		UI2		Multi-function serial input pin
7	9	P34	E	General-purpose I/O port
		A04		Serves as an external address pin in non-multiplex mode.
		UO2/ (SDA2)		Multi-function serial output pin

(Continued)

# MB90880 Series

Pin no.		Pin name	I/O circuit type*3	Function
LQFP *1	QFP *2			
8	10	P35	E	General-purpose I/O port
		A05		Serves as an external address pin in non-multiplex mode.
		ZIN1		8/16-bit up-down counter/timer input pin (ch.1)
		UCK2/ (SCL2)		Multi-function serial clock I/O pin
9	11	P36	D	General-purpose I/O port
		A06		Serves as an external address pin in non-multiplex mode.
		AIN1		8/16-bit up-down counter/timer input pin (ch.1)
		IRQ8		External interrupt input pin
10	12	P37	D	General-purpose I/O port
		A07		Serves as an external address pin in non-multiplex mode.
		BIN1		8/16-bit up-down counter/timer input pin (ch.1)
		IRQ9		External interrupt input pin
11	13	P40	A/D	General-purpose I/O port
		A08		Serves as an external address pin in non-multiplex mode.
		X0A		32 kHz oscillator connecting pin
12	14	P41	A/D	General-purpose I/O port
		A09		Serves as an external address pin in non-multiplex mode.
		X1A		32 kHz oscillator connecting pin
13	15	VCC	-	Power supply pin
14	16	VSS	-	Power supply pin (GND)
15	17	C	-	Regulator stabilization capacity connecting pin
16	18	P42	E	General-purpose I/O port
		A10		Serves as an external address pin in non-multiplex mode.
		UI3		Multi-function serial input pin
17	19	P43	E	General-purpose I/O port
		A11		Serves as an external address pin in non-multiplex mode.
		UO3/ (SDA3)		Multi-function serial output pin
18	20	P44	E	General-purpose I/O port
		A12		Serves as an external address pin in non-multiplex mode.
		UCK3/ (SCL3)		Multi-function serial clock I/O pin
19	21	P45	E	General-purpose I/O port
		A13		Serves as an external address pin in non-multiplex mode.
		UI4		Multi-function serial input pin

(Continued)



# MB90880 Series

Pin no.		Pin name	I/O circuit type*3	Function
LQFP *1	QFP *2			
20	22	P46	E	General-purpose I/O port
		A14		Serves as an external address pin in non-multiplex mode.
		UO4/ (SDA4)		Multi-function serial output pin
21	23	P47	E	General-purpose I/O port
		A15		Serves as an external address pin in non-multiplex mode.
		UCK4/ (SCL4)		Multi-function serial clock I/O pin
22	24	P90	H	General-purpose I/O port
		CS0		Chip select 0
		AN8		Analog input pin
23	25	P91	H	General-purpose I/O port
		CS1		Chip select 1
		AN9		Analog input pin
24	26	P92	H	General-purpose I/O port
		CS2		Chip select 2
		AN10		Analog input pin
25	27	P93	H	General-purpose I/O port
		CS3		Chip select 3
		AN11		Analog input pin
26	28	P94	H	General-purpose I/O port
		AN12		Analog input pin
27	29	P95	K	General-purpose I/O port
		AN13		Analog input pin
		(UI3)		Multi-function serial input pin (when set by P9FSR register)
28	30	P96	K	General-purpose I/O port
		AN14		Analog input pin
		(UO3)/ (SDA3)		Multi-function serial output pin (when set by P9FSR register)
29	31	P97	K	General-purpose I/O port
		AN15		Analog input pin
		(UCK3)/ (SCL3)		Multi-function serial clock I/O pin (when set by P9FSR register)
30	32	AVCC	-	A/D converter power supply pin
31	33	AVRH	-	A/D converter external reference power supply pin
32	34	P70	H	General-purpose I/O port
		AN16		Analog input pin

(Continued)

# MB90880 Series

Pin no.		Pin name	I/O circuit type*3	Function
LQFP *1	QFP *2			
33	35	AVSS	-	A/D converter power supply pin
34	36	P60	H	General-purpose I/O port
		AN0		Analog input pin
35	37	P61	H	General-purpose I/O port
		AN1		Analog input pin
36	38	P62	H	General-purpose I/O port
		AN2		Analog input pin
37	39	P63	H	General-purpose I/O port
		AN3		Analog input pin
38	40	P64	H	General-purpose I/O port
		AN4		Analog input pin
39	41	P65	H	General-purpose I/O port
		AN5		Analog input pin
40	42	P66	H	General-purpose I/O port
		AN6		Analog input pin
41	43	P67	H	General-purpose I/O port
		AN7		Analog input pin
42	44	VSS	-	Power supply pin (GND)
43	45	P71	K	General-purpose I/O port
		IRQ10		External interrupt input pin
		AN17		Analog input pin
		(UI4)		Multi-function serial input pin (when set by P7FSR register)
44	46	P72	K	General-purpose I/O port
		IRQ11		External interrupt input pin
		AN18		Analog input pin
		(UO4)/ (SDA4)		Multi-function serial output pin (when set by P7FSR register)
45	47	P73	K	General-purpose I/O port
		IRQ12		External interrupt input pin
		AN19		Analog input pin
		(UCK4)/ (SCL4)		Multi-function serial clock I/O pin (when set by F7FSR register)
46	48	P74	G	General-purpose I/O port
		IRQ13		External interrupt input pin
		UI5		Multi-function serial input pin

(Continued)

# MB90880 Series

Pin no.		Pin name	I/O circuit type*3	Function
LQFP *1	QFP *2			
47	49	P75	G	General-purpose I/O port
		UO5/ (SDA5)		Multi-function serial output pin
48	50	P76	G	General-purpose I/O port
		IRQ14		External interrupt input pin
		UCK5/ (SCL5)		Multi-function serial clock I/O pin
49	51	MD2	L	Operation mode specification input pin
50	52	MD1	L	Operation mode specification input pin
51	53	MD0	L	Operation mode specification input pin
52	54	$\overline{\text{RST}}$	B	Reset input pin
53	55	P80	G	General-purpose I/O port
		IRQ15		External interrupt input pin
		UI6		Multi-function serial input pin
54	56	P81	G	General-purpose I/O port
		UO6/ (SDA6)		Multi-function serial output pin
55	57	P82	G	General-purpose I/O port
		IRQ16		External interrupt input pin
		UCK6/ (SCL6)		Multi-function serial clock I/O pin
56	58	P83	I	General-purpose I/O port
		IRQ17		External interrupt input pin
57	59	P84	G	General-purpose I/O port
		UI0		Multi-function serial input pin
58	60	P85	G	General-purpose I/O port
		UO0/ (SDA0)		Multi-function serial output pin
59	61	P86	G	General-purpose I/O port
		UCK0/ (SCL0)		Multi-function serial clock I/O pin
60	62	P87	I	General-purpose I/O port
		IRQ18		External interrupt input pin
		ADTG		External trigger input pin, when A/D converter is used.
61	63	PA0	J	General-purpose I/O port
		IRQ19		External interrupt input pin
		(PPG4)		PPG timer output pin (when set by PAFSR register)

(Continued)

# MB90880 Series

Pin no.		Pin name	I/O circuit type*3	Function
LQFP *1	QFP *2			
62	64	PA1	J	General-purpose I/O port
		IRQ20		External interrupt input pin
		(PPG5)		PPG timer output pin (when set by PAFSR register)
63	65	DVCC	-	PA port power supply pin
64	66	DVSS	-	PA port power supply pin (GND)
65	67	PA2	J	General-purpose I/O port
		IRQ21		External interrupt input pin
		(PPG6)		PPG timer output pin (when set by PAFSR register)
66	68	PA3	J	General-purpose I/O port
		IRQ22		External interrupt input pin
		(PPG7)		PPG timer output pin (when set by PAFSR register)
67	69	P50	F	General-purpose I/O port
		ALE		Serves as address latch enable signal (ALE) pin in external bus mode.
68	70	P51	F	General-purpose I/O port
		$\overline{RD}$		Serves as read strobe output ( $\overline{RD}$ ) pin in external bus mode.
69	71	P52	F	General-purpose I/O port
		$\overline{WRL}$		Serves as lower data write strobe output ( $\overline{WRL}$ ) pin in external bus mode, and serves as a general-purpose I/O port when WRE bit in EPCR register is "0".
70	72	P53	F	General-purpose I/O port
		$\overline{WRH}$		Serves as higher data write strobe output ( $\overline{WRH}$ ) pin in external bus mode with 16-bit bus width, and serves as a general-purpose I/O port when WRE bit in EPCR register is "0".
		IRQ23		External interrupt input pin
71	73	P54	F	General-purpose I/O port
		HRQ		Serves as hold request input (HRQ) pin in external bus mode, and serves as a general-purpose I/O port when HDE bit in EPCR register is "0".
		PPG4		PPG timer output pin
72	74	P55	F	General-purpose I/O port
		$\overline{HAK}$		Serves as hold acknowledge output ( $\overline{HAK}$ ) pin in external bus mode, and serves as a general-purpose I/O port when HDE bit in EPCR register is "0".
		PPG5		PPG timer output pin

(Continued)

# MB90880 Series

Pin no.		Pin name	I/O circuit type*3	Function
LQFP *1	QFP *2			
73	75	P56	F	General-purpose I/O port
		RDY		Serves as external ready input (RDY) pin in external bus mode, and serves as a general-purpose I/O port when RYE bit in EPCR register is "0".
		PPG6		PPG timer output pin
74	76	P57	F	General-purpose I/O port
		CLK		Serves as machine cycle clock output (CLK) pin in external bus mode, and serves as a general-purpose I/O port when CKE bit in EPCR register is "0".
		PPG7		PPG timer output pin
75	77	P00	C	General-purpose I/O port
		AD00/D00		In multiplex mode, it serves as lower external address/data bus I/O pin.
		IRQ0		Serves as lower external data bus output pin in non-multiplex mode. External interrupt input pin
76	78	P01	C	General-purpose I/O port
		AD01/D01		Serves as an external address/lower data bus I/O pin in multiplex mode. Serves as a lower external data bus output pin in non-multiplex mode.
		IRQ1		External interrupt input pin
77	79	P02	C	General-purpose I/O port
		AD02/D02		Serves as an external address/lower data bus I/O pin in multiplex mode. Serves as a lower external data bus output pin in non-multiplex mode.
		IRQ2		External interrupt input pin
78	80	P03	C	General-purpose I/O port
		AD03/D03		Serves as an external address/lower data bus I/O pin in multiplex mode. Serves as a lower external data bus output pin in non-multiplex mode.
		IRQ3		External interrupt input pin
79	81	P04	C	General-purpose I/O port
		AD04/D04		In multiplex mode, it serves as lower external address/data bus I/O pin. Serves as a lower external data bus output pin in non-multiplex mode.
		IRQ4		External interrupt input pin

(Continued)

# MB90880 Series

Pin no.		Pin name	I/O circuit type*3	Function
LQFP *1	QFP *2			
80	82	P05	C	General-purpose I/O port
		AD05/D05		In multiplex mode, it serves as lower external address/data bus I/O pin.
				Serves as a lower external data bus output pin in non-multiplex mode.
		IRQ5		External interrupt input pin
81	83	P06	C	General-purpose I/O port
		AD06/D06		In multiplex mode, it serves as lower external address/data bus I/O pin.
				Serves as a lower external data bus output pin in non-multiplex mode.
		IRQ6		External interrupt input pin
82	84	P07	C	General-purpose I/O port
		AD07/D07		In multiplex mode, it serves as lower external address/data bus I/O pin.
				Serves as a lower external data bus output pin in non-multiplex mode.
		IRQ7		External interrupt input pin
83	85	P10	C	General-purpose I/O port
		AD08/D08		In multiplex mode, it serves as higher external address/data bus I/O pin.
				In non-multiplex mode, it serves as higher external data output pin.
		OUT0		Output compare event output pin
84	86	P11	C	General-purpose I/O port
		AD09/D09		In multiplex mode, it serves as higher external address/data bus I/O pin.
				In non-multiplex mode, it serves as higher external data output pin.
		OUT1		Output compare event output pin
85	87	P12	C	General-purpose I/O port
		AD10/D10		In multiplex mode, it serves as higher external address/data bus I/O pin.
				In non-multiplex mode, it serves as higher external data output pin.
		OUT2		Output compare event output pin
86	88	P13	C	General-purpose I/O port
		AD11/D11		In multiplex mode, it serves as higher external address/data bus I/O pin.
				In non-multiplex mode, it serves as higher external data output pin.
		OUT3		Output compare event output pin

(Continued)

# MB90880 Series

Pin no.		Pin name	I/O circuit type*3	Function
LQFP *1	QFP *2			
87	89	P14	C	General-purpose I/O port
		AD12/ D12		In non-multiplex mode, it serves as higher external data output pin.
		OUT4		Output compare event output pin
88	90	VCC	-	Power supply pin
89	91	VSS	-	Power supply pin (GND)
90	92	X1	A	Main oscillator connecting pin
91	93	X0	A	Main oscillator connecting pin
92	94	P15	C	General-purpose I/O port
		AD13/ D13		In multiplex mode, it serves as higher external address/data bus I/O pin.
				In non-multiplex mode, it serves as higher external data output pin.
		OUT5		Output compare event output pin
93	95	P16	C	General-purpose I/O port
		AD14/ D14		In multiplex mode, it serves as higher external address/data bus I/O pin.
				In non-multiplex mode, it serves as higher external data output pin.
		IN0		Trigger input pin for input capture ch.0
94	96	P17	C	General-purpose I/O port
		AD15/ D15		In multiplex mode, it serves as higher external address/data bus I/O pin.
				In non-multiplex mode, it serves as higher external data output pin.
		IN1		Trigger input pin for input capture ch.1
95	97	P20	D	General-purpose I/O port
		A16		In multiplex mode, it serves as higher address output pin (A16) when corresponding bit in external address output control register (HACR) is set to "0".
				In non-multiplex mode, it serves as higher address output pin (A16) when corresponding bit in external address output control register (HACR) is set to "0".
		PPG0		PPG timer output pin
96	98	P21	D	General-purpose I/O port
		A17		In multiplex mode, it serves as higher address output pin (A17) when corresponding bit in external address output control register (HACR) is set to "0".
				In non-multiplex mode, it serves as higher address output pin (A17) when corresponding bit in external address output control register (HACR) is set to "0".
		PPG1		PPG timer output pin

(Continued)

# MB90880 Series

(Continued)

Pin no.		Pin name	I/O circuit type*3	Function
LQFP *1	QFP *2			
97	99	P22	D	General-purpose I/O port
		A18		In multiplex mode, it serves as higher address output pin (A18) when corresponding bit in external address output control register (HACR) is set to "0".
				In non-multiplex mode, it serves as higher address output pin (A18) when corresponding bit in external address output control register (HACR) is set to "0".
		PPG2		PPG timer output pin
98	100	P23	D	General-purpose I/O port
		A19		In multiplex mode, it serves as higher address output pin (A19) when corresponding bit in external address output control register (HACR) is set to "0".
				In non-multiplex mode, it serves as higher address output pin (A19) when corresponding bit in external address output control register (HACR) is set to "0".
		PPG3		PPG timer output pin
99	1	P24	D	General-purpose I/O port
		A20		In multiplex mode, it serves as higher address output pin (A20) when corresponding bit in external address output control register (HACR) is set to "0".
				In non-multiplex mode, it serves as higher address output pin (A20) when corresponding bit in external address output control register (HACR) is set to "0".
		TIO0		Base timer I/O pin (ch.0)
100	2	P25	D	General-purpose I/O port
		A21		In multiplex mode, it serves as higher address output pin (A21) when corresponding bit in external address output control register (HACR) is set to "0".
				In non-multiplex mode, it serves as higher address output pin (A21) when corresponding bit in external address output control register (HACR) is set to "0".
		TIO1		Base timer I/O pin (ch.1)

\*1 : LQFP : FPT-100P-M20

\*2 : QFP : FPT-100P-M06

\*3 : For the I/O circuit type, refer to "■ I/O CIRCUIT TYPE".



## ■ I/O CIRCUIT TYPE

Type	Circuit	Remarks
A		<ul style="list-style-type: none"> <li>Oscillation feedback resistance X1, X0 : approx. 1 M<math>\Omega</math> X1A, X0A : approx. 10 M<math>\Omega</math></li> <li>Standby control provided</li> </ul>
B		Hysteresis input with pull-up resistor
C		<ul style="list-style-type: none"> <li>Input pull-up resistor control provided</li> <li>CMOS level output</li> <li>Hysteresis input</li> <li>CMOS input (in external bus mode)</li> </ul>
D		<ul style="list-style-type: none"> <li>CMOS level output</li> <li>Hysteresis input</li> </ul>
E		<ul style="list-style-type: none"> <li>CMOS level output</li> <li>Hysteresis input</li> <li>I<sup>2</sup>C level hysteresis input</li> </ul>

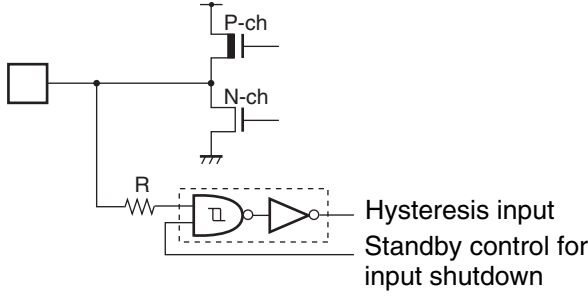
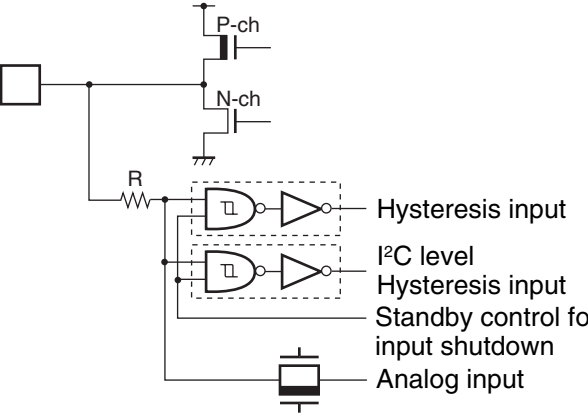
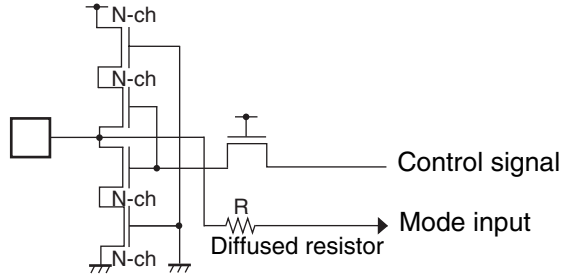
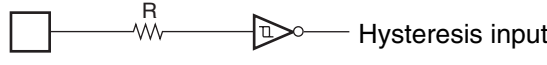
(Continued)

# MB90880 Series

Type	Circuit	Remarks
F	<p>CMOS input Hysteresis input Standby control for input shutdown</p>	<ul style="list-style-type: none"> <li>• CMOS level output</li> <li>• Hysteresis input</li> <li>• CMOS input (in external bus mode)</li> </ul>
G	<p>Open-drain control signal Hysteresis input I²C level hysteresis input Standby control for input shutdown</p>	<ul style="list-style-type: none"> <li>• CMOS level output (Open-drain control provided)</li> <li>• 5V tolerant</li> <li>• Hysteresis input</li> <li>• I²C level hysteresis input</li> </ul>
H	<p>Hysteresis input Standby control for input shutdown Analog input</p>	<ul style="list-style-type: none"> <li>• CMOS level output</li> <li>• Hysteresis input</li> <li>• Analog input</li> </ul>
I	<p>Open-drain control signal Hysteresis input Standby control for input shutdown</p>	<ul style="list-style-type: none"> <li>• CMOS level output (Open-drain control provided)</li> <li>• 5V tolerant</li> <li>• Hysteresis input</li> </ul>

(Continued)

(Continued)

Type	Circuit	Remarks
J	 <p>Hysteresis input Standby control for input shutdown</p>	<ul style="list-style-type: none"> <li>• CMOS/level output (high-current type)</li> <li>• Hysteresis input</li> </ul>
K	 <p>Hysteresis input I<sup>2</sup>C level Hysteresis input Standby control for input shutdown Analog input</p>	<ul style="list-style-type: none"> <li>• CMOS level output</li> <li>• Hysteresis input</li> <li>• Analog input</li> <li>• I<sup>2</sup>C level hysteresis input</li> </ul>
L	<p>Flash memory product</p>  <p>Control signal Mode input Diffused resistor</p>	<p>Flash memory product</p> <ul style="list-style-type: none"> <li>• CMOS level input</li> <li>• High-voltage control for flash test provided</li> </ul>
	<p>MASK ROM product</p>  <p>Hysteresis input</p>	<p>MASK ROM product</p> <p>Hysteresis input</p>

# MB90880 Series

## ■ HANDLING DEVICES

### 1. Maximum rated voltages for the prevention of latch-up

Be cautious not to exceed the absolute maximum rating.

CMOS ICs may cause latch-up, when a voltage higher than  $V_{CC}$  or lower than  $V_{SS}$  is applied to input or output pins other than medium-to-high resistant pins, or when a voltage exceeding the rating is applied between  $V_{CC}$  and  $V_{SS}$  pins.

If latch-up occurs, the power supply current increases rapidly, sometimes resulting in thermal breakdown of the device. Take the utmost care not to let it occur.

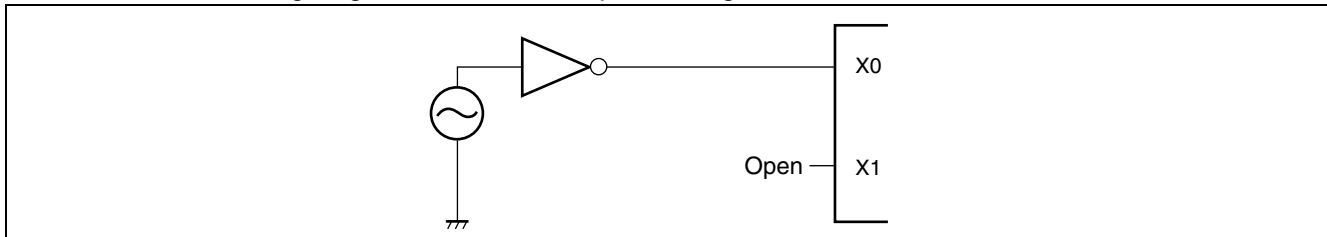
Likewise, care must be taken not to allow the analog power supply ( $AV_{CC}$ ,  $AVRH$ ) and analog input to exceed the digital power supply ( $V_{CC}$ ) when turning on or off any analog system.

### 2. Handling unused pins

Leaving unused input pins open may cause a malfunction or latch-up which leads to fatal damage to the device. Therefore, they must be pulled up or down through at least  $2\text{ k}\Omega$  resistance. Also, any unused I/O pin should be left open in the output state, or set to the input state and handled in the same way as an unused input pin.

### 3. Notes on using external clock

Even when an external clock is being used, oscillation stabilization wait time is required for a power-on reset or release from sub clock mode or stop mode. Note that 25 MHz is the upper limit on the external clock that can be used. The following diagram shows an example of using an external clock.



### 4. Handling power supply pins ( $V_{CC}/V_{SS}$ )

When multiple  $V_{CC}$  and  $V_{SS}$  pins supply pins are used, all the power supply pins must be connected to external power and ground lines due to the device design, to reduce latch-up and unwanted radiation, prevent abnormal operation of strobe signals caused by the rise in the ground level and to conform to the total output current rating. Make sure to connect the  $V_{CC}$  and  $V_{SS}$  pins of this device via lowest impedance to power lines. It is recommended that a bypass capacitor of around  $0.1\ \mu\text{F}$  be placed between the  $V_{CC}$  and  $V_{SS}$  pins near the device.

### 5. Crystal oscillator circuit

Noises around  $X0/X1$  or  $X0A/X1A$  pins may cause abnormal operations. It is strongly recommended to provide bypass capacitors via shortest distance from  $X0/X1$ ,  $X0A/X1A$  pins, crystal oscillator (or ceramic oscillator) and ground lines and also not to allow the lines of the oscillation circuit to cross the lines of other circuits. This will ensure stable operations of the printed circuit boards. Please ask each crystal maker to evaluate the oscillational characteristics of the crystal and this device.

### 6. Notes on PLL clock mode operation

If an oscillator comes off or clock input stops during PLL clock mode operation, this microcontroller may continue its operation using a free-running frequency from a self-excited oscillation circuit within PLL. This is not a guaranteed operation.

## 7. Power-on and power-off sequence of A/D converter and analog input

Turn on the A/D converters ( $AV_{CC}$ ,  $AVRH$ ) and analog inputs ( $AN0$  to  $AN19$ ) after turning on the digital power supply ( $V_{CC}$ ).

During power-off, turn off the digital power supply ( $V_{CC}$ ) after turning off the A/D converters and analog inputs ( $AN0$  to  $AN19$ ).

In this case, make sure that  $AVRH$  does not exceed  $AV_{CC}$  during the power-on/power-off procedure.

Also make sure that the input voltage does not exceed  $AV_{CC}$  when a pin which is also used as an analog input is used as an input port.

## 8. Handling power supply pins on A/D converter-mounted models

Make sure to achieve " $AV_{CC} = AVRH = V_{CC}$ " and " $AV_{SS} = V_{SS}$ " in connecting the circuits, even when not using the A/D converter function.

## 9. Note on power-up

To prevent the internal regulator from malfunctioning, maintain the voltage rise time at  $50 \mu s$  (between  $0.2V$  and  $2.7V$ ) or more during power-up.

## 10. Stabilization of power supply

Even when the  $V_{CC}$  power supply voltage is within the specified operating range, it may still cause the device to malfunction, if the power supply changes rapidly. For stabilization reference, it is recommended to control the supply voltage so that  $V_{CC}$  ripple variations (P-P values) at commercial frequencies ( $50/60$  Hz) fall below 10% of the standard  $V_{CC}$  supply voltage and the coefficient of fluctuation does not exceed  $0.1$  V/ms at instantaneous power switching.

## 11. Writing to Flash memory

For serial writing to Flash memory, always make sure that the operating voltage  $V_{CC}$  is between  $3.13V$  and  $3.6V$ .

For normal writing to Flash memory, always make sure that the operating voltage  $V_{CC}$  is between  $3.0V$  and  $3.6V$ .

## 12. P90/CS0 pins

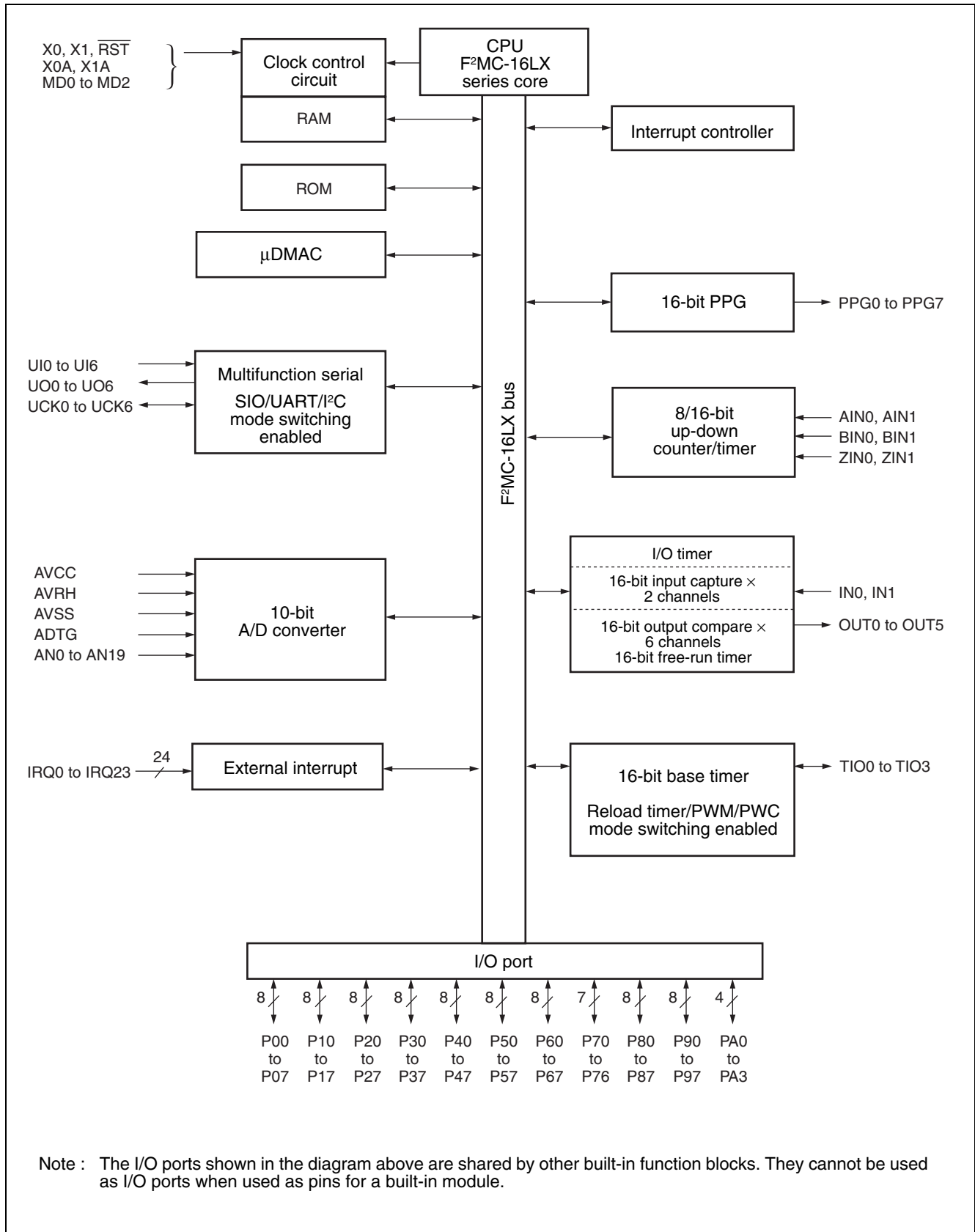
P90/CS0 pins output "L" during writing Flash serial. Do not input from external.

## 13. Note of MB90F883 (S) , MB90F884 (S)

- Maximum operating frequency is 25 MHz.
- The base timer cannot use P24/TIO0, P25/TIO1, P26/TIO2, and P27/TIO3 as input function.
- MB90F883(S) and MB90F884(S) do not contain the flash security feature and write-protect feature.

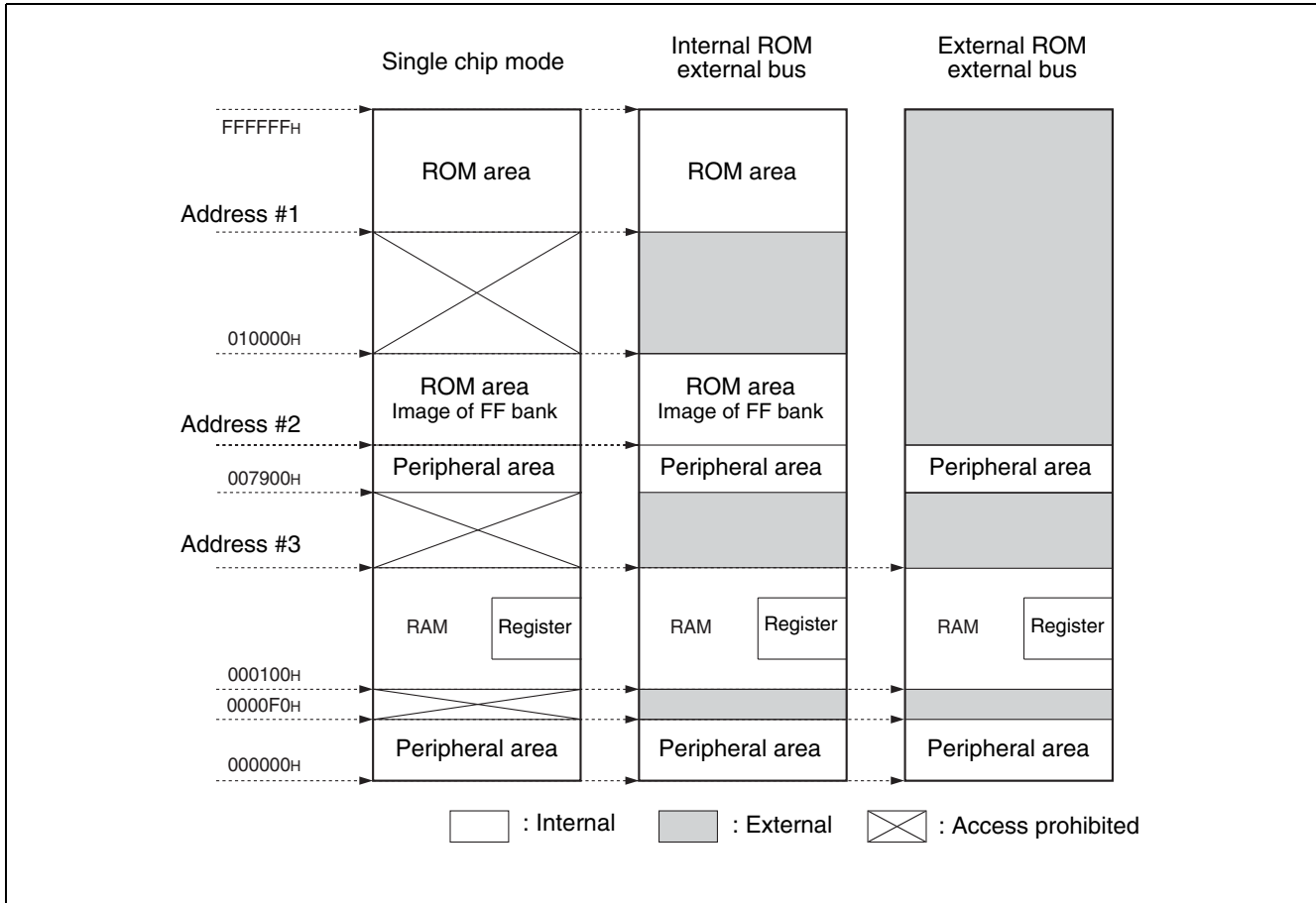
# MB90880 Series

## ■ BLOCK DIAGRAM



Note : The I/O ports shown in the diagram above are shared by other built-in function blocks. They cannot be used as I/O ports when used as pins for a built-in module.

## MEMORY MAP



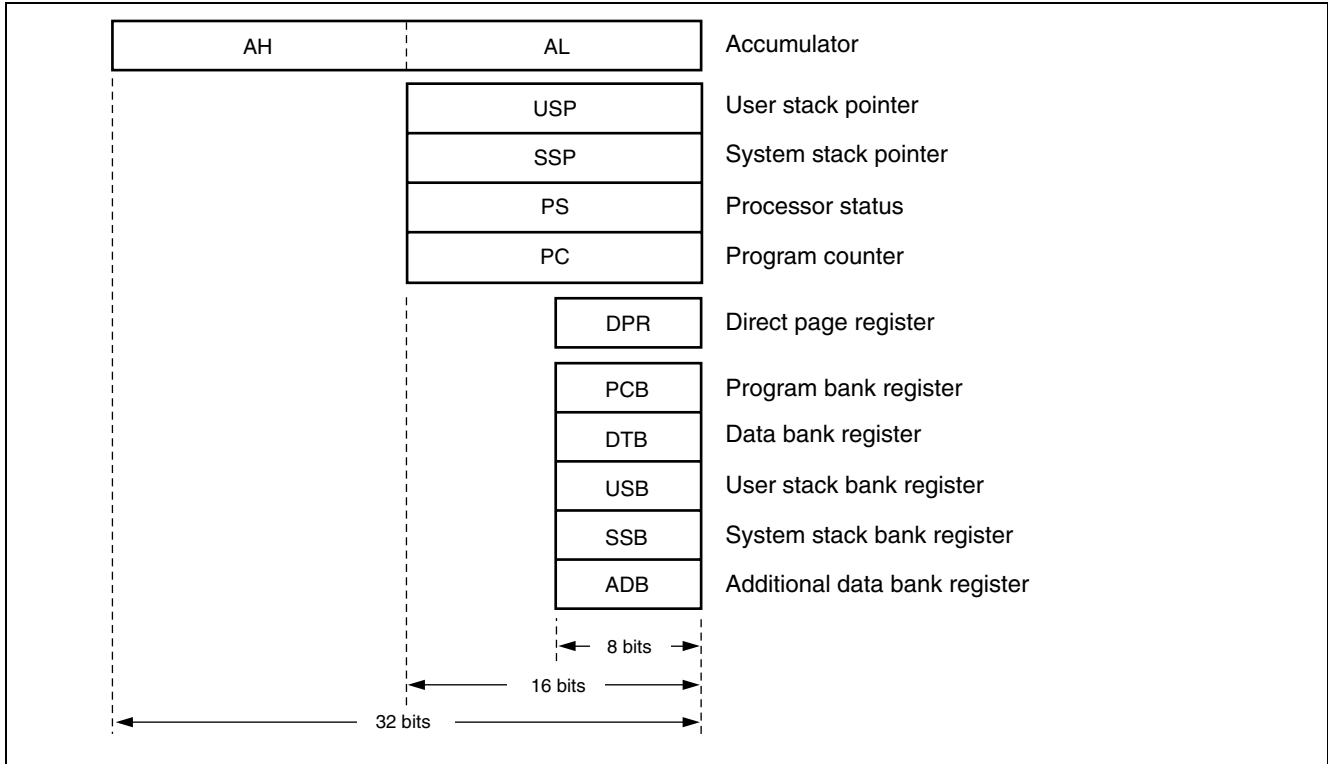
Parts No.	Address #1	Address #2	Address #3
MB90882 (S)	FC0000 <sub>H</sub>	008000 <sub>H</sub> , fixed	004100 <sub>H</sub>
MB90F882 (S)	FC0000 <sub>H</sub>		004100 <sub>H</sub>
MB90883 (S)	FA0000 <sub>H</sub>		006100 <sub>H</sub>
MB90F883 (S) / MB90F883A (S)	FA0000 <sub>H</sub>		006100 <sub>H</sub>
MB90884 (S)	F80000 <sub>H</sub>		007900 <sub>H</sub>
MB90F884 (S) / MB90F884A (S)	F80000 <sub>H</sub>		007900 <sub>H</sub>
MB90V880 (S)	(F80000 <sub>H</sub> )		007900 <sub>H</sub>

Note : The image of the ROM data in the FF band appears at the top of the 00 bank in order to enable efficient use of the C compiler small memory model. The lower 16-bit address for the FF bank will be assigned to the same address, so that tables in ROM can be referenced without declaring a "far" indication with the pointer. For example, when accessing the address 00C000<sub>H</sub>, the actual access is to address FFC000<sub>H</sub> in ROM. Here the FF bank ROM area exceeds 32 Kbytes, it is not possible to see the entire area in the 00 bank image. Therefore, the ROM data in FF8000<sub>H</sub> to FFFFFFF<sub>H</sub> can be seen in the 00 bank image, while the data in FF0000<sub>H</sub> to FF7FFF<sub>H</sub> can only be seen in the FF bank.

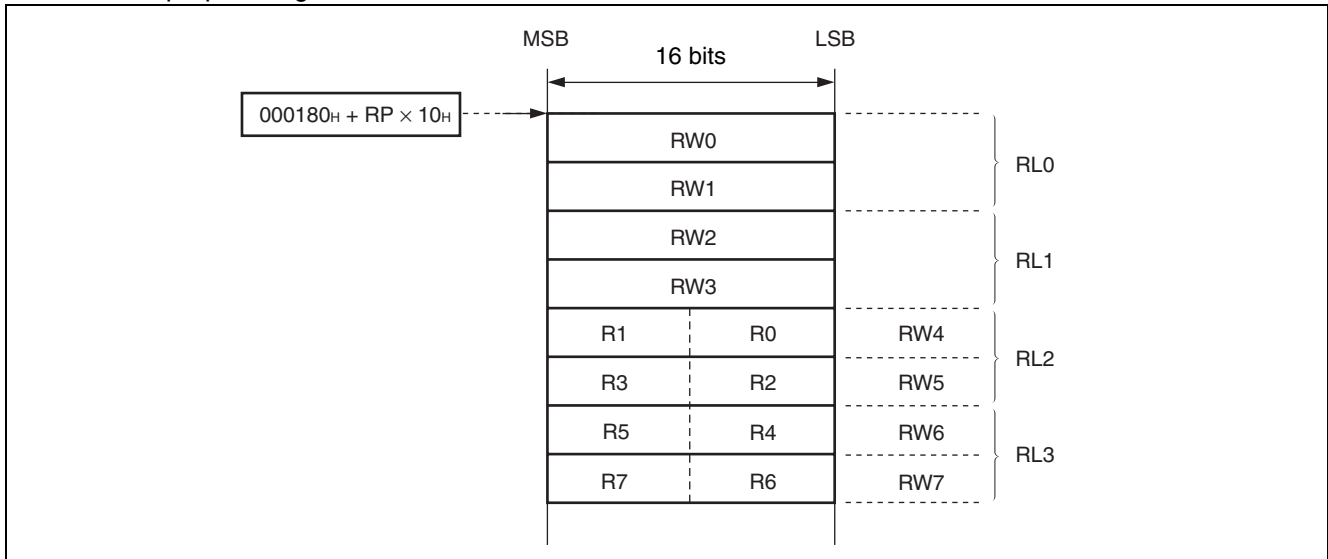
# MB90880 Series

## ■ F<sup>2</sup>MC-16L CPU PROGRAMMING MODEL

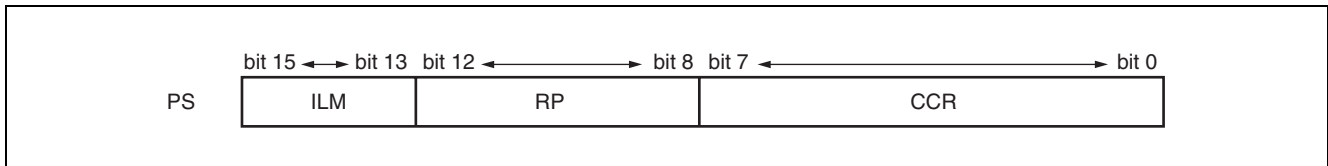
- Dedicated register



- General-purpose register



- Processor status





## ■ I/O MAP

Address	Register abbreviation	Register name	R/W	Resource	Initial value
000000 <sub>H</sub>	PDR0	Port 0 data register	R/W	Port 0	XXXXXXXX <sub>B</sub>
000001 <sub>H</sub>	PDR1	Port 1 data register	R/W	Port 1	XXXXXXXX <sub>B</sub>
000002 <sub>H</sub>	PDR2	Port 2 data register	R/W	Port 2	XXXXXXXX <sub>B</sub>
000003 <sub>H</sub>	PDR3	Port 3 data register	R/W	Port 3	XXXXXXXX <sub>B</sub>
000004 <sub>H</sub>	PDR4	Port 4 data register	R/W	Port 4	XXXXXXXX <sub>B</sub>
000005 <sub>H</sub>	PDR5	Port 5 data register	R/W	Port 5	XXXXXXXX <sub>B</sub>
000006 <sub>H</sub>	PDR6	Port 6 data register	R/W	Port 6	XXXXXXXX <sub>B</sub>
000007 <sub>H</sub>	PDR7	Port 7 data register	R/W	Port 7	XXXXXXXX <sub>B</sub>
000008 <sub>H</sub>	PDR8	Port 8 data register	R/W	Port 8	XXXXXXXX <sub>B</sub>
000009 <sub>H</sub>	PDR9	Port 9 data register	R/W	Port 9	XXXXXXXX <sub>B</sub>
00000A <sub>H</sub>	PDRA	Port A data register	R/W	Port A	XXXXXXXX <sub>B</sub>
00000B <sub>H</sub>	UDER	Up-down timer input enable register	R/W	Up-down timer input control	XX000000 <sub>B</sub>
00000C <sub>H</sub>	ILSR0	Serial input level selection register 0	R/W	Multi-function serial control	00000000 <sub>B</sub>
00000D <sub>H</sub>	ILSR1	Serial input level selection register 1	R/W		00000000 <sub>B</sub>
00000E <sub>H</sub>	ILSR2	Serial input level selection register 2	R/W		---00000 <sub>B</sub>
00000F <sub>H</sub>	Disabled				
000010 <sub>H</sub>	DDR0	Port 0 direction register	R/W	Port 0	00000000 <sub>B</sub>
000011 <sub>H</sub>	DDR1	Port 1 direction register	R/W	Port 1	00000000 <sub>B</sub>
000012 <sub>H</sub>	DDR2	Port 2 direction register	R/W	Port 2	00000000 <sub>B</sub>
000013 <sub>H</sub>	DDR3	Port 3 direction register	R/W	Port 3	00000000 <sub>B</sub>
000014 <sub>H</sub>	DDR4	Port 4 direction register	R/W	Port 4	00000000 <sub>B</sub>
000015 <sub>H</sub>	DDR5	Port 5 direction register	R/W	Port 5	00000000 <sub>B</sub>
000016 <sub>H</sub>	DDR6	Port 6 direction register	R/W	Port 6	00000000 <sub>B</sub>
000017 <sub>H</sub>	DDR7	Port 7 direction register	R/W	Port 7	-0000000 <sub>B</sub>
000018 <sub>H</sub>	DDR8	Port 8 direction register	R/W	Port 8	00000000 <sub>B</sub>
000019 <sub>H</sub>	DDR9	Port 9 direction register	R/W	Port 9	00000000 <sub>B</sub>
00001A <sub>H</sub>	DDRA	Port A direction register	R/W	Port A	----0000 <sub>B</sub>
00001B <sub>H</sub>	ADER0	Analog input enable register 0	R/W	Port 6, A/D	11111111 <sub>B</sub>
00001C <sub>H</sub>	ADER1	Analog input enable register 1	R/W	Port 9, A/D	11111111 <sub>B</sub>
00001D <sub>H</sub>	ADER2	Analog input enable register 2	R/W	Port 7, A/D	----1111 <sub>B</sub>
00001E <sub>H</sub>	RDR0	Port 0 input resistance register	R/W	Port 0 (pull-up resistance control)	00000000 <sub>B</sub>
00001F <sub>H</sub>	RDR1	Port 1 input resistance register	R/W	Port 1 (pull-up resistance control)	00000000 <sub>B</sub>

(Continued)

# MB90880 Series

Address	Register abbreviation	Register name	R/W	Resource	Initial value
000020 <sub>H</sub>	SMR0	Serial bus mode register ch.0	R/W	Multi-function serial ch.0	\$\$\$\$\$\$\$\$ <sub>B</sub>
000021 <sub>H</sub>	SCR0/IBCR0	SCR0/IBCR0 serial bus control register/I <sup>2</sup> C bus control register ch.0	R/W		\$\$\$\$\$\$\$\$ <sub>B</sub>
000022 <sub>H</sub>	ESCR0/IBSR0	Extended communication control register/I <sup>2</sup> C bus status register ch.0	R/W		\$\$\$\$\$\$\$\$ <sub>B</sub>
000023 <sub>H</sub>	SSR0	Serial status register ch.0	R/W		\$\$\$\$\$\$\$\$ <sub>B</sub>
000024 <sub>H</sub>	RDR00/TDR00	Transmission/reception data register 0 ch.0	R,W		\$\$\$\$\$\$\$\$ <sub>B</sub>
000025 <sub>H</sub>	RDR10/TDR10	Transmission/reception data register 1 ch.0	R,W		\$\$\$\$\$\$\$\$ <sub>B</sub>
000026 <sub>H</sub>	BGR00	Baud rate generator register 0 ch.0	R/W		\$\$\$\$\$\$\$\$ <sub>B</sub>
000027 <sub>H</sub>	BGR10	Baud rate generator register 1 ch.0	R/W		\$\$\$\$\$\$\$\$ <sub>B</sub>
000028 <sub>H</sub>	ISBA0	7-bit slave address register ch.0	R/W		00000000 <sub>B</sub>
000029 <sub>H</sub>	ISMK0	7-bit slave address mask register ch.0	R/W		01111111 <sub>B</sub>
00002A <sub>H</sub>	SMR1	Serial bus mode register ch.1	R/W	Multi-function serial ch.1	\$\$\$\$\$\$\$\$ <sub>B</sub>
00002B <sub>H</sub>	SCR1/IBCR1	Serial bus control register / I <sup>2</sup> C bus control register ch.1	R/W		\$\$\$\$\$\$\$\$ <sub>B</sub>
00002C <sub>H</sub>	ESCR1/IBSR1	Extended communication control register / I <sup>2</sup> C bus status register ch.1	R/W		\$\$\$\$\$\$\$\$ <sub>B</sub>
00002D <sub>H</sub>	SSR1	Serial status register ch.1	R/W		\$\$\$\$\$\$\$\$ <sub>B</sub>
00002E <sub>H</sub>	RDR01/TDR01	Transmission/reception data register 0 ch.1	R,W		\$\$\$\$\$\$\$\$ <sub>B</sub>
00002F <sub>H</sub>	RDR11/TDR11	Transmission/reception data register 1 ch.1	R,W		\$\$\$\$\$\$\$\$ <sub>B</sub>
000030 <sub>H</sub>	BGR01	Baud rate generator register 0 ch.1	R/W		\$\$\$\$\$\$\$\$ <sub>B</sub>
000031 <sub>H</sub>	BGR11	Baud rate generator register 1 ch.1	R/W		\$\$\$\$\$\$\$\$ <sub>B</sub>
000032 <sub>H</sub>	ISBA1	7-bit slave address register ch.1	R/W		00000000 <sub>B</sub>
000033 <sub>H</sub>	ISMK1	7-bit slave address mask register ch.1	R/W		01111111 <sub>B</sub>
000034 <sub>H</sub>	ADCSL	Lower A/D control status register	R/W	A/D Converter	00011110 <sub>B</sub>
000035 <sub>H</sub>	ADCSH	Higher A/D control status register	R/W		00000000 <sub>B</sub>
000036 <sub>H</sub>	ADCRL	Lower A/D data register	R		XXXXXXXX <sub>B</sub>
000037 <sub>H</sub>	ADCRH	Higher A/D data register	R		111111XX <sub>B</sub>
000038 <sub>H</sub>	ADSRL	Lower A/D conversion channel setting register	R/W		00000000 <sub>B</sub>
000039 <sub>H</sub>	ADSRH	Higher A/D conversion channel setting register	R/W		00000000 <sub>B</sub>
00003A <sub>H</sub>	Reserved				

(Continued)

# MB90880 Series

Address	Register abbreviation	Register name	R/W	Resource	Initial value	
00003BH	PACSR1	Address detection control status register 1	R/W	Address match detection function	00000000 <sub>B</sub>	
00003CH	OLSR0	Output level selection register 0	R/W	Port 7 (N-ch open-drain control)	-000---- <sub>B</sub>	
00003DH	OLSR1	Output level selection register 1	R/W	Port 8 (N-ch open-drain control)	00000000 <sub>B</sub>	
00003EH	SMR2	Serial bus mode register ch.2	R/W	Multi-function serial ch.2	\$\$\$\$\$\$\$\$ <sub>B</sub>	
00003FH	SCR2/IBCR2	Serial bus control register / I <sup>2</sup> C bus control register ch.2	R/W		\$\$\$\$\$\$\$\$ <sub>B</sub>	
000040H	ESCR2/IBSR2	Extended communication control register / I <sup>2</sup> C bus status register ch.2	R/W		\$\$\$\$\$\$\$\$ <sub>B</sub>	
000041H	SSR2	Serial status register ch.2	R/W		\$\$\$\$\$\$\$\$ <sub>B</sub>	
000042H	RDR02/TDR02	Transmission/reception data register 0 ch.2	R,W		\$\$\$\$\$\$\$\$ <sub>B</sub>	
000043H	RDR12/TDR12	Transmission/reception data register 1 ch.2	R,W		\$\$\$\$\$\$\$\$ <sub>B</sub>	
000044H	BGR02	Baud rate generator register 0 ch.2	R/W		\$\$\$\$\$\$\$\$ <sub>B</sub>	
000045H	BGR12	Baud rate generator register 1 ch.2	R/W		\$\$\$\$\$\$\$\$ <sub>B</sub>	
000046H	ISBA2	7-bit slave address register ch.2	R/W		00000000 <sub>B</sub>	
000047H	ISMK2	7-bit slave address mask register ch.2	R/W		01111111 <sub>B</sub>	
000048H	SMR3	Serial bus mode register ch.3	R/W		Multi-function serial ch.3	\$\$\$\$\$\$\$\$ <sub>B</sub>
000049H	SCR3/IBCR3	Serial bus control register / I <sup>2</sup> C bus control register ch.3	R/W			\$\$\$\$\$\$\$\$ <sub>B</sub>
00004AH	ESCR3/IBSR3	Extended communication control register / I <sup>2</sup> C bus status register ch.3	R/W	\$\$\$\$\$\$\$\$ <sub>B</sub>		
00004BH	SSR3	Serial status register ch.3	R/W	\$\$\$\$\$\$\$\$ <sub>B</sub>		
00004CH	RDR03/TDR03	Transmission/reception data register 0 ch.3	R,W	\$\$\$\$\$\$\$\$ <sub>B</sub>		
00004DH	RDR13/TDR13	Transmission/reception data register 1 ch.3	R,W	\$\$\$\$\$\$\$\$ <sub>B</sub>		
00004EH	BGR03	Baud rate generator register 0 ch.3	R/W	\$\$\$\$\$\$\$\$ <sub>B</sub>		
00004FH	BGR13	Baud rate generator register 1 ch.3	R/W	\$\$\$\$\$\$\$\$ <sub>B</sub>		
000050H	ISBA3	7-bit slave address register ch.3	R/W	00000000 <sub>B</sub>		
000051H	ISMK3	7-bit slave address mask register ch.3	R/W	01111111 <sub>B</sub>		
000052H	SMR4	Serial bus mode register ch.4	R/W	Multi-function serial ch.4	\$\$\$\$\$\$\$\$ <sub>B</sub>	
000053H	SCR4/IBCR4	Serial bus control register / I <sup>2</sup> C bus control register ch.4	R/W		\$\$\$\$\$\$\$\$ <sub>B</sub>	

(Continued)

# MB90880 Series

Address	Register abbreviation	Register name	R/W	Resource	Initial value	
000054 <sub>H</sub>	ESCR4/ IBSR4	Extended communication control register / I <sup>2</sup> C bus status register ch.4	R/W	Multi-function serial ch.4	\$\$\$\$\$\$\$\$ <sub>B</sub>	
000055 <sub>H</sub>	SSR4	Serial status register ch.4	R/W		\$\$\$\$\$\$\$\$ <sub>B</sub>	
000056 <sub>H</sub>	RDR04/ TDR04	Transmission/reception data register 0 ch.4	R,W		\$\$\$\$\$\$\$\$ <sub>B</sub>	
000057 <sub>H</sub>	RDR14/ TDR14	Transmission/reception data register 1 ch.4	R,W		\$\$\$\$\$\$\$\$ <sub>B</sub>	
000058 <sub>H</sub>	BGR04	Baud rate generator register 0 ch.4	R/W		\$\$\$\$\$\$\$\$ <sub>B</sub>	
000059 <sub>H</sub>	BGR14	Baud rate generator register 1 ch.4	R/W		\$\$\$\$\$\$\$\$ <sub>B</sub>	
00005A <sub>H</sub>	ISBA4	7-bit slave address register ch.4	R/W		00000000 <sub>B</sub>	
00005B <sub>H</sub>	ISMK4	7-bit slave address mask register ch.4	R/W		01111111 <sub>B</sub>	
00005C <sub>H</sub>	SMR5	Serial bus mode register ch.5	R/W		Multi-function serial ch.5	\$\$\$\$\$\$\$\$ <sub>B</sub>
00005D <sub>H</sub>	SCR5/IBCR5	Serial bus control register / I <sup>2</sup> C bus control register ch.5	R/W	\$\$\$\$\$\$\$\$ <sub>B</sub>		
00005E <sub>H</sub>	ESCR5/ IBSR5	Extended communication control register / I <sup>2</sup> C bus status register ch.5	R/W	\$\$\$\$\$\$\$\$ <sub>B</sub>		
00005F <sub>H</sub>	SSR5	Serial status register ch.5	R/W	\$\$\$\$\$\$\$\$ <sub>B</sub>		
000060 <sub>H</sub>	RDR05/ TDR05	Transmission/reception data register 0 ch.5	R,W	\$\$\$\$\$\$\$\$ <sub>B</sub>		
000061 <sub>H</sub>	RDR15/ TDR15	Transmission/reception data register 1 ch.5	R,W	\$\$\$\$\$\$\$\$ <sub>B</sub>		
000062 <sub>H</sub>	BGR05	Baud rate generator register 0 ch.5	R/W	\$\$\$\$\$\$\$\$ <sub>B</sub>		
000063 <sub>H</sub>	BGR15	Baud rate generator register 1 ch.5	R/W	\$\$\$\$\$\$\$\$ <sub>B</sub>		
000064 <sub>H</sub>	ISBA5	7-bit slave address register ch.5	R/W	00000000 <sub>B</sub>		
000065 <sub>H</sub>	ISMK5	7-bit slave address mask register ch.5	R/W	01111111 <sub>B</sub>		
000066 <sub>H</sub>	OCCP0	Lower output compare register (ch.0)	R/W	16-bit I/O timer output compare (ch.0 to ch.5)	00000000 <sub>B</sub>	
000067 <sub>H</sub>		Higher output compare register (ch.0)			00000000 <sub>B</sub>	
000068 <sub>H</sub>	OCCP1	Lower output compare register (ch.1)	R/W		00000000 <sub>B</sub>	
000069 <sub>H</sub>		Higher output compare register (ch.1)			00000000 <sub>B</sub>	
00006A <sub>H</sub>	OCCP2	Lower output compare register (ch.2)	R/W		00000000 <sub>B</sub>	
00006B <sub>H</sub>		Higher output compare register (ch.2)			00000000 <sub>B</sub>	
00006C <sub>H</sub>	OCCP3	Lower output compare register (ch.3)	R/W		00000000 <sub>B</sub>	
00006D <sub>H</sub>		Higher output compare register (ch.3)			00000000 <sub>B</sub>	
00006E <sub>H</sub>	Reserved					
00006F <sub>H</sub>	ROMM	ROM mirror function selection register	R/W		ROM mirror function	-----1 <sub>B</sub>

(Continued)

# MB90880 Series

Address	Register abbreviation	Register name	R/W	Resource	Initial value
000070H	OCCP4	Lower output compare register (ch.4)	R/W	16-bit I/O timer output compare (ch.0 to ch.5)	00000000 <sub>B</sub>
000071H		Higher output compare register (ch.4)			00000000 <sub>B</sub>
000072H	OCCP5	Lower output compare register (ch.5)	R/W		00000000 <sub>B</sub>
000073H		Higher output compare register (ch.5)			00000000 <sub>B</sub>
000074H	OCS01	Lower output compare control register (ch.0, ch.1)	R/W		0000--00 <sub>B</sub>
000075H		Higher output compare control register (ch.0, ch.1)	R/W		---00000 <sub>B</sub>
000076H	OCS23	Lower output compare control register (ch.2, ch.3)	R/W		0000--00 <sub>B</sub>
000077H		Higher output compare control register (ch.2, ch.3)	R/W		---00000 <sub>B</sub>
000078H	OCS45	Lower output compare control register (ch.4, ch.5)	R/W		0000--00 <sub>B</sub>
000079H		Higher output compare control register (ch.4, ch.5)	R/W		---00000 <sub>B</sub>
00007AH	IPCP0	Lower input capture data register (ch.0)	R	6-bit I/O timer input capture (ch.0, ch.1)	XXXXXXXX <sub>B</sub>
00007BH		Higher input capture data register (ch.0)	R		XXXXXXXX <sub>B</sub>
00007CH	IPCP1	Lower input capture data register (ch.1)	R		XXXXXXXX <sub>B</sub>
00007DH		Higher input capture data register (ch.1)	R		XXXXXXXX <sub>B</sub>
00007EH	ICS01	Input capture control status register	R/W		00000000 <sub>B</sub>
00007FH	ICE01	Input capture edge register	R		-----XX <sub>B</sub>
000080H	TCDT	Lower timer counter data register	R/W	16-bit I/O timer free-run timer	00000000 <sub>B</sub>
000081H	TCDT	Higher timer counter data register	R/W		00000000 <sub>B</sub>
000082H	TCCS	Timer control status register	R/W		00000000 <sub>B</sub>
000083H	TCCS	Timer control status register	R/W		XX-00000 <sub>B</sub>
000084H	CPCLR	Lower compare clear register	R/W		XXXXXXXX <sub>B</sub>
000085H		Higher compare clear register			XXXXXXXX <sub>B</sub>
000086H to 00009AH	Reserved				
00009BH	DCSR	DMAC descriptor channel specification register	R/W	DMAC	00000000 <sub>B</sub>
00009CH	DSRL	DMAC lower status register	R/W	DMAC	00000000 <sub>B</sub>
00009DH	DSRH	DMAC higher status register	R/W	DMAC	00000000 <sub>B</sub>

(Continued)

# MB90880 Series

Address	Register abbreviation	Register name	R/W	Resource	Initial value
00009E <sub>H</sub>	PACSR0	Address detection control status register 0	R/W	Address match detection function	00000000 <sub>B</sub>
00009F <sub>H</sub>	DIRR	Delayed interrupt source generation/release register	R/W	Delayed interrupt generation module	-----0 <sub>B</sub>
0000A0 <sub>H</sub>	LPMCR	Low power consumption mode control register	W, R/W	Low power consumption	00011000 <sub>B</sub>
0000A1 <sub>H</sub>	CKSCR	Clock selection register	R, R/W		11111100 <sub>B</sub>
0000A2 <sub>H</sub> , 0000A3 <sub>H</sub>	Reserved				
0000A4 <sub>H</sub>	DSSR	DMAC stop status register	R/W	DMAC	00000000 <sub>B</sub>
0000A5 <sub>H</sub>	ARSR	Auto ready function selection register	W	External pin	0011--00 <sub>B</sub>
0000A6 <sub>H</sub>	HACR	External address output control register	W		***** <sub>B</sub>
0000A7 <sub>H</sub>	EPCR	Bus control signal selection register	W		1000*10- <sub>B</sub>
0000A8 <sub>H</sub>	WDTC	Watchdog timer control register	R, W	Watchdog timer	XXXXX111 <sub>B</sub>
0000A9 <sub>H</sub>	TBTC	Time base timer control register	W, R/W	Time base timer	1XX00100 <sub>B</sub>
0000AA <sub>H</sub>	WTC	Watch timer control register	R, R/W	Watch timer	10001000 <sub>B</sub>
0000AB <sub>H</sub>	Reserved				
0000AC <sub>H</sub>	DERL	DMAC lower enable register	R/W	DMAC	00000000 <sub>B</sub>
0000AD <sub>H</sub>	DERH	DMAC higher enable register	R/W		00000000 <sub>B</sub>
0000AE <sub>H</sub>	FMCS	Flash memory control status register	W, R/W	Flash memory I/F	000X0000 <sub>B</sub>
0000AF <sub>H</sub>	Prohibited				
0000B0 <sub>H</sub>	ICR00	Interrupt control register 00	W, R/W	Interrupt control	00000111 <sub>B</sub>
0000B1 <sub>H</sub>	ICR01	Interrupt control register 01	W, R/W		00000111 <sub>B</sub>
0000B2 <sub>H</sub>	ICR02	Interrupt control register 02	W, R/W		00000111 <sub>B</sub>
0000B3 <sub>H</sub>	ICR03	Interrupt control register 03	W, R/W		00000111 <sub>B</sub>
0000B4 <sub>H</sub>	ICR04	Interrupt control register 04	W, R/W		00000111 <sub>B</sub>
0000B5 <sub>H</sub>	ICR05	Interrupt control register 05	W, R/W		00000111 <sub>B</sub>
0000B6 <sub>H</sub>	ICR06	Interrupt control register 06	W, R/W		00000111 <sub>B</sub>
0000B7 <sub>H</sub>	ICR07	Interrupt control register 07	W, R/W		00000111 <sub>B</sub>
0000B8 <sub>H</sub>	ICR08	Interrupt control register 08	W, R/W		00000111 <sub>B</sub>
0000B9 <sub>H</sub>	ICR09	Interrupt control register 09	W, R/W		00000111 <sub>B</sub>
0000BA <sub>H</sub>	ICR10	Interrupt control register 10	W, R/W		00000111 <sub>B</sub>
0000BB <sub>H</sub>	ICR11	Interrupt control register 11	W, R/W		00000111 <sub>B</sub>
0000BC <sub>H</sub>	ICR12	Interrupt control register 12	W, R/W		00000111 <sub>B</sub>
0000BD <sub>H</sub>	ICR13	Interrupt control register 13	W, R/W		00000111 <sub>B</sub>

(Continued)

# MB90880 Series

Address	Register abbreviation	Register name	R/W	Resource	Initial value
0000BE <sub>H</sub>	ICR14	Interrupt control register 14	W, R/W	Interrupt control	00000111 <sub>B</sub>
0000BF <sub>H</sub>	ICR15	Interrupt control register 15	W, R/W		00000111 <sub>B</sub>
0000C0 <sub>H</sub>	CMR0	Chip select area MASK register 0	R/W	Chip select function	00001111 <sub>B</sub>
0000C1 <sub>H</sub>	CAR0	Chip select area register 0	R/W	Interrupt control	11111111 <sub>B</sub>
0000C2 <sub>H</sub>	CMR1	Chip select area MASK register 1	R/W		00001111 <sub>B</sub>
0000C3 <sub>H</sub>	CAR1	Chip select area register 1	R/W		11111111 <sub>B</sub>
0000C4 <sub>H</sub>	CMR2	Chip select area MASK register 2	R/W		00001111 <sub>B</sub>
0000C5 <sub>H</sub>	CAR2	Chip select area register 2	R/W		11111111 <sub>B</sub>
0000C6 <sub>H</sub>	CMR3	Chip select area MASK register 3	R/W		00001111 <sub>B</sub>
0000C7 <sub>H</sub>	CAR3	Chip select area register 3	R/W		11111111 <sub>B</sub>
0000C8 <sub>H</sub>	CSCR	Chip select control register	R/W		----000* <sub>B</sub>
0000C9 <sub>H</sub>	CALR	Chip select active level register	R/W		----0000 <sub>B</sub>
0000CA <sub>H</sub> to 0000CE <sub>H</sub>	Reserved				
0000CF <sub>H</sub>	PLLOS	PLL output selection register	W	PLL	-----X0 <sub>B</sub>
0000D0 <sub>H</sub>	BAPL	DMA buffer address pointer (low)	R/W	DMAC	XXXXXXXX <sub>B</sub>
0000D1 <sub>H</sub>	BAPM	DMA buffer address pointer (middle)	R/W		XXXXXXXX <sub>B</sub>
0000D2 <sub>H</sub>	BAPH	DMA buffer address pointer (high)	R/W		XXXXXXXX <sub>B</sub>
0000D3 <sub>H</sub>	MACS	DMA control register	R/W		XXXXXXXX <sub>B</sub>
0000D4 <sub>H</sub>	IOAL	DMAI/O register address pointer (low)	R/W		XXXXXXXX <sub>B</sub>
0000D5 <sub>H</sub>	IOAH	DMAI/O register address pointer (high)	R/W		XXXXXXXX <sub>B</sub>
0000D6 <sub>H</sub>	DCTL	DMA data counter (low)	R/W		XXXXXXXX <sub>B</sub>
0000D7 <sub>H</sub>	DCTH	DMA data counter (high)	R/W		XXXXXXXX <sub>B</sub>
0000D8 <sub>H</sub> to 0000DF <sub>H</sub>	Reserved				
0000E0 <sub>H</sub>	ENIR0	Interrupt/DTP enable register 0	R/W	DTP / external interrupt	00000000 <sub>B</sub>
0000E1 <sub>H</sub>	EIRR0	Interrupt/DTP source register 0	R/W		XXXXXXXX <sub>B</sub>
0000E2 <sub>H</sub>	ELVR0	Request level setting register 0	R/W		00000000 <sub>B</sub>
0000E3 <sub>H</sub>		Request level setting register 0	R/W		00000000 <sub>B</sub>
0000E4 <sub>H</sub>	ENIR1	Interrupt/DTP enable register 1	R/W	DTP / external interrupt	00000000 <sub>B</sub>
0000E5 <sub>H</sub>	EIRR1	Interrupt/DTP source register 1	R/W		XXXXXXXX <sub>B</sub>
0000E6 <sub>H</sub>	ELVR1	Request level setting register 1	R/W		00000000 <sub>B</sub>
0000E7 <sub>H</sub>		Request level setting register 1	R/W		00000000 <sub>B</sub>

(Continued)

# MB90880 Series

Address	Register abbreviation	Register name	R/W	Resource	Initial value
0000E8 <sub>H</sub>	ENIR2	Interrupt/DTP enable register 2	R/W	DTP / external interrupt	XXXX0000 <sub>B</sub>
0000E9 <sub>H</sub>	EIRR2	Interrupt/DTP source register 2	R/W		XXXXXXXX <sub>B</sub>
0000EA <sub>H</sub>	ELVR2	Request level setting register 2	R/W		00000000 <sub>B</sub>
0000EB <sub>H</sub>		Request level setting register 2	R/W		00000000 <sub>B</sub>
0000EC <sub>H</sub> to 0000EF <sub>H</sub>	Reserved				
0000F0 <sub>H</sub> to 0000FF <sub>H</sub>	External area				
000100 <sub>H</sub> to # <sub>H</sub> *	RAM area				
007900 <sub>H</sub>	PCNTL0	PPG0 lower control status register	R/W	16-bit PPG0	00000000 <sub>B</sub>
007901 <sub>H</sub>	PCNTH0	PPG0 higher control status register	R/W		00000001 <sub>B</sub>
007902 <sub>H</sub>	PCNTL1	PPG1 lower control status register	R/W	16-bit PPG1	00000000 <sub>B</sub>
007903 <sub>H</sub>	PCNTH1	PPG1 higher control status register	R/W		00000001 <sub>B</sub>
007904 <sub>H</sub>	PCNTL2	PPG2 lower control status register	R/W	16-bit PPG2	00000000 <sub>B</sub>
007905 <sub>H</sub>	PCNTH2	PPG2 higher control status register	R/W		00000001 <sub>B</sub>
007906 <sub>H</sub>	PCNTL3	PPG3 lower control status register	R/W	16-bit PPG3	00000000 <sub>B</sub>
007907 <sub>H</sub>	PCNTH3	PPG3 higher control status register	R/W		00000001 <sub>B</sub>
007908 <sub>H</sub>	PCNTL4	PPG4 lower control status register	R/W	16-bit PPG4	00000000 <sub>B</sub>
007909 <sub>H</sub>	PCNTH4	PPG4 higher control status register	R/W		00000001 <sub>B</sub>
00790A <sub>H</sub>	PCNTL5	PPG5 lower control status register	R/W	16-bit PPG5	00000000 <sub>B</sub>
00790B <sub>H</sub>	PCNTH5	PPG5 higher control status register	R/W		00000001 <sub>B</sub>
00790C <sub>H</sub>	PCNTL6	PPG6 lower control status register	R/W	16-bit PPG6	00000000 <sub>B</sub>
00790D <sub>H</sub>	PCNTH6	PPG6 higher control status register	R/W		00000001 <sub>B</sub>
00790E <sub>H</sub>	PCNTL7	PPG7 lower control status register	R/W	16-bit PPG7	00000000 <sub>B</sub>
00790F <sub>H</sub>	PCNTH7	PPG7 higher control status register	R/W		00000001 <sub>B</sub>
007910 <sub>H</sub>	PPGDIV	PPG0 output division setting register	R/W	16-bit PPG0	11111100 <sub>B</sub>
007911 <sub>H</sub>	Reserved				
007912 <sub>H</sub>	PDCRL0	PPG0 down counter register	R	16-bit PPG0	11111111 <sub>B</sub>
007913 <sub>H</sub>	PDCRH0				11111111 <sub>B</sub>
007914 <sub>H</sub>	PCSRL0	PPG0 period setting register	W		11111111 <sub>B</sub>
007915 <sub>H</sub>	PCSRH0				11111111 <sub>B</sub>

(Continued)



# MB90880 Series

Address	Register abbreviation	Register name	R/W	Resource	Initial value
007916 <sub>H</sub>	PUDUTL0	PPG0 duty setting register	W	16-bit PPG0	00000000 <sub>B</sub>
007917 <sub>H</sub>	PUDUTH0				00000000 <sub>B</sub>
007918 <sub>H</sub>	Disabled				
007919 <sub>H</sub>	Disabled				
00791A <sub>H</sub>	PDCRL1	PPG1 down counter register	R	16-bit PPG1	11111111 <sub>B</sub>
00791B <sub>H</sub>	PDCRH1				11111111 <sub>B</sub>
00791C <sub>H</sub>	PCSRL1	PPG1 period setting register	W		11111111 <sub>B</sub>
00791D <sub>H</sub>	PCSRH1				11111111 <sub>B</sub>
00791E <sub>H</sub>	PUDUTL1	PPG1 duty setting register	W		00000000 <sub>B</sub>
00791F <sub>H</sub>	PUDUTH1				00000000 <sub>B</sub>
007920 <sub>H</sub>	Disabled				
007921 <sub>H</sub>	Disabled				
007922 <sub>H</sub>	PDCRL2	PPG2 down counter register	R	16-bit PPG2	11111111 <sub>B</sub>
007923 <sub>H</sub>	PDCRH2				11111111 <sub>B</sub>
007924 <sub>H</sub>	PCSRL2	PPG2 period setting register	W		11111111 <sub>B</sub>
007925 <sub>H</sub>	PCSRH2				11111111 <sub>B</sub>
007926 <sub>H</sub>	PUDUTL2	PPG2 duty setting register	W		00000000 <sub>B</sub>
007927 <sub>H</sub>	PUDUTH2				00000000 <sub>B</sub>
007928 <sub>H</sub>	Disabled				
007929 <sub>H</sub>	Disabled				
00792A <sub>H</sub>	PDCRL3	PPG3 down counter register	R	16-bit PPG3	11111111 <sub>B</sub>
00792B <sub>H</sub>	PDCRH3				11111111 <sub>B</sub>
00792C <sub>H</sub>	PCSRL3	PPG3 period setting register	W		11111111 <sub>B</sub>
00792D <sub>H</sub>	PCSRH3				11111111 <sub>B</sub>
00792E <sub>H</sub>	PUDUTL3	PPG3 duty setting register	W		00000000 <sub>B</sub>
00792F <sub>H</sub>	PUDUTH3				00000000 <sub>B</sub>
007930 <sub>H</sub>	Disabled				
007931 <sub>H</sub>	Disabled				
007932 <sub>H</sub>	PDCRL4	PPG4 down counter register	R	16-bit PPG4	11111111 <sub>B</sub>
007933 <sub>H</sub>	PDCRH4				11111111 <sub>B</sub>
007934 <sub>H</sub>	PCSRL4	PPG4 period setting register	W		11111111 <sub>B</sub>
007935 <sub>H</sub>	PCSRH4				11111111 <sub>B</sub>
007936 <sub>H</sub>	PUDUTL4	PPG4 duty setting register	W		00000000 <sub>B</sub>
007937 <sub>H</sub>	PUDUTH4				00000000 <sub>B</sub>

(Continued)

# MB90880 Series

Address	Register abbreviation	Register name	R/W	Resource	Initial value
007938 <sub>H</sub>	Disabled				
007939 <sub>H</sub>	Disabled				
00793A <sub>H</sub>	PDCRL5	PPG5 down counter register	R	16-bit PPG5	11111111 <sub>B</sub>
00793B <sub>H</sub>	PDCRH5				11111111 <sub>B</sub>
00793C <sub>H</sub>	PCSRL5	PPG5 period setting register	W		11111111 <sub>B</sub>
00793D <sub>H</sub>	PCSRH5				11111111 <sub>B</sub>
00793E <sub>H</sub>	PUDUTL5	PPG5 duty setting register	W		00000000 <sub>B</sub>
00793F <sub>H</sub>	PUDUTH5				00000000 <sub>B</sub>
007940 <sub>H</sub>	Disabled				
007941 <sub>H</sub>	Disabled				
007942 <sub>H</sub>	PDCRL6	PPG6 down counter register	R	16-bit PPG6	11111111 <sub>B</sub>
007943 <sub>H</sub>	PDCRH6				11111111 <sub>B</sub>
007944 <sub>H</sub>	PCSRL6	PPG6 period setting register	W		11111111 <sub>B</sub>
007945 <sub>H</sub>	PCSRH6				11111111 <sub>B</sub>
007946 <sub>H</sub>	PUDUTL6	PPG6 duty setting register	W		00000000 <sub>B</sub>
007947 <sub>H</sub>	PUDUTH6				00000000 <sub>B</sub>
007948 <sub>H</sub>	Disabled				
007949 <sub>H</sub>	Disabled				
00794A <sub>H</sub>	PDCRL7	PPG7 down counter register	R	16-bit PPG7	11111111 <sub>B</sub>
00794B <sub>H</sub>	PDCRH7				11111111 <sub>B</sub>
00794C <sub>H</sub>	PCSRL7	PPG7 period setting register	W		11111111 <sub>B</sub>
00794D <sub>H</sub>	PCSRH7				11111111 <sub>B</sub>
00794E <sub>H</sub>	PUDUTL7	PPG7 duty setting register	W		00000000 <sub>B</sub>
00794F <sub>H</sub>	PUDUTH7				00000000 <sub>B</sub>
007950 <sub>H</sub>	Disabled				
007951 <sub>H</sub>	Disabled				
007952 <sub>H</sub>	TMCRO	Timer control register ch.0	R/W	Base timer ch.0	00000000 <sub>B</sub>
007953 <sub>H</sub>					00000000 <sub>B</sub>
007954 <sub>H</sub>	STC0	Status control register ch.0	R/W		00000000 <sub>B</sub>
007955 <sub>H</sub>	Disabled				
007956 <sub>H</sub>	TMR0	Timer register ch.0	R/W	Base timer ch.0	00000000 <sub>B</sub> / XXXXXXXX <sub>B</sub>
007957 <sub>H</sub>					00000000 <sub>B</sub> / XXXXXXXX <sub>B</sub>

(Continued)

# MB90880 Series

Address	Register abbreviation	Register name	R/W	Resource	Initial value
007958H	PCSR0/ PRL0	Period/L-width setting register ch.0	R/W	Base timer ch.0	XXXXXXXX <sub>B</sub>
007959H					XXXXXXXX <sub>B</sub>
00795AH	PDUT0/ PRLH0/ DTBF0	Duty/H-width/data buffer register ch.0	R/W		XXXXXXXX <sub>B</sub> / 00000000 <sub>B</sub>
00795BH					XXXXXXXX <sub>B</sub> / 00000000 <sub>B</sub>
00795CH	TMCR1	Timer control register ch.1	R/W	Base timer ch.1	00000000 <sub>B</sub>
00795DH					00000000 <sub>B</sub>
00795EH	STC1	Status control register ch.1	R/W		00000000 <sub>B</sub>
00795FH	Disabled				
007960H	TMR1	Timer register ch.1	R/W	Base timer ch.1	00000000 <sub>B</sub> / XXXXXXXX <sub>B</sub>
007961H					00000000 <sub>B</sub> / XXXXXXXX <sub>B</sub>
007962H	PCSR1/ PRL1	Period/L-width setting register ch.1	R/W		XXXXXXXX <sub>B</sub>
007963H					XXXXXXXX <sub>B</sub>
007964H	PDUT1/ PRLH1/ DTBF1	Duty/H-width/data buffer register ch.1	R/W		XXXXXXXX <sub>B</sub> / 00000000 <sub>B</sub>
007965H					XXXXXXXX <sub>B</sub> / 00000000 <sub>B</sub>
007966H	TMCR2	Timer control register ch.2	R/W	Base timer ch.2	00000000 <sub>B</sub>
007967H					00000000 <sub>B</sub>
007968H	STC2	Status control register ch.2	R/W		00000000 <sub>B</sub>
007969H	Disabled				
00796AH	TMR2	Timer register ch.2	R/W	Base timer ch.2	00000000 <sub>B</sub> / XXXXXXXX <sub>B</sub>
00796BH					00000000 <sub>B</sub> / XXXXXXXX <sub>B</sub>
00796CH	PCSR2/ PRL2	Period/L-width setting register ch.2	R/W		XXXXXXXX <sub>B</sub>
00796DH					XXXXXXXX <sub>B</sub>
00796EH	PDUT2/ PRLH2/ DTBF2	Duty/H-width/data buffer register ch.2	R/W		XXXXXXXX <sub>B</sub> / 00000000 <sub>B</sub>
00796FH					XXXXXXXX <sub>B</sub> / 00000000 <sub>B</sub>
007970H	TMCR3	Timer control register ch.3	R/W	Base timer ch.3	00000000 <sub>B</sub>
007971H					00000000 <sub>B</sub>
007972H	STC3	Status control register ch.3	R/W		00000000 <sub>B</sub>

(Continued)

# MB90880 Series

Address	Register abbreviation	Register name	R/W	Resource	Initial value
007973H	Disabled				
007974H	TMR3	Timer register ch.3	R/W	Base timer ch.3	00000000 <sub>B</sub> / XXXXXXXX <sub>B</sub>
007975H					00000000 <sub>B</sub> / XXXXXXXX <sub>B</sub>
007976H	PCSR3/ PRL3	Period/L-width setting register ch.3	R/W		XXXXXXXX <sub>B</sub>
007977H					XXXXXXXX <sub>B</sub>
007978H	PDUT3/ PRLH3/ DTBF3	Duty/H-width/data buffer register ch.3	R/W		XXXXXXXX <sub>B</sub> / 00000000 <sub>B</sub>
007979H					XXXXXXXX <sub>B</sub> / 00000000 <sub>B</sub>
00797AH	UDCR0	Up-down count register (ch.0)	R	8/16-bit up-down counter/timer	00000000 <sub>B</sub>
00797BH	UDCR1	Up-down count register (ch.1)	R		00000000 <sub>B</sub>
00797CH	RCR0	Reload/compare register (ch.0)	W		00000000 <sub>B</sub>
00797DH	RCR1	Reload/compare register (ch.1)	W		00000000 <sub>B</sub>
00797EH	CCRL0	Lower counter control register (ch.0)	W, R/W		XX00X000 <sub>B</sub>
00797FH	CCRH0	Higher counter control register (ch.0)	R/W		00000000 <sub>B</sub>
007980H	CCRL1	Lower counter control register (ch.1)	W, R/W		XX00X000 <sub>B</sub>
007981H	CCRH1	Higher counter control register (ch.1)	R/W		-0000000 <sub>B</sub>
007982H	CSR0	Counter status register (ch.0)	R, R/W		00000000 <sub>B</sub>
007983H	Reserved				
007984H	CSR1	Counter status register (ch.1)	R, R/W	8/16-bit up-down counter/timer	00000000 <sub>B</sub>
007985H to 00798FH	Reserved				
007990H	SMR6	Serial bus mode register ch.6	R/W	Multi-function serial ch.6	\$\$\$\$\$\$\$\$ <sub>B</sub>
007991H	SCR6/IBCR6	Serial bus control register / I <sup>2</sup> C bus control register ch.6	R/W		\$\$\$\$\$\$\$\$ <sub>B</sub>
007992H	ESCR6/ IBSR6	Extended communication control register / I <sup>2</sup> C bus status register ch.6	R/W		\$\$\$\$\$\$\$\$ <sub>B</sub>
007993H	SSR6	Serial status register ch.6	R/W		\$\$\$\$\$\$\$\$ <sub>B</sub>
007994H	RDR06/ TDR06	Transmission/reception data register 0 ch.6	R,W		\$\$\$\$\$\$\$\$ <sub>B</sub>
007995H	RDR16/ TDR16	Transmission/reception data register 1 ch.6	R,W		\$\$\$\$\$\$\$\$ <sub>B</sub>
007996H	BGR06	Baud rate generator register 0 ch.6	R/W		\$\$\$\$\$\$\$\$ <sub>B</sub>
007997H	BGR16	Baud rate generator register 1 ch.6	R/W		\$\$\$\$\$\$\$\$ <sub>B</sub>

(Continued)

# MB90880 Series

Address	Register abbreviation	Register name	R/W	Resource	Initial value
007998 <sub>H</sub>	ISBA6	7-bit slave address register ch.6	R/W	Multi-function serial ch.6	00000000 <sub>B</sub>
007999 <sub>H</sub>	ISMK6	7-bit slave address mask register ch.6	R/W		01111111 <sub>B</sub>
00799A <sub>H</sub>	PAFSR	PPG pin assignment switching register	R/W	PPG pin switching control	----0000 <sub>B</sub>
00799B <sub>H</sub>	PMSSR	PPG multi-channel start register	R/W	PPG multi-start control	00000000 <sub>B</sub>
00799C <sub>H</sub>	Reserved				
00799D <sub>H</sub>	P9FSR	Serial pin switching register 1	R/W	Multi-function serial pin control	-----000 <sub>B</sub>
00799C <sub>H</sub> to 0079A1 <sub>H</sub>	Reserved				
0079A2 <sub>H</sub>	P7FSR	Serial pin switching register 0	R/W	Multi-function serial pin control	----000X <sub>B</sub>
0079A3 <sub>H</sub>	LSYNS	LIN SYNCH FIELD switching register	R/W	Input capture input control	10001000 <sub>B</sub>
0079A4 <sub>H</sub> , 0079A5 <sub>H</sub>	Reserved				
0079A6 <sub>H</sub>	FWR0	Flash memory write control register 0	R/W	Flash memory I/F	00000000 <sub>B</sub>
0079A7 <sub>H</sub>	FWR1	Flash memory write control register 1	R/W		00000000 <sub>B</sub>
0079A8 <sub>H</sub> to 0079DF <sub>H</sub>	Reserved				
0079E0 <sub>H</sub>	PADR0	Detection address register 0 (low)	R/W	Address match detection function	XXXXXXXX <sub>B</sub>
0079E1 <sub>H</sub>		Detection address register 0 (middle)			XXXXXXXX <sub>B</sub>
0079E2 <sub>H</sub>		Detection address register 0 (high)			XXXXXXXX <sub>B</sub>
0079E3 <sub>H</sub>	PADR1	Detection address register 1 (low)	R/W	Address match detection function	XXXXXXXX <sub>B</sub>
0079E4 <sub>H</sub>		Detection address register 1 (middle)			XXXXXXXX <sub>B</sub>
0079E5 <sub>H</sub>		Detection address register 1 (high)			XXXXXXXX <sub>B</sub>
0079E6 <sub>H</sub>	PADR2	Detection address register 2 (low)	R/W	Address match detection function	XXXXXXXX <sub>B</sub>
0079E7 <sub>H</sub>		Detection address register 2 (middle)			XXXXXXXX <sub>B</sub>
0079E8 <sub>H</sub>		Detection address register 2 (high)			XXXXXXXX <sub>B</sub>
0079E9 <sub>H</sub> to 0079EF <sub>H</sub>	Reserved				
0079F0 <sub>H</sub>	PADR3	Detection address register 3 (low)	R/W	Address match detection function	XXXXXXXX <sub>B</sub>
0079F1 <sub>H</sub>		Detection address register 3 (middle)			XXXXXXXX <sub>B</sub>
0079F2 <sub>H</sub>		Detection address register 3 (high)			XXXXXXXX <sub>B</sub>

(Continued)

# MB90880 Series

(Continued)

Address	Register abbreviation	Register name	R/W	Resource	Initial value
0079F3 <sub>H</sub>	PADR4	Detection address register 4 (low)	R/W	Address match detection function	XXXXXXXX <sub>B</sub>
0079F4 <sub>H</sub>		Detection address register 4 (middle)			XXXXXXXX <sub>B</sub>
0079F5 <sub>H</sub>		Detection address register 4 (high)			XXXXXXXX <sub>B</sub>
0079F6 <sub>H</sub>	PADR5	Detection address register 5 (low)	R/W	Address match detection function	XXXXXXXX <sub>B</sub>
0079F7 <sub>H</sub>		Detection address register 5 (middle)			XXXXXXXX <sub>B</sub>
0079F8 <sub>H</sub>		Detection address register 5 (high)			XXXXXXXX <sub>B</sub>
0079F9 <sub>H</sub> to 007FFF <sub>H</sub>	Reserved				

Explanation on R/W

R/W : Readable/Writable

R : Read only

W : Write only

Explanation on initial value

0 : The initial value of this bit is "0".

1 : The initial value of this bit is "1".

X : The initial value of this bit is undefined.

- : This bit is not used.

\* : The initial value of this bit is "1" or "0".

It varies depending on the mode pin (MD2, MD1 or MD0 pin) .

+ : The initial value of this bit is "1" or "0".

\$ : The initial value of this bit varies depending on the operation mode of the resource.

#H\* : Varies depending on the RAM area of the device.

## ■ INTERRUPT SOURCES, INTERRUPT VECTORS AND INTERRUPT CONTROL REGISTERS

Interrupt source	Clearing of EI <sup>2</sup> OS	μDMAC channel no.	Interrupt vector		Interrupt control register	
			No.	Address	No.	Address
Reset	×	—	#08	FFFFDC <sub>H</sub>	—	—
INT9 instruction	×	—	#09	FFFFD8 <sub>H</sub>	—	—
Exception	×	—	#10	FFFFD4 <sub>H</sub>	—	—
INT0 (IRQ0/1)	○	0	#11	FFFFD0 <sub>H</sub>	ICR00	0000B0 <sub>H</sub>
INT0 (IRQ2 to IRQ7)	○	×	#12	FFFFCC <sub>H</sub>		
INT0 (IRQ8 to IRQ15)	○	×	#13	FFFFC8 <sub>H</sub>	ICR01	0000B1 <sub>H</sub>
INT0 (IRQ16 to IRQ23)	○	×	#14	FFFFC4 <sub>H</sub>		
Base timer ch.0 (source 0,1)	○	1	#15	FFFFC0 <sub>H</sub>	ICR02	0000B2 <sub>H</sub>
Base timer ch.1 (source 0,1)	○	2	#16	FFFFBC <sub>H</sub>		
Base timer ch.2 (source 0,1)	○	3	#17	FFFFB8 <sub>H</sub>	ICR03	0000B3 <sub>H</sub>
Base timer ch.3 (source 0,1)	○	4	#18	FFFFB4 <sub>H</sub>		
PPG0/PPG4 counter borrow	○	5	#19	FFFFB0 <sub>H</sub>	ICR04	0000B4 <sub>H</sub>
PPG1/PPG5 counter borrow	○	6	#20	FFFFAC <sub>H</sub>		
PPG2/PPG6 counter borrow	○	7	#21	FFFFA8 <sub>H</sub>	ICR05	0000B5 <sub>H</sub>
PPG3/PPG7 counter borrow	×	8	#22	FFFFA4 <sub>H</sub>		
8/16-bit up-down counter/timer (ch.0/1) compare / underflow / overflow / up-down inversion	×	×	#23	FFFFA0 <sub>H</sub>	ICR06	0000B6 <sub>H</sub>
Input capture retrieval (ch.0/1)	○	×	#24	FFFF9C <sub>H</sub>		
Output compare (ch.0/1/2) match	○	×	#25	FFFF98 <sub>H</sub>	ICR07	0000B7 <sub>H</sub>
Output compare (ch.3/4/5) match	○	×	#26	FFFF94 <sub>H</sub>		
A/D converter	○	×	#27	FFFF90 <sub>H</sub>	ICR08	0000B8 <sub>H</sub>
Overflow in 16-bit free-run timer / compare clear / multi-function serial ch.4/5/6 status	○	9	#28	FFFF8C <sub>H</sub>		
Multi-function serial ch.4 reception	○	10	#29	FFFF88 <sub>H</sub>	ICR09	0000B9 <sub>H</sub>
Multi-function serial ch.4 transition	○	11	#30	FFFF84 <sub>H</sub>		
Multi-function serial ch.5 reception	○	12	#31	FFFF80 <sub>H</sub>	ICR10	0000BA <sub>H</sub>
Multi-function serial ch.5 transition	○	13	#32	FFFF7C <sub>H</sub>		
Multi-function serial ch.6 reception	○	14	#33	FFFF78 <sub>H</sub>	ICR11	0000BB <sub>H</sub>
Multi-function serial ch.6 transition	○	15	#34	FFFF74 <sub>H</sub>		
Multi-function serial ch.0/1 reception / status	◎	×	#35	FFFF70 <sub>H</sub>	ICR12	0000BC <sub>H</sub>
Multi-function serial ch.0/1 transmission	○	×	#36	FFFF6C <sub>H</sub>		
Multi-function serial ch.2 reception / status	◎	×	#37	FFFF68 <sub>H</sub>	ICR13	0000BD <sub>H</sub>
Multi-function serial ch.2 transmission	○	×	#38	FFFF64 <sub>H</sub>		

(Continued)

# MB90880 Series

(Continued)

Interrupt source	Clearing of EI <sup>2</sup> OS	μDMAC channel no.	Interrupt vector		Interrupt control register	
			No.	Address	No.	Address
Multi-function serial ch.3 reception / status	◎	×	#39	FFFF60 <sub>H</sub>	ICR14	0000BE <sub>H</sub>
Multi-function serial ch.3 transmission	○	×	#40	FFFF5C <sub>H</sub>		
Flash writing/deletion, time base timer, watch timer*	×	×	#41	FFFF58 <sub>H</sub>	ICR15	0000BF <sub>H</sub>
Delayed interrupt generation module	×	×	#42	FFFF54 <sub>H</sub>		

× : The interrupt request flag is not cleared by the interrupt clear signal.

○ : The interrupt request flag is cleared by the interrupt clear signal.

◎ : The interrupt request flag is cleared by the interrupt clear signal. Stop request function provided at receiving only.

\* : Flash writing/deletion, the time base timer and watch timer cannot be used simultaneously.

Note : If a resource has two interrupt sources for the same interrupt number, both of the interrupt request flags are cleared by the EI<sup>2</sup>OS/μDMAC interrupt clear signal. Therefore, when either of the two sources for the EI<sup>2</sup>OS/μDMAC function is used, the other interrupt function can not be used. In this case, set the interrupt request enable bit to "0" in the appropriate resource and take measures by software polling.



## ■ ELECTRICAL CHARACTERISTICS

### 1. Absolute maximum ratings

Parameter	Symbol	Rating		Unit	Remarks
		Min	Max		
Power supply voltage*1	$V_{CC}$	$V_{SS} - 0.3$	$V_{SS} + 4.0$	V	
	$DV_{CC}$	$V_{SS} - 0.3$	$V_{SS} + 4.0$	V	$DV_{CC} = V_{CC}^{*2}$
	$AV_{CC}$	$V_{SS} - 0.3$	$V_{SS} + 4.0$	V	*2
	$AVRH$	$V_{SS} - 0.3$	$V_{SS} + 4.0$	V	*2
Input voltage*1	$V_I$	$V_{SS} - 0.3$	$V_{SS} + 4.0$	V	*3
		$V_{SS} - 0.3$	$V_{SS} + 7.0$	V	*3, *8
Output voltage*1	$V_O$	$V_{SS} - 0.3$	$V_{SS} + 4.0$	V	*3
		$V_{SS} - 0.3$	$V_{SS} + 7.0$	V	*3, *8
Maximum clamp current	$I_{CLAMP}$	-2.0	+2.0	mA	*7
Total maximum clamp current	$\sum  I_{CLAMP} $	—	20	mA	*7
“L” level maximum output current	$I_{OL1}$	—	10	mA	*4
	$I_{OL2}$	—	20	mA	PA0 to PA3*4
“L” level average output current	$I_{OLAV1}$	—	3	mA	*5
	$I_{OLAV2}$	—	10	mA	PA0 to PA3*5
“L” level maximum total output current	$\Sigma I_{OL1}$	—	60	mA	
	$\Sigma I_{OL2}$	—	80	mA	PA0 to PA3
“L” level average total output current	$\Sigma I_{OLAV1}$	—	30	mA	*6
	$\Sigma I_{OLAV2}$	—	40	mA	PA0 to PA3*6
“H” level maximum output current	$I_{OH1}$	—	-10	mA	*4
	$I_{OH2}$	—	-20	mA	PA0 to PA3*4
“H” level average output current	$I_{OHAV1}$	—	-3	mA	*5
	$I_{OHAV2}$	—	-10	mA	PA0 to PA3*5
“H” level maximum total output current	$\Sigma I_{OH1}$	—	-60	mA	
	$\Sigma I_{OH2}$	—	-80	mA	PA0 to PA3
“H” level average total output current	$\Sigma I_{OHAV1}$	—	-30	mA	*6
	$\Sigma I_{OHAV2}$	—	-40	mA	PA0 to PA3*6
Power consumption	$P_D$	—	320	mW	
Operating temperature	$T_A$	-40	+85	°C	
Storage temperature	$T_{stg}$	-55	+150	°C	

\*1 : The parameter is based on  $V_{SS} = AV_{SS} = DV_{SS} = 0.0$  V.

\*2 : Set  $AV_{CC}$ ,  $DV_{CC}$  and  $AVRH$  to the same voltage.  $AV_{CC}$  and  $DV_{CC}$  must not exceed  $V_{CC}$ . Also,  $AVRH$  must not exceed  $AV_{CC}$ .

\*3 :  $V_I$  and  $V_O$  must not exceed 0.3V. When the maximum current to/from an input is limited by using an external component, the  $I_{CLAMP}$  rating supersedes the  $V_I$  rating.

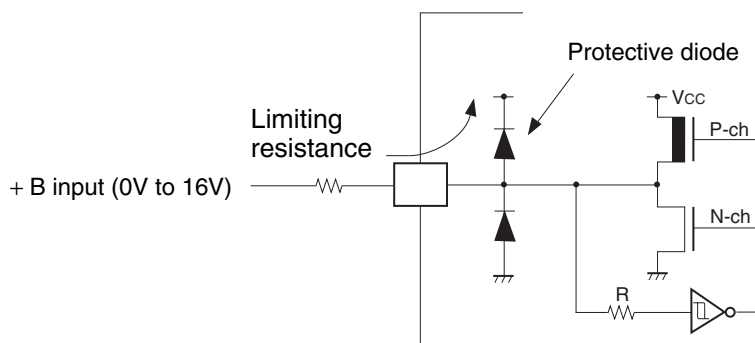
\*4 : The maximum output current is defined as the peak value of the current of any one of the corresponding pins.  
(Continued)

# MB90880 Series

(Continued)

- \*5 : The average output current is defined as the value of the average current flowing over 100 ms at any one of the corresponding pins.
- \*6 : The average total output current is defined as the value of the average current flowing over 100 ms at all of the corresponding pins.
- \*7 :
  - Relevant pins : P00 to P07, P10 to P17, P20 to P27, P30 to P37, P40 to P47, P50 to P57, P60 to P67, P70 to P76, P80 to P87, P90 to P97, PA0 to PA3
  - Use within recommended operating conditions.
  - Use with DC voltage (current) .
  - The + B signal should always be applied with a limiting resistance placed between the + B signal and the microcontroller.
  - Set the limiting resistor value, whether instantaneous or stationary, so that the current to be input to the microcontroller pin does not exceed the rating during the input of the + B signal.
  - Note that when the microcontroller drive current is low, such as in the power saving modes, the + B input potential may pass through the protective diode and increase the potential at the VCC pin, and this may affect other devices.
  - Note that if a + B signal is input when the microcontroller current is off (not fixed at 0 V) , the power supply is provided from the pins, so that incomplete operation may result.
  - Note that if the + B input is applied during power-on, the power supply is provided from the pins and the resulting supply voltage may not be sufficient to operate the power-on reset.
  - Care must be taken not to leave the + B input pin open.
  - Note that analog system input/output pins (LCD drive pins, comparator input pins, etc.) cannot accept + B signal input.
  - Sample recommended circuit :

• Input/Output equivalent circuit



- \*8 : P74 to P76 and P80 to P87 can be used as 5V I/F pins.

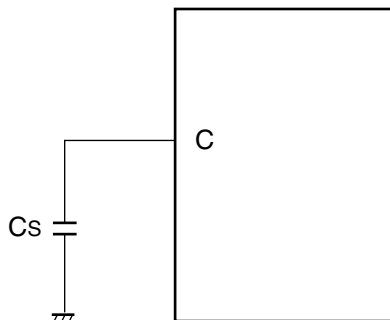
**WARNING:** Semiconductor devices can be permanently damaged by application of stress (voltage, current, temperature, etc.) in excess of absolute maximum ratings. Do not exceed any of these ratings.

## 2. Recommended operating conditions

( $V_{SS} = AV_{SS} = 0.0\text{ V}$ )

Parameter	Symbol	Value		Unit	Remarks
		Min	Max		
Power supply voltage	$V_{CC}$	2.7	3.6	V	In normal operation
	$DV_{CC}$	1.8	3.6	V	Hold stop status
"H" level input voltage	$V_{IH}$	$0.7 V_{CC}$	$V_{CC} + 0.3$	V	All pins other than $V_{IH2}$ , $V_{IHS}$ , $V_{IHM}$ and $V_{IHx}$
	$V_{IH2}$	$0.7 V_{CC}$	$V_{SS} + 5.8$	V	P74 to P76, P80 to P87
	$V_{IHS}$	$0.8 V_{CC}$	$V_{CC} + 0.3$	V	Hysteresis input pins
	$V_{IHS2}$	$0.7 V_{CC}$	$V_{CC} + 0.3$	V	Hysteresis input pins (multi-function serial pins)
	$V_{IHS3}$	$0.7 V_{CC}$	$V_{CC} + 0.3$	V	CMOS input pins (external bus mode input pins)
	$V_{IHM}$	$V_{CC} - 0.3$	$V_{CC} + 0.3$	V	MD pin input
	$V_{IHx}$	$0.8 V_{CC}$	$V_{CC} + 0.3$	V	X0A and X1A pins
"L" level input voltage	$V_{IL}$	$V_{SS} - 0.3$	$0.3 V_{CC}$	V	All pins other than $V_{ILS}$ , $V_{ILM}$ and $V_{ILx}$
	$V_{ILS}$	$V_{SS} - 0.3$	$0.2 V_{CC}$	V	Hysteresis input pins
	$V_{ILS2}$	$V_{SS} - 0.3$	$0.3 V_{CC}$	V	Hysteresis input pins (multi-function serial pins)
	$V_{ILS3}$	$V_{SS} - 0.3$	$0.3 V_{CC}$	V	CMOS input pins (external bus mode pins)
	$V_{ILM}$	$V_{SS} - 0.3$	$V_{SS} + 0.3$	V	MD pin input
	$V_{ILx}$	$V_{SS} - 0.3$	0.1	V	X0A and X1A pins
Smoothing capacitor	$C_S$	0.1	1.0	$\mu\text{F}$	Use a ceramic capacitor or comparable capacitor of the AC characteristics. Bypass capacitor at the VCC pin should be greater than this capacitor.
Operating temperature	$T_A$	-40	+85	$^{\circ}\text{C}$	

### • C Pin Connection Diagram



# MB90880 Series

**WARNING:** The recommended operating conditions are required in order to ensure the normal operation of the semiconductor device. All of the device's electrical characteristics are warranted when the device is operated within these ranges. Always use semiconductor devices within their recommended operating condition ranges. Operation outside these ranges may adversely affect reliability and could result in device failure.

No warranty is made with respect to uses, operating conditions, or combinations not represented on the data sheet. Users considering application outside the listed conditions are advised to contact their FUJITSU representatives beforehand.

# MB90880 Series

## 3. DC characteristics

( $V_{CC} = 2.7\text{V to } 3.6\text{ V}$ ,  $V_{SS} = 0.0\text{ V}$ ,  $T_A = -40\text{ }^\circ\text{C to } +85\text{ }^\circ\text{C}$ )

Parameter	Symbol	Pin name	Conditions	Value			Unit	Remarks
				Min	Typ	Max		
“H” level output voltage	$V_{OH}$	All pins except P74 to P76, P80 to P87 and PA0 to PA3	$V_{CC} = 3.0\text{ V}$ , $I_{OH} = -4.0\text{ mA}$	$V_{CC} - 0.5$	—	—	V	
		P74 to P76, P80 to P87	$V_{CC} = 3.0\text{ V}$ , $I_{OH} = -2.0\text{ mA}$	$V_{CC} - 0.5$	—	—	V	
		PA0 to PA3	$DV_{CC} = 3.0\text{ V}$ , $I_{OH} = -10.0\text{ mA}$	$DV_{CC} - 0.6$	—	—	V	
“L” level output voltage	$V_{OL}$	All pins except P74 to P76, P80 to P87 and PA0 to PA3	$V_{CC} = 3.0\text{ V}$ , $I_{OL} = 4.0\text{ mA}$	—	—	0.4	V	
		P74 to P76, P80 to P87	$V_{CC} = 3.0\text{ V}$ , $I_{OH} = -2.0\text{ mA}$	—	—	0.4	V	
		PA0 to PA3	$DV_{CC} = 3.0\text{ V}$ , $I_{OL} = 10.0\text{ mA}$	—	—	0.5	V	
Input leak current	$I_{IL}$	All input pins	$V_{CC} = 3.3\text{ V}$ , $V_{SS} < V_i < V_{CC}$	-10	—	+10	$\mu\text{A}$	
Pull-up resistance	$R_{PULL}$	—	—	25	50	100	$\text{k}\Omega$	Evaluation version
				15	33	66	$\text{k}\Omega$	Flash memory version / MASKROM version
Open-drain output current	$I_{leak}$	P31, P32, P34, P35, P43, P44, P46, P47, P72 to P76, P80 to P87, P96, P97	—	—	0.1	10	$\mu\text{A}$	

(Continued)

# MB90880 Series

(Continued)

( $V_{CC} = 2.7V$  to  $3.6V$ ,  $V_{SS} = 0.0V$ ,  $T_A = -40\text{ }^{\circ}C$  to  $+85\text{ }^{\circ}C$ )

Parameter	Symbol	Pin name	Conditions	Value			Unit
				Min	Typ	Max	
Supply current	I <sub>CC</sub>	—	V <sub>CC</sub> = 3.3V; Normal internal 25 MHz operation	—	20	28	mA
			V <sub>CC</sub> = 3.3V; Normal internal 33 MHz operation	—	28	38	mA
			V <sub>CC</sub> = 3.3V; Internal 25 MHz operation; flash write	—	30	40	mA
			V <sub>CC</sub> = 3.3V; Internal 33 MHz operation; flash write	—	40	52	mA
	I <sub>CCS</sub>	—	V <sub>CC</sub> = 3.3V; Internal 25 MHz operation; sleep mode	—	6	12	mA
			V <sub>CC</sub> = 3.3V; Internal 33 MHz operation; sleep mode	—	10	20	mA
	I <sub>CTS</sub>	—	V <sub>CC</sub> = 3.3 V; Internal 2 MHz, operation; Time-base timer	—	0.25	0.9	mA
	I <sub>CCL</sub>	—	V <sub>CC</sub> = 3.3V; External 32 kHz & internal 8 kHz operation; sub-operation (T <sub>A</sub> = +25 °C)	—	80	200	μA
	I <sub>CCLS</sub>	—	V <sub>CC</sub> = 3.3 V; External 32 MHz, Internal 8 MHz operation; sub sleep mode (T <sub>A</sub> = +25 °C)	—	50	160	μA
	I <sub>CCT</sub>	—	V <sub>CC</sub> = 3.3V; External 32 kHz & internal 8 kHz operation; watch operation (T <sub>A</sub> = +25 °C)	—	20	110	μA
I <sub>CCH</sub>	—	T <sub>A</sub> = +25 °C; Stop mode; V <sub>CC</sub> = 3.3V	—	15	100	μA	
Input capacitance	C <sub>IN</sub>	All pins except AV <sub>CC</sub> , AV <sub>SS</sub> , V <sub>CC</sub> , DV <sub>CC</sub> , V <sub>SS</sub> , DV <sub>SS</sub>	AV <sub>CC</sub> , AV <sub>SS</sub> , V <sub>CC</sub> , DV <sub>CC</sub> , V <sub>SS</sub> , DV <sub>SS</sub>	—	5	15	pF

Note : P74 to P76 and P80 to P87 are N-ch open-drain pins with controls and normally used at the CMOS level.

## 4. AC characteristics

### (1) Clock timing ratings

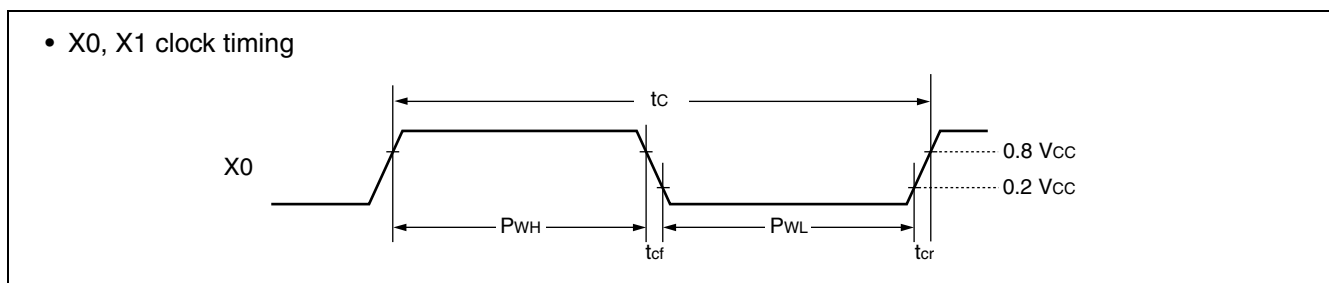
(V<sub>SS</sub> = 0.0 V, T<sub>A</sub> = -40 °C to +85 °C)

Parameter	Symbol	Pin name	Conditions	Value			Unit	Remarks
				Min	Typ	Max		
Clock frequency	F <sub>CH</sub>	X0, X1	—	3	—	25	MHz	External crystal oscillation
			—	3	—	50		External clock input
			—	4	—	25		PLL1 multiplication
			—	3	—	12.5		PLL2 multiplication
			—	3	—	6.66		PLL3 multiplication
			—	3	—	6.25		PLL4 multiplication
			—	3	—	5.5		PLL6 multiplication
			—	3	—	4.125		PLL8 multiplication
	F <sub>CL</sub>	X0A, X1A	—	—	32.768	—	kHz	
Clock cycle time	t <sub>c</sub>	X0, X1	—	15.15	—	333	ns	*1
	t <sub>CL</sub>	X0A, X1A	—	—	30.5	—	μs	
Input clock pulse width	P <sub>WH</sub> P <sub>WL</sub>	X0	—	5	—	—	ns	
	P <sub>WLH</sub> P <sub>WLL</sub>	X0A	—	—	15.2	—	μs	*2
Input clock rise/fall time	t <sub>cr</sub> t <sub>cf</sub>	X0	—	—	—	5	ns	External clock in use
Internal operating clock frequency	f <sub>CP</sub>	—	—	1.5	—	33	MHz	*1
	f <sub>CPL</sub>	—	—	—	8.192	—	kHz	
Internal operating clock cycle time	t <sub>CP</sub>	—	—	30.3	—	666	ns	*1
	t <sub>CPL</sub>	—	—	—	122.1	—	μs	

\*1 : Observe the operating voltage with care.

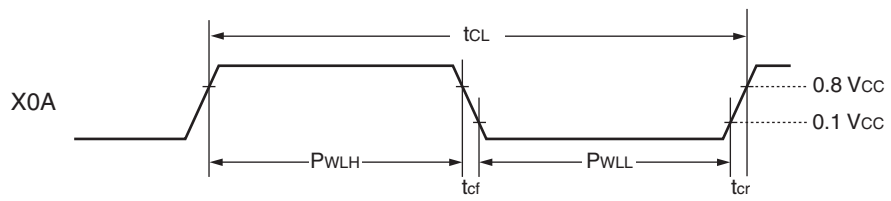
The maximum operating frequency is 25 MHz in MB90F883(S) and MB90F884(S).

\*2 : Input it at a duty ratio of 50% ±3%.



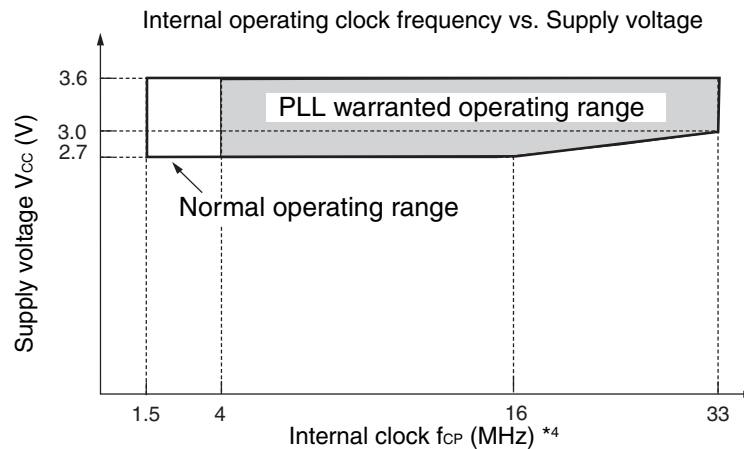
# MB90880 Series

- X0A, X1A clock timing

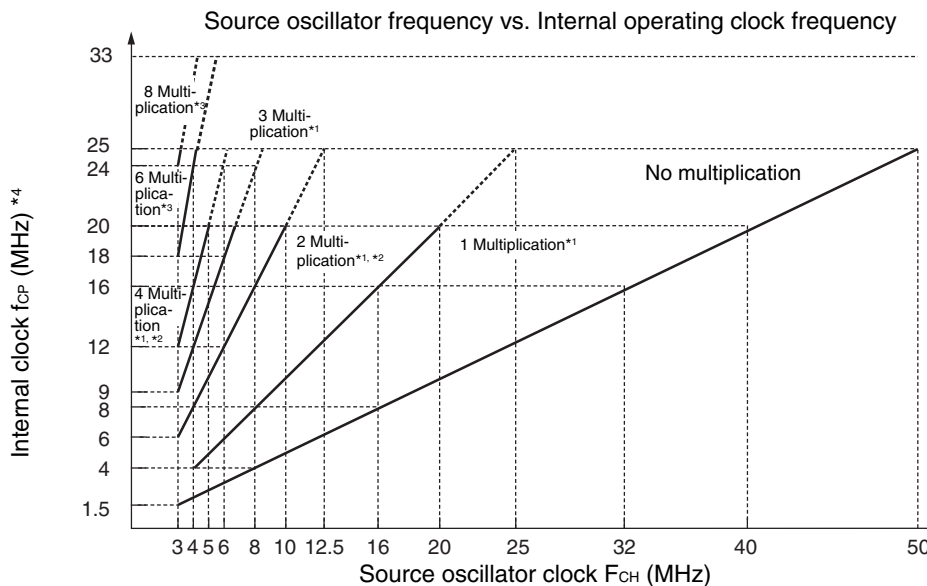




- PLL warranted operating range



- Notes:
- Use the  $f_{CP}$  at 4 MHz or higher only for PLL1 multiplication.
  - For A/D operating frequencies, refer to "5. A/D Converter electrical characteristics".



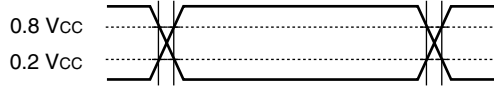
- \*1 : When using the internal clock at "20 MHz <math>f\_{CP} \leq 25 \text{ MHz}</math>" in PLL1, 2, 3 or 4 multiplication setting, set both of the DIV2 and PLL2 bits to "1" in the PLLOS register.  
 Example : When the source oscillator frequency is 24 MHz in PLL1 multiplication :  
 CKSCR register : CS1 = "0", CS0 = "0"  
 PLLOS register : DIV2 = "1", PLL2 = "1"  
 Example : When the source oscillator frequency is 6 MHz in PLL3 multiplication :  
 CKSCR register : CS1 = "1", CS0 = "0"  
 PLLOS register : DIV2 = "1", PLL2 = "1"
- \*2 : When using the internal clock at "20 MHz <math>f\_{CP} \leq 25 \text{ MHz}</math>" in PLL 2 or 4 multiplication setting, the following settings can also be used.  
 PLL2 multiplication : CKSCR register : CS1 = "0", CS0 = "0"  
 PLLOS register : DIV2 = "0", PLL2 = "1"  
 PLL4 multiplication : CKSCR register : CS1 = "0", CS0 = "1"  
 PLLOS register : DIV2 = "0", PLL2 = "1"
- \*3 : When using the PLL6 or 8 multiplication setting, set DIV2 to "0" and PLL2 to "1" in the PLLOS register.  
 Example : When the source oscillator frequency is 4 MHz in PLL6 multiplication :  
 CKSCR register : CS1 = "1", CS0 = "0"  
 PLLOS register : DIV2 = "0", PLL2 = "1"  
 Example : When the source oscillator frequency is 3 MHz in PLL8 multiplication :  
 CKSCR register : CS1 = "1", CS0 = "1"  
 PLLOS register : DIV2 = "0", PLL2 = "1"
- \*4 : The maximum operating frequency of MB90F883(S) and MB90F884(S) is 25 MHz.

# MB90880 Series

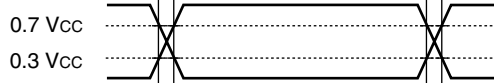
AC characteristics are determined using the following measurement reference voltage values.

- Input signal waveform

Hysteresis input pins

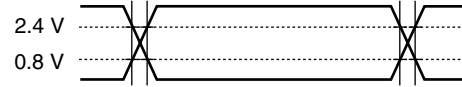


Pins other than hysteresis input/MD input pins



- Output signal waveform

Output pins

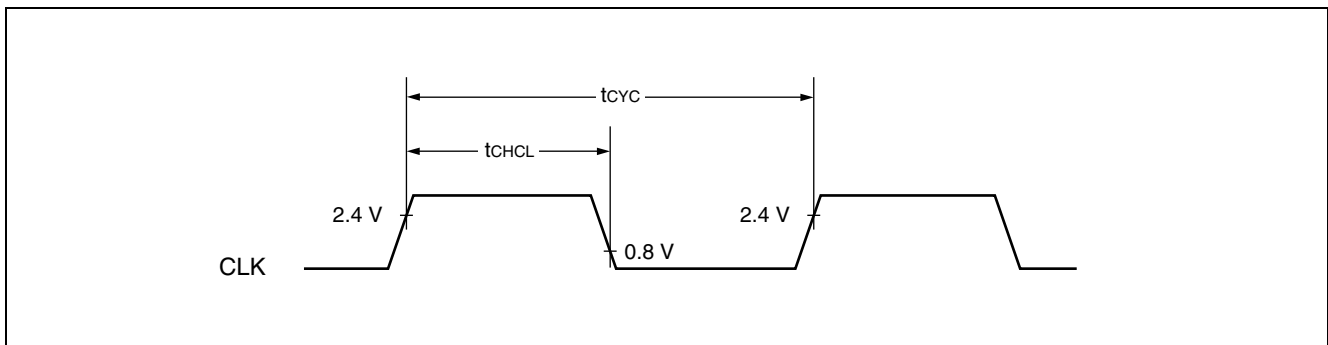


## (2) Clock output timing

( $V_{SS} = 0.0\text{ V}$ ,  $T_A = -40\text{ }^\circ\text{C}$  to  $+85\text{ }^\circ\text{C}$ )

Parameter	Symbol	Pin name	Conditions	Value		Unit	Remarks
				Min	Max		
Cycle time	$t_{CYC}$	CLK	—	$t_{CP}^*$	—	ns	
CLK $\uparrow$ → CLK $\downarrow$	$t_{CHCL}$	CLK	$V_{CC} = 3.0\text{ V to }3.6\text{ V}$	$t_{CP}^* / 2 - 15$	$t_{CP}^* / 2 + 15$	ns	$f_{CP} = 25\text{ MHz}$
			$V_{CC} = 2.7\text{ V to }3.3\text{ V}$	$t_{CP}^* / 2 - 20$	$t_{CP}^* / 2 + 20$	ns	$f_{CP} = 16\text{ MHz}$
			$V_{CC} = 2.7\text{ V to }3.3\text{ V}$	$t_{CP}^* / 2 - 64$	$t_{CP}^* / 2 + 64$	ns	$f_{CP} = 5\text{ MHz}$

\* :  $t_{CP}$  is the cycle time for the internal operation clock. Refer to (1) "Clock timing ratings".



# MB90880 Series

## (3) Reset input ratings

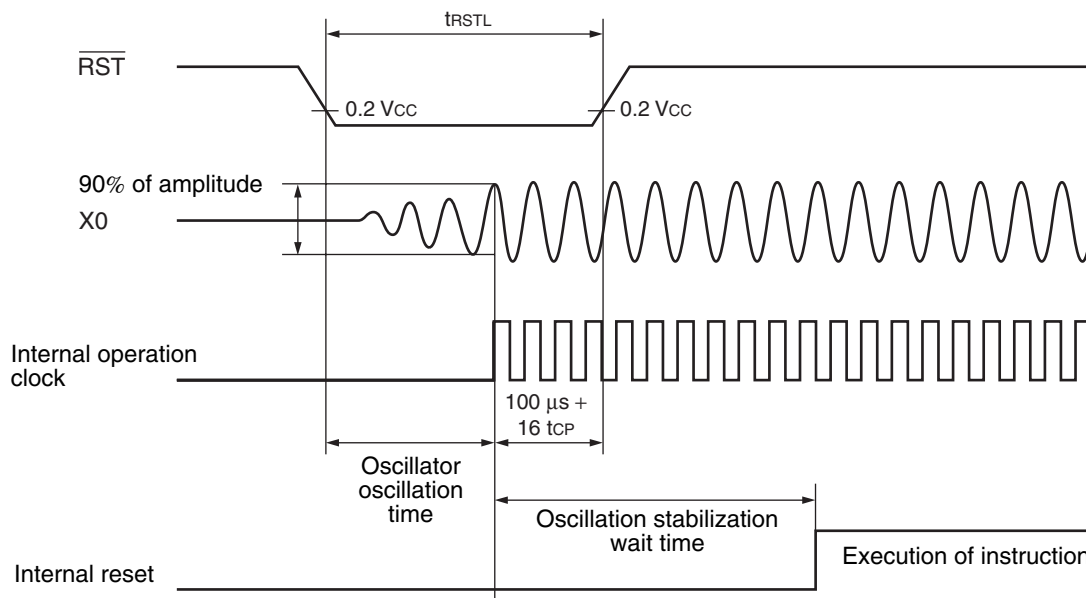
( $V_{CC} = 2.7\text{ V to }3.6\text{ V}$ ,  $V_{SS} = 0.0\text{ V}$ ,  $T_A = -40\text{ }^\circ\text{C to }+85\text{ }^\circ\text{C}$ )

Parameter	Symbol	Pin name	Conditions	Value		Unit	Remarks
				Min	Max		
Reset input time	$t_{RSTL}$	$\overline{RST}$	—	$16\ t_{CP}^{*1}$	—	ns	In normal operation
				Oscillator oscillation time $^{*2}$ $+ 100\ \mu\text{s} + 16\ t_{CP}^{*1}$	—	ms	In sub clock, sub-sleep, watch and stop modes
				100	—	$\mu\text{s}$	In time base timer mode

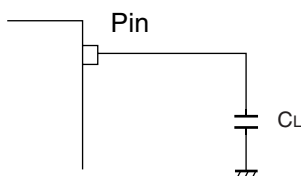
\*1 :  $t_{CP}$  is the cycle time for the internal operation clock. Refer to (1) "Clock timing ratings".

\*2 : Oscillator oscillation time is the time to reach 90% amplitude. For a crystal oscillator, this is a few to several tens of ms; for a ceramic oscillator, this is several hundred ms to a few ms, and for an external clock this is 0 ms.

- In sub clock, sub-sleep, watch and stop modes



- Measurement conditions for AC ratings



$C_L$  : Load capacitance applied to pin during testing

CLK, ALE :  $C_L = 30\ \text{pF}$   
 AD15 to AD00 (Address, data bus),  $\overline{RD}$ ,  $\overline{WR}$ ,  
 A23 to A00/D15 to D00 :  $C_L = 30\ \text{pF}$

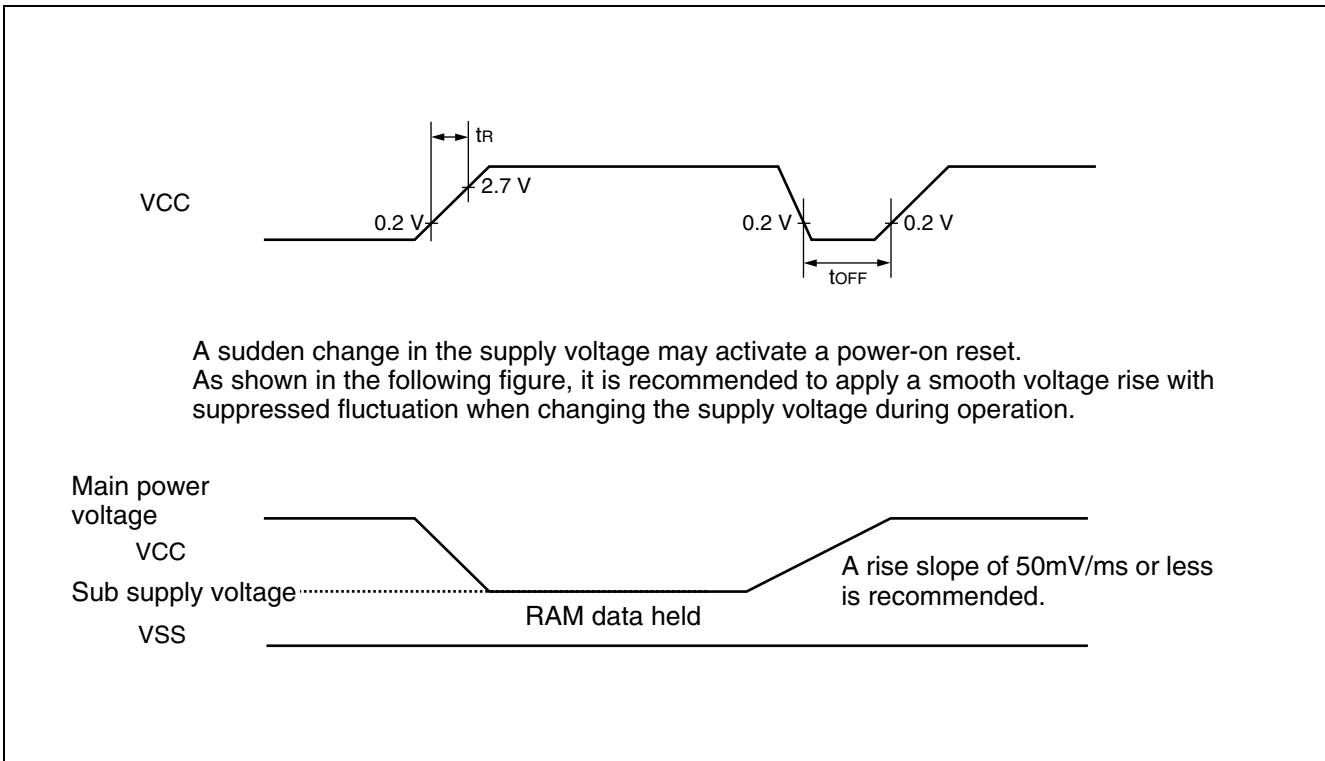
## (4) Power-on ratings (Power-on reset)

( $V_{CC} = 2.7\text{ V to }3.6\text{ V}$ ,  $V_{SS} = 0.0\text{ V}$ ,  $T_A = -40\text{ }^\circ\text{C to }+85\text{ }^\circ\text{C}$ )

Parameter	Symbol	Pin name	Conditions	Value		Unit	Remarks
				Min	Max		
Power rise time	$t_R$	VCC	—	0.05	30	ms	*
Power cutoff time	$t_{OFF}$	VCC		1	—	ms	For continuous operation

\* : During the power rise time,  $V_{CC}$  must be less than 0.2V.

- Notes :
- The above ratings are values used for power-on reset.
  - A power-on reset should be applied by restarting the power supply inside the device.



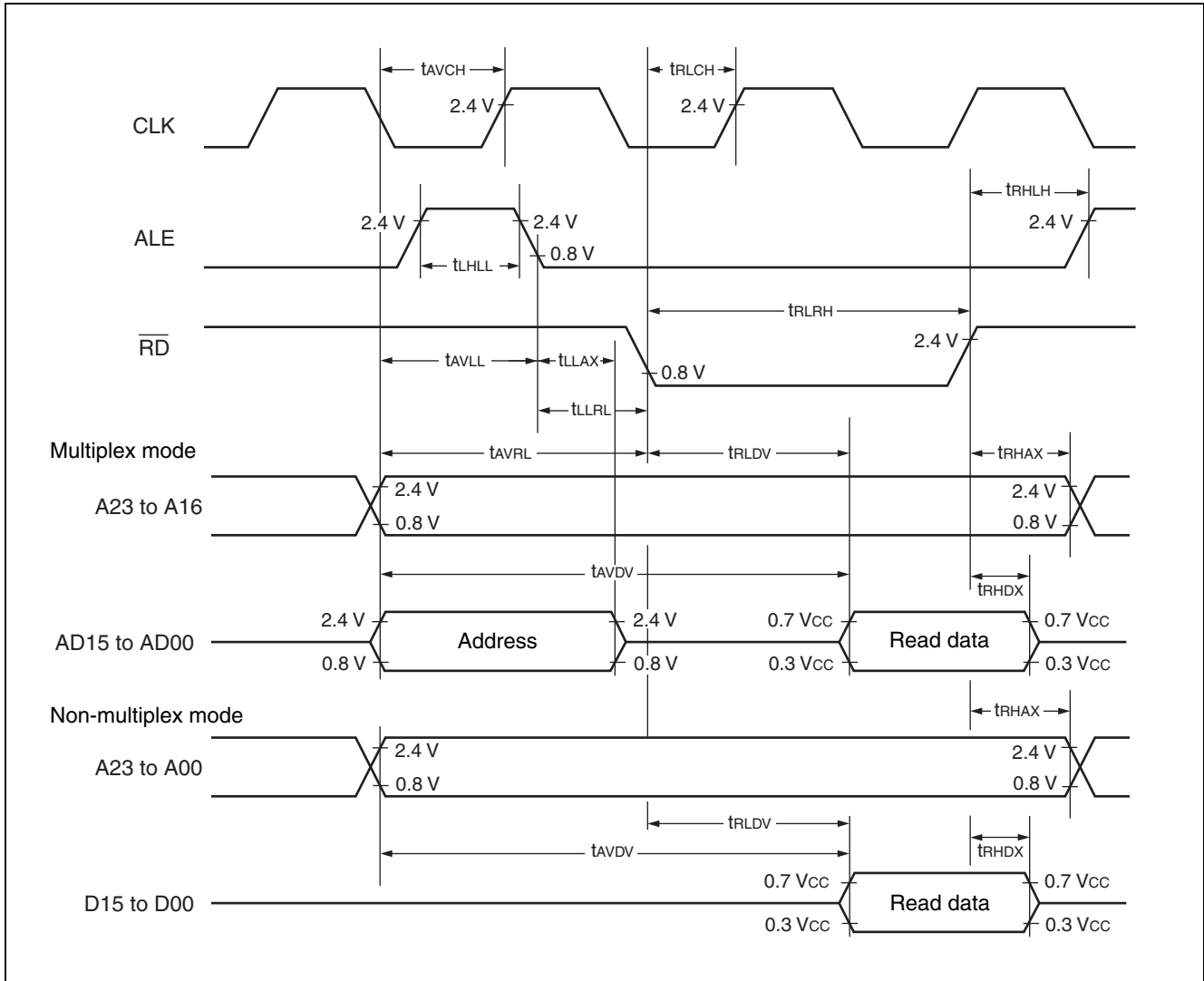
# MB90880 Series

## (5) Bus read timing

( $V_{CC} = 2.7\text{ V to }3.6\text{ V}$ ,  $V_{SS} = 0.0\text{ V}$ ,  $T_A = 0\text{ }^{\circ}\text{C to }+70\text{ }^{\circ}\text{C}$ )

Parameter	Symbol	Pin name	Condi- tions	Value		Unit	Remarks
				Min	Max		
ALE pulse width	$t_{LHLL}$	ALE	—	$t_{CP}^* / 2 - 15$	—	ns	$16\text{ MHz} < f_{CP} \leq 25\text{ MHz}$
				$t_{CP}^* / 2 - 20$	—	ns	$8\text{ MHz} < f_{CP} \leq 16\text{ MHz}$
				$t_{CP}^* / 2 - 35$	—	ns	$f_{CP} \leq 8\text{ MHz}$
Valid address → ALE↓ time	$t_{AVLL}$	Address, ALE	—	$t_{CP}^* / 2 - 17$	—	ns	
				$t_{CP}^* / 2 - 40$	—	ns	$f_{CP} \leq 8\text{ MHz}$
ALE ↓ → valid address time	$t_{LLAX}$	ALE, address	—	$t_{CP}^* / 2 - 15$	—	ns	
valid address → $\overline{RD}$ ↓ Time	$t_{AVRL}$	$\overline{RD}$ , address	—	$t_{CP}^* - 25$	—	ns	
Valid address → valid data input	$t_{AVDV}$	Address / data	—	—	$5 t_{CP}^* / 2 - 55$	ns	
				—	$5 t_{CP}^* / 2 - 80$	ns	$f_{CP} \leq 8\text{ MHz}$
$\overline{RD}$ pulse width	$t_{RLRH}$	$\overline{RD}$	—	$3 t_{CP}^* / 2 - 25$	—	ns	$16\text{ MHz} < f_{CP} \leq 25\text{ MHz}$
				$3 t_{CP}^* / 2 - 20$	—	ns	$8\text{ MHz} < f_{CP} \leq 16\text{ MHz}$
$\overline{RD}$ ↓ → valid data input	$t_{RLDV}$	$\overline{RD}$ , data	—	—	$3 t_{CP}^* / 2 - 55$	ns	
				—	$3 t_{CP}^* / 2 - 80$	ns	$f_{CP} \leq 8\text{ MHz}$
$\overline{RD}$ ↑ → data hold time	$t_{RHDX}$	$\overline{RD}$ , data	—	0	—	ns	
$\overline{RD}$ ↑ → ALE↑ time	$t_{RHLH}$	$\overline{RD}$ , ALE	—	$t_{CP}^* / 2 - 15$	—	ns	
$\overline{RD}$ ↑ → valid address time	$t_{RHAX}$	Address, $\overline{RD}$	—	$t_{CP}^* / 2 - 10$	—	ns	
Valid address → CLK↑ time	$t_{AVCH}$	Address, CLK	—	$t_{CP}^* / 2 - 17$	—	ns	
$\overline{RD}$ ↓ → CLK↑ time	$t_{RLCH}$	$\overline{RD}$ , CLK	—	$t_{CP}^* / 2 - 17$	—	ns	
ALE↓ → $\overline{RD}$ ↓ time	$t_{LLRL}$	$\overline{RD}$ , ALE	—	$t_{CP}^* / 2 - 15$	—	ns	

\* :  $t_{CP}$  is the cycle time for the internal operation clock. Refer to (1) "Clock timing ratings".



# MB90880 Series

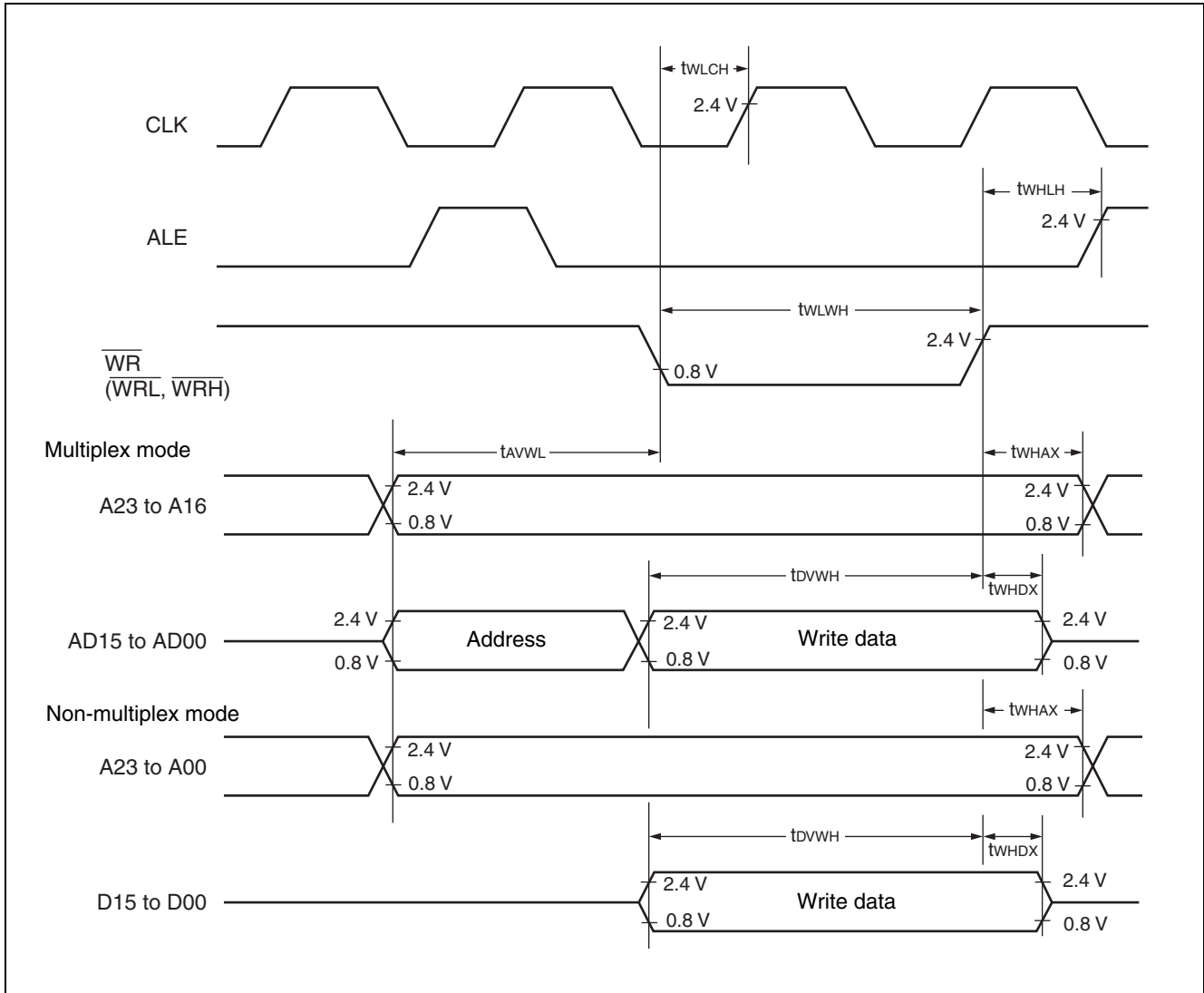
## (6) Bus write timing

( $V_{CC} = 2.7\text{ V to }3.6\text{ V}$ ,  $V_{SS} = 0.0\text{ V}$ ,  $T_A = 0\text{ }^{\circ}\text{C to }+70\text{ }^{\circ}\text{C}$ )

Parameter	Symbol	Pin name	Condi- tions	Value		Unit	Remarks
				Min	Max		
Valid address $\rightarrow \overline{WR} \downarrow$ time	$t_{AVWL}$	Address, $\overline{WR}$	—	$t_{CP}^* - 15$	—	ns	
$\overline{WR}$ pulse width	$t_{WLWH}$	$\overline{WRL}$ , $\overline{WRH}$	—	$3 t_{CP}^* / 2 - 25$	—	ns	$16\text{ MHz} < f_{CP} \leq 25\text{ MHz}$
			—	$3 t_{CP}^* / 2 - 20$	—	ns	$8\text{ MHz} < f_{CP} \leq 16\text{ MHz}$
Valid data output $\rightarrow \overline{WR} \uparrow$ time	$t_{DVWH}$	Data, $\overline{WR}$	—	$3 t_{CP}^* / 2 - 15$	—	ns	
$\overline{WR} \uparrow \rightarrow$ data hold time	$t_{WHDX}$	$\overline{WR}$ , data	—	10	—	ns	$16\text{ MHz} < f_{CP} \leq 25\text{ MHz}$
			—	20	—	ns	$8\text{ MHz} < f_{CP} \leq 16\text{ MHz}$
			—	30	—	ns	$f_{CP} \leq 8\text{ MHz}$
$\overline{WR} \uparrow \rightarrow$ valid address time	$t_{WHAX}$	$\overline{WR}$ , address	—	$t_{CP}^* / 2 - 10$	—	ns	
$\overline{WR} \uparrow \rightarrow$ ALE $\uparrow$ time	$t_{WHLH}$	$\overline{WR}$ , ALE	—	$t_{CP}^* / 2 - 15$	—	ns	
$\overline{WR} \downarrow \rightarrow$ CLK $\uparrow$ time	$t_{WLCH}$	$\overline{WR}$ , CLK	—	$t_{CP}^* / 2 - 17$	—	ns	

\* :  $t_{CP}$  is the cycle time for the internal operation clock. Refer to (1) "Clock timing ratings".



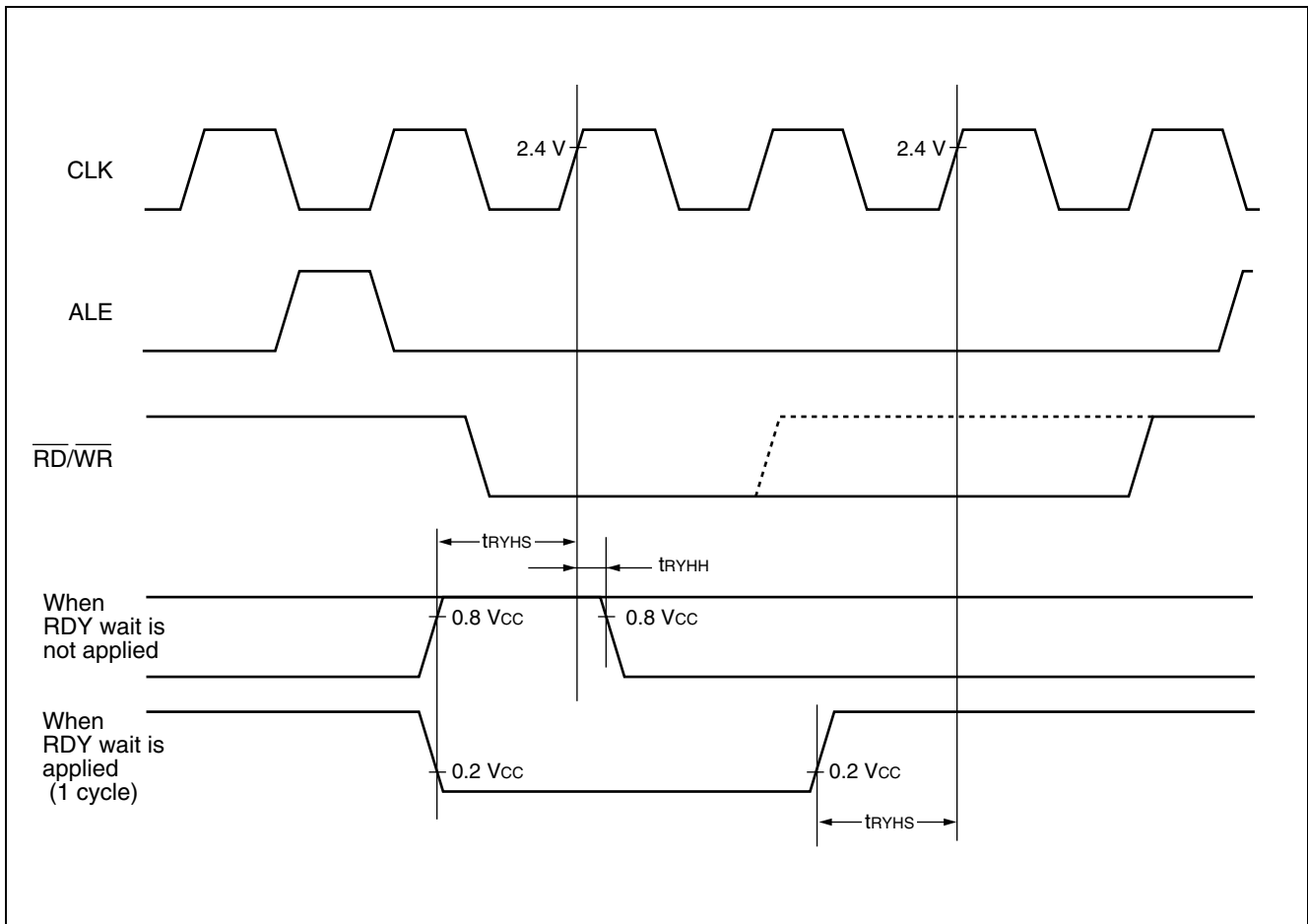


# MB90880 Series

## (7) Ready input timing

( $V_{CC} = 2.7\text{ V to }3.6\text{ V}$ ,  $V_{SS} = 0.0\text{ V}$ ,  $T_A = 0\text{ }^\circ\text{C to }+70\text{ }^\circ\text{C}$ )

Parameter	Symbol	Pin name	Conditions	Value		Unit	Remarks
				Min	Max		
RDY setup time	$t_{RYHS}$	RDY	—	35	—	ns	$f_{CP} = 8\text{ MHz}$
			—	70	—	ns	
RDY hold time	$t_{RYHH}$		—	0	—	ns	



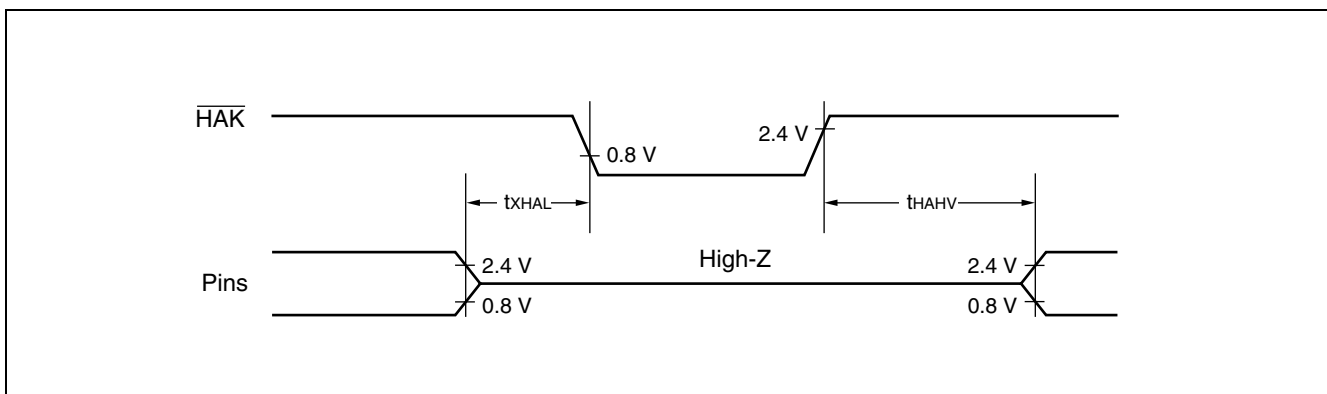
## (8) Hold timing

( $V_{CC} = 2.7\text{ V to }3.6\text{ V}$ ,  $V_{SS} = 0.0\text{ V}$ ,  $T_A = 0\text{ }^\circ\text{C to }+70\text{ }^\circ\text{C}$ )

Parameter	Symbol	Pin name	Conditions	Value		Unit
				Min	Max	
Pin floating $\rightarrow \overline{\text{HAK}}\downarrow$ time	$t_{\text{XHAL}}$	$\overline{\text{HAK}}$	—	30	$t_{\text{CP}}^*$	ns
$\overline{\text{HAK}}\downarrow \rightarrow$ valid pin time	$t_{\text{HAHV}}$	$\overline{\text{HAK}}$	—	$t_{\text{CP}}^*$	$2 t_{\text{CP}}^*$	ns

\* :  $t_{\text{CP}}$  is the cycle time for the internal operation clock. Refer to (1) "Clock timing ratings".

Note : It takes one or more cycles from when the HRQ pin is read to when  $\overline{\text{HAK}}$  changes.



# MB90880 Series

## (9) Multi-function serial timing (UART, SIO)

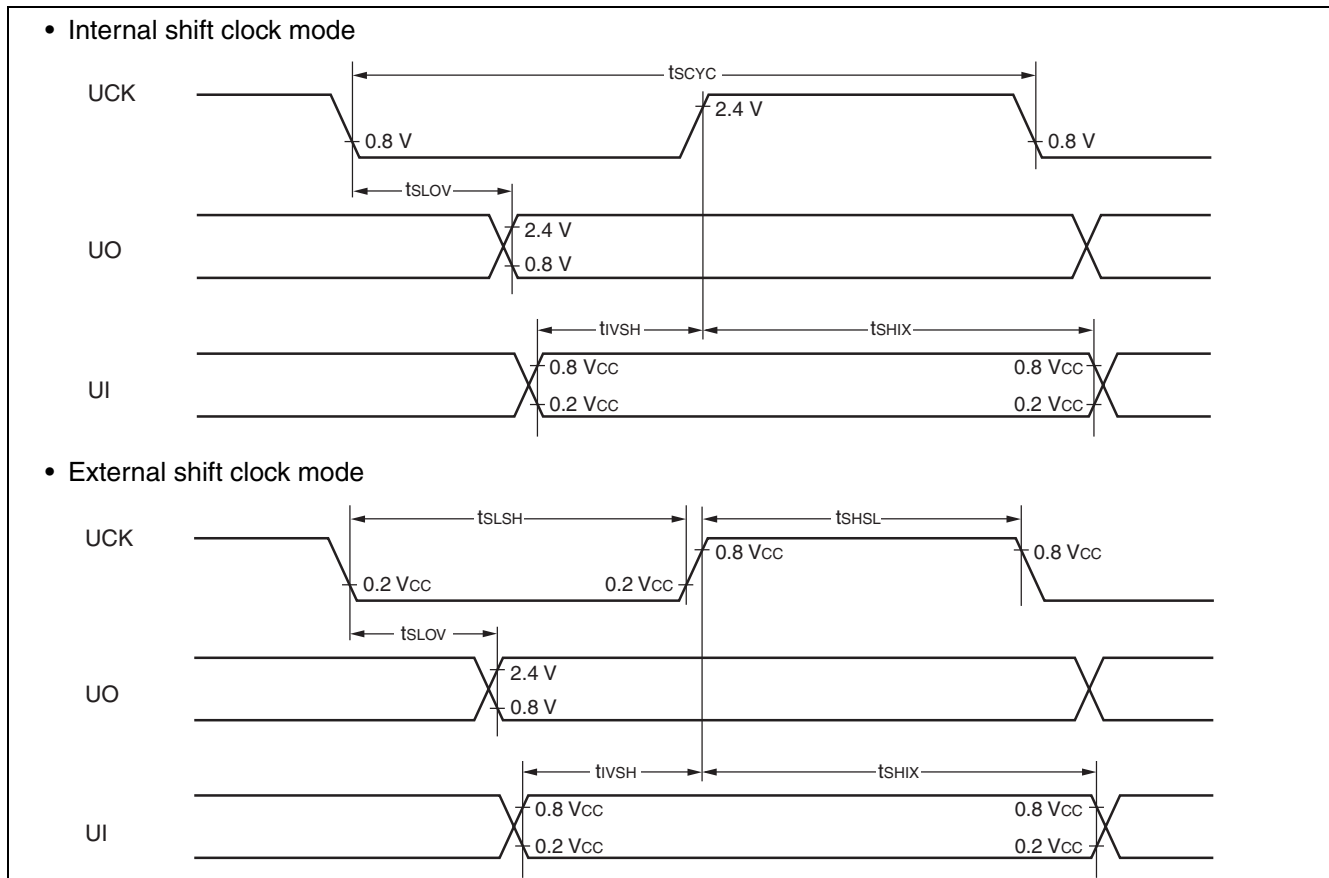
( $V_{CC} = 2.7\text{ V to }3.6\text{ V}$ ,  $V_{SS} = 0.0\text{ V}$ ,  $T_A = -40\text{ }^\circ\text{C to }+85\text{ }^\circ\text{C}$ )

Parameter	Symbol	Pin name	Conditions	Value		Unit
				Min	Max	
Serial clock cycle time	$t_{SCYC}$	—	Internal shift clock mode output pin : $C_L^{*1} = 80\text{ pF} + 1\text{ TTL}$	$8 t_{CP}^{*2}$	—	ns
UCK↓ → UO delay time	$t_{SLOV}$	—		-50	+50	ns
Valid UI → UCK↑	$t_{IVSH}$	—		50	—	ns
UCK↑ → valid UI hold time	$t_{SHIX}$	—		0	—	ns
Serial clock “H” pulse width	$t_{SHSL}$	—	External shift clock mode output pin : $C_L^{*1} = 80\text{ pF} + 1\text{ TTL}$	$4 t_{CP}^{*2}$	—	ns
Serial clock “L” pulse width	$t_{SLSH}$	—		$4 t_{CP}^{*2}$	—	ns
UCK↓ → UO delay time	$t_{SLOV}$	—		—	50	ns
Valid UI → UCK↑	$t_{IVSH}$	—		50	—	ns
UCK↑ → valid UI hold time	$t_{SHIX}$	—		50	—	ns

\*1 :  $C_L$  is the load capacitance applied to pins during testing.

\*2 :  $t_{CP}$  is the cycle time for the internal operation clock. Refer to (1) “Clock timing ratings”.

Note : The above AC characteristics are for CLK synchronous mode operation.



## (10) Multi-function serial timing (I<sup>2</sup>C)

### a. Master mode operation

(V<sub>CC</sub> = 2.7 V to 3.6 V, V<sub>SS</sub> = 0.0 V, T<sub>A</sub> = -40 °C to +85 °C)

Parameter	Symbol	Condi- tions	Standard mode		High-speed mode*3		Unit
			Min	Max	Min	Max	
SCL clock frequency	f <sub>SCL</sub>	R=1kΩ C=50pF*4	0	100	0	400	kHz
SCL clock "L" width	t <sub>LOW</sub>		4.7	—	4.7	—	μs
SCL clock "H" width	t <sub>HIGH</sub>		4.0	—	4.0	—	μs
Bus-free time between "stop" condition and "start" condition	t <sub>BUS</sub>		4.7	—	1.3	—	μs
Repeat "start" condition setup time SCL↑ → SDA↓	t <sub>SUSTA</sub>		4.7	—	0.6	—	μs
(Repeat) "start" condition hold time SDA↓ → SCL↓	t <sub>HDSTA</sub>		4.0	—	0.6	—	μs
"Stop" condition setup time SCL↑ → SDA↑	t <sub>SUSTO</sub>		4.0	—	0.6	—	μs
Data hold time SCL↓ → SDA↓↑	t <sub>HDDAT</sub>		2tcp*1	—	2tcp*1	—	μs
Data setup time SDA↓↑ → SCL↑	t <sub>SUDAT</sub>		250	—	100*2	—	ns

# MB90880 Series

## b. Slave mode operation

( $V_{CC} = 2.7\text{ V to }3.6\text{ V}$ ,  $V_{SS} = 0.0\text{ V}$ ,  $T_A = -40\text{ }^\circ\text{C to }+85\text{ }^\circ\text{C}$ )

Parameter	Symbol	Condi- tions	Standard mode		High-speed mode *3		Unit
			Min	Max	Min	Max	
SCL clock frequency	$f_{SCL}$	R=1k $\Omega$ C=50pF*4	0	100	0	400	kHz
SCL clock "L" width	$t_{LOW}$		4.7	—	1.3	—	$\mu\text{s}$
SCL clock "H" width	$t_{HIGH}$		4.0	—	0.6	—	$\mu\text{s}$
Bus-free time between "stop" condition and "start" condition	$t_{BUS}$		4.7	—	1.3	—	$\mu\text{s}$
Repeat "start" condition setup time SCL $\uparrow$ $\rightarrow$ SDA $\downarrow$	$t_{SUSTA}$		4.7	—	0.6	—	$\mu\text{s}$
(Repeat) "start" condition hold time SDA $\downarrow$ $\rightarrow$ SCL $\downarrow$	$t_{HDSTA}$		4.0	—	0.6	—	$\mu\text{s}$
"Stop" condition setup time SCL $\uparrow$ $\rightarrow$ SDA $\uparrow$	$t_{SUSTO}$		4.0	—	0.6	—	$\mu\text{s}$
Data hold time SCL $\downarrow$ $\rightarrow$ SDA $\downarrow\uparrow$	$t_{HDDAT}$		2tcp*1	—	2tcp*1	—	$\mu\text{s}$
Data setup time SDA $\downarrow\uparrow$ $\rightarrow$ SCL $\uparrow$	$t_{SUDAT}$		250	—	100*2	—	ns

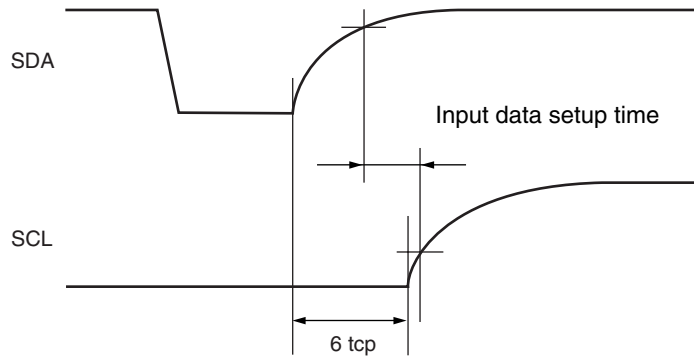
\*1 :  $t_{CP}$  is the cycle time for the internal operation clock. Refer to (1) "Clock timing ratings".

\*2 : The high-speed mode I<sup>2</sup>C bus device can be used in a standard mode I<sup>2</sup>C bus system. However, the device must satisfy the required condition " $t_{SUDAT} \geq 250\text{ ns}$ ". If the device does not extend the "L" period of the SCL signal, the succeeding data must be output to the SDA line before a period of 1250 ns (the maximum time of SDA/SCL rise +  $t_{SUDAT}$ ) in which the SCL line is open.

\*3 : Set the internal operation clock to 6MHz or higher when using this over 100kHz.

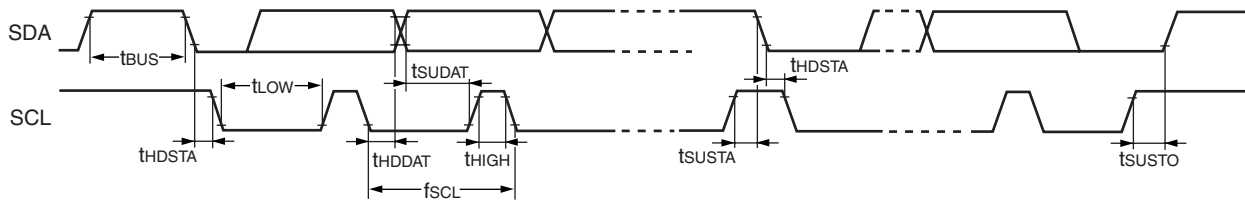
\*4 : "R" and "C" are the pull-up resistance and load capacitance of the SCL/SDA lines.

- Note on SDA/SCL setup time



Note: The specification for the input data setup time of the device which is connected to the bus may not be satisfied, depending on the load capacitance and pull-up resistance. If the specification of the input data setup time can not be satisfied, adjust the pull-up resistance of SDA and SCL.

- Timing definition



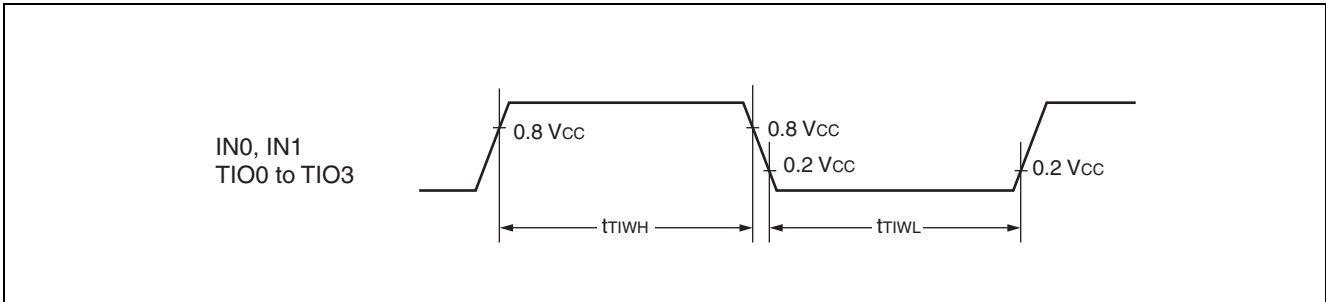
# MB90880 Series

## (11) Timer input timing

( $V_{CC} = 2.7\text{ V to }3.6\text{ V}$ ,  $V_{SS} = 0.0\text{ V}$ ,  $T_A = -40\text{ }^\circ\text{C to }+85\text{ }^\circ\text{C}$ )

Parameter	Symbol	Pin name	Conditions	Value		Unit
				Min	Max	
Input pulse width	$t_{TIWH}$ $t_{TIWL}$	IN0, IN1, TIO0 to TIO3	—	$4 t_{CP}^*$	—	ns

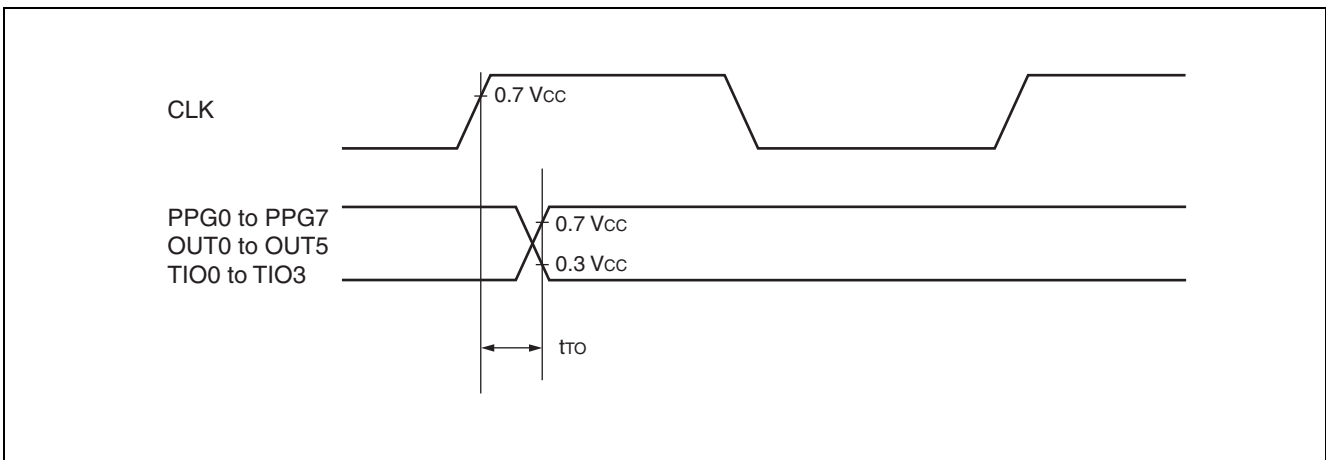
\*:  $t_{CP}$  is the cycle time for the internal operation clock. Refer to (1) "Clock timing ratings".



## (12) Timer output timing

( $V_{CC} = 2.7\text{ V to }3.6\text{ V}$ ,  $V_{SS} = 0.0\text{ V}$ ,  $T_A = -40\text{ }^\circ\text{C to }+85\text{ }^\circ\text{C}$ )

Parameter	Symbol	Pin name	Conditions	Value		Unit
				Min	Max	
CLK $\uparrow$ → change time PPG0 to PPG5 change time OUT0 to OUT5 change time	$t_{to}$	PPG0 to PPG7, OUT0 to OUT5, TIO0 to TIO3	Load condition : 80 pF	30	—	ns



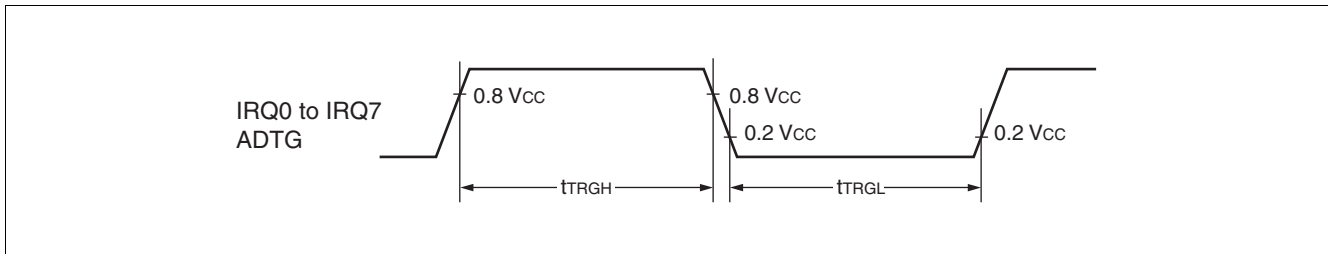


## (13) Trigger input timing

( $V_{CC} = 2.7\text{ V to }3.6\text{ V}$ ,  $V_{SS} = 0.0\text{ V}$ ,  $T_A = -40\text{ }^\circ\text{C to }+85\text{ }^\circ\text{C}$ )

Parameter	Symbol	Pin name	Conditions	Value		Unit	Remarks
				Min	Max		
Input pulse width	$t_{TRGH}$	ADTG, IRQ0 to IRQ7	—	5 $t_{CP}^*$	—	ns	In normal operation
	$t_{TRGL}$			1	—	$\mu\text{s}$	In stop mode

\*:  $t_{CP}$  is the cycle time for the internal operation clock. Refer to (1) "Clock timing ratings".



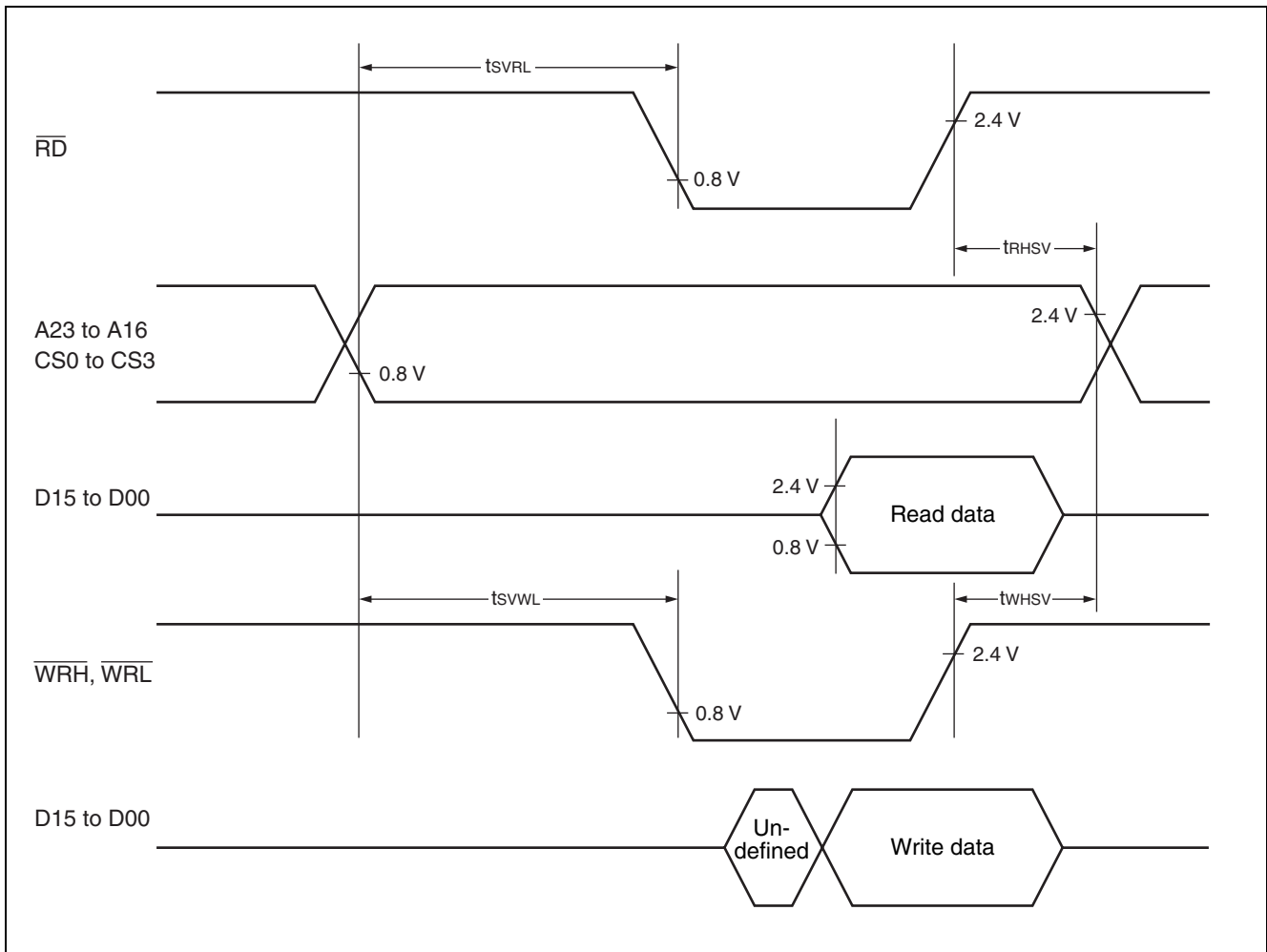
# MB90880 Series

## (14) Chip select output timing

( $V_{CC} = 2.7\text{ V to }3.6\text{ V}$ ,  $V_{SS} = 0.0\text{ V}$ ,  $T_A = -40\text{ }^\circ\text{C to }+85\text{ }^\circ\text{C}$ )

Parameter	Symbol	Pin name	Conditions	Value		Unit
				Min	Max	
Chip select output valid time → $\overline{RD}\downarrow$	$t_{SVRL}$	CS0 to CS3, $\overline{RD}$	—	$t_{CP}^* / 2 - 7$	—	ns
Chip select output valid time → $\overline{WR}\downarrow$	$t_{SVWL}$	CS0 to CS3, $\overline{WRH}$ , $\overline{WRL}$	—	$t_{CP}^* / 2 - 7$	—	ns
$\overline{RD}\uparrow$ → Chip select output valid time	$t_{RHVS}$	$\overline{RD}$ , CS0 to CS3	—	$t_{CP}^* / 2 - 17$	—	ns
$\overline{WR}\uparrow$ → Chip select output valid time	$t_{WHVS}$	$\overline{WRH}$ , $\overline{WRL}$ , CS0 to CS3	—	$t_{CP}^* / 2 - 17$	—	ns

\*:  $t_{CP}$  is the cycle time for the internal operation clock. Refer to (1) "Clock timing ratings".



Note : The chip select output signal changes simultaneously due to the internal bus configuration; therefore, this may generate a bus wait. AC cannot be warranted between the ALE output signal and the chip select output signal.

## 5. A/D converter electrical characteristics

( $V_{CC} = AV_{CC} = 2.7 \text{ V to } 3.6 \text{ V}$ ,  $V_{SS} = AV_{SS} = 0.0 \text{ V}$ ,  $2.7 \text{ V} \leq AVR_{H}$ ,  $T_A = -40 \text{ }^\circ\text{C to } +85 \text{ }^\circ\text{C}$ )

Parameter	Symbol	Pin name	Value			Unit	Remarks
			Min	Standard	Max		
Resolution	—	—	—	—	10	bit	
Total error	—	—	—	—	$\pm 3.0$	LSB	
Linear error	—	—	—	—	$\pm 2.5$	LSB	
Differential linear error	—	—	—	—	$\pm 1.9$	LSB	
Zero transition voltage	$V_{OT}$	AN0 to AN7	$AV_{SS} - 1.5 \text{ LSB}$	$AV_{SS} + 0.5 \text{ LSB}$	$AV_{SS} + 2.5 \text{ LSB}$	V	
Full-scale transition voltage	$V_{FST}$	AN0 to AN7	$AVRH - 3.5 \text{ LSB}$	$AVRH - 1.5 \text{ LSB}$	$AVRH + 0.5 \text{ LSB}$	V	
Sampling time	$t_{SMP}$	—	1.2	—	—	$\mu\text{s}$	*1
Compare time	$t_{CMP}$	—	1.8	—	—	$\mu\text{s}$	*1
Conversion time	$t_{CNV}$	—	3.0	—	—	$\mu\text{s}$	*1
Analog port input current	$I_{AIN}$	AN0 to AN7	- 3.0	—	+ 3.0	$\mu\text{A}$	
Analog input voltage	$V_{AIN}$	AN0 to AN7	$AV_{SS}$	—	$AVRH$	V	
Reference voltage	—	$AVRH$	$AV_{SS} + 2.2$	—	$AV_{CC}$	V	
Supply current	$I_A$	$AV_{CC}$	—	1.9	3.7	mA	
	$I_{AH}$	$AV_{CC}$	—	—	$5^2$	$\mu\text{A}$	
Reference voltage supply current	$I_R$	$AVRH$	—	520	720	$\mu\text{A}$	
	$I_{RH}$	$AVRH$	—	—	$5^2$	$\mu\text{A}$	
Inter-channel variation	—	AN0 to AN7	—	—	4	LSB	

\*1 : Time per channel

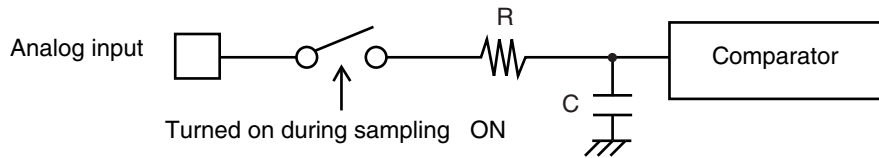
\*2 : Current when the A/D converter is not in operation and the CPU is stopped ( $V_{CC} = AV_{CC} = AVR_{H} = 3.0 \text{ V}$ )

# MB90880 Series

- **External impedance and sampling time for analog input**

This is an A/D converter with a sample hold function. If high external impedance is preventing it from securing sufficient sampling time, a sufficient analog voltage will not be charged in the internal sample hold capacitor, affecting the accuracy of the A/D conversion. In order to satisfy the A/D conversion accuracy specifications, adjust the register values and operating frequency or decrease the external impedance so that the sampling time becomes longer than the minimum value, based on the relationship between the external impedance and the minimum sampling time. If a sufficient sampling time cannot be secured, connect a capacitor with a capacitance of approximately 0.1  $\mu\text{F}$  to the analog input pin.

Model diagram of analog input circuit

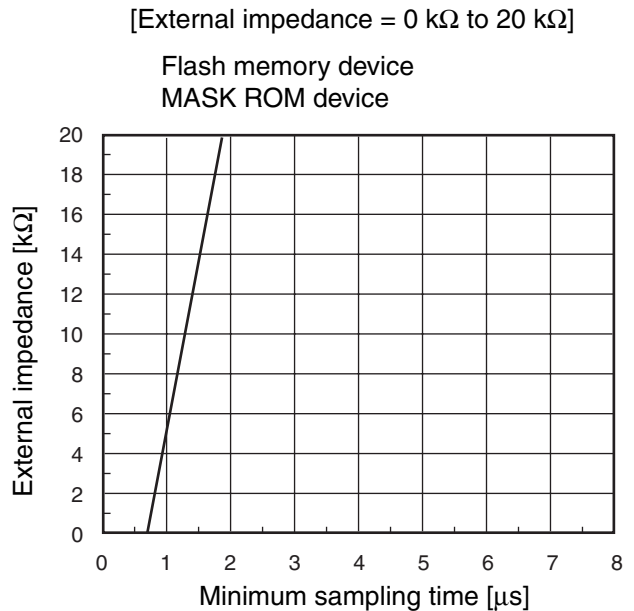
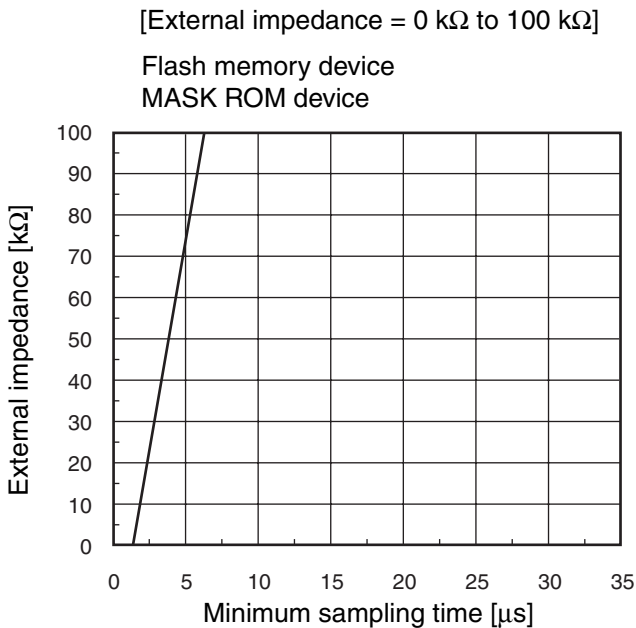


**R**  
12.2k $\Omega$  (Max)

**C**  
8.5pF (Max)

Note : These are reference values.

- **Relation between external impedance and minimum sampling time**

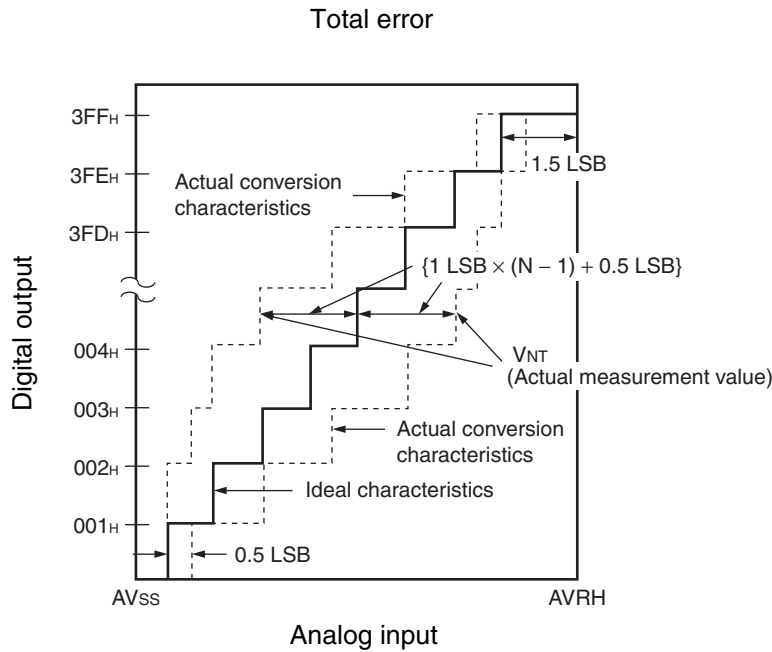


- **Errors :**

As  $|AVRH - AV_{SS}|$  decreases, the absolute error increases.

## 6. Definition of A/D Converter Terms

- Resolution : Analog variation that is recognized by an A/D converter.
- Non linearity error : Deviation between a line across zero-transition line ( “00 0000 0000” ← → “00 0000 0001” ) and full-scale transition line ( “11 1111 1110” ← → “11 1111 1111” ) and actual conversion characteristics.
- Differential linearity error : Deviation of input voltage, which is required for changing output code by 1 LSB, from an ideal value.
- Total error : Difference between an actual value and a theoretical value. A total error includes zero transition error, full-scale transition error, and linear error.



$$\text{Total error of digital output "N"} = \frac{V_{NT} - \{1 \text{ LSB} \times (N - 1) + 0.5 \text{ LSB}\}}{1 \text{ LSB}} \text{ [LSB]}$$

$$1 \text{ LSB (Ideal value)} = \frac{AVRH - AVSS}{1024} \text{ [V]}$$

$$V_{OT} \text{ (Ideal value)} = AVSS + 0.5 \text{ LSB [V]}$$

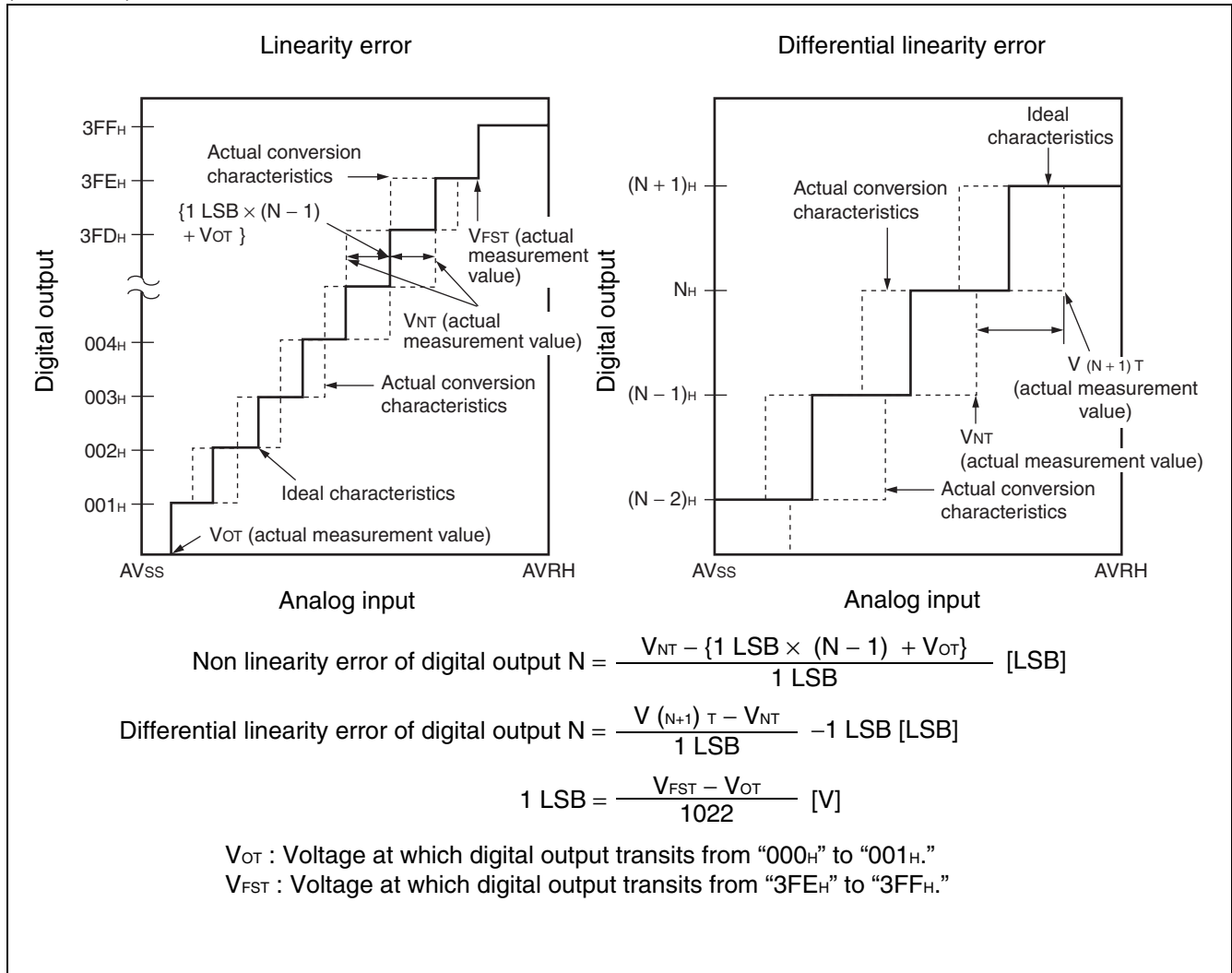
$$V_{FST} \text{ (Ideal value)} = AVRH - 1.5 \text{ LSB [V]}$$

$V_{NT}$  : A voltage at which digital output transits from  $(N - 1)_H$ ,  $N_H$ .

(Continued)

# MB90880 Series

(Continued)



## • Flash memory write/erase characteristics

Parameter	Conditions	Value			Unit	Remarks
		Min	Standard	Max		
Sector erase time	$T_A = +25 \text{ }^\circ\text{C}$ , $V_{CC} = 3.0 \text{ V}$	—	0.9	3.6	s	Excludes internal write time before erase operation.
Chip erase time		—	6.2	—	s	Excludes internal write time before erase operation.
Byte (16-bit width) write time		—	23	—	$\mu\text{s}$	Excludes overhead time at system level.
Number of write/erase cycles	—	10000	—	—	cycle	
Flash memory data hold time	Average $T_A = +85 \text{ }^\circ\text{C}$	100000	—	—	h	*

\* : Value converted from the evaluation result of technology reliability (The Arrhenius equation is used to convert the high-temperature high-speed test result into the average temperature + 85 °C.)

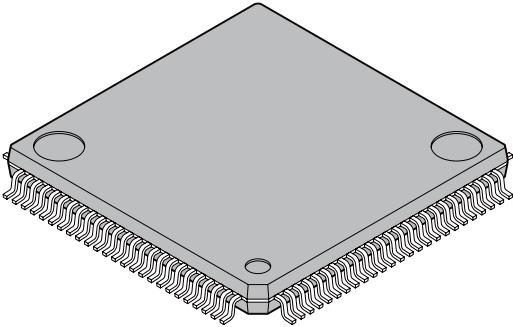
# MB90880 Series

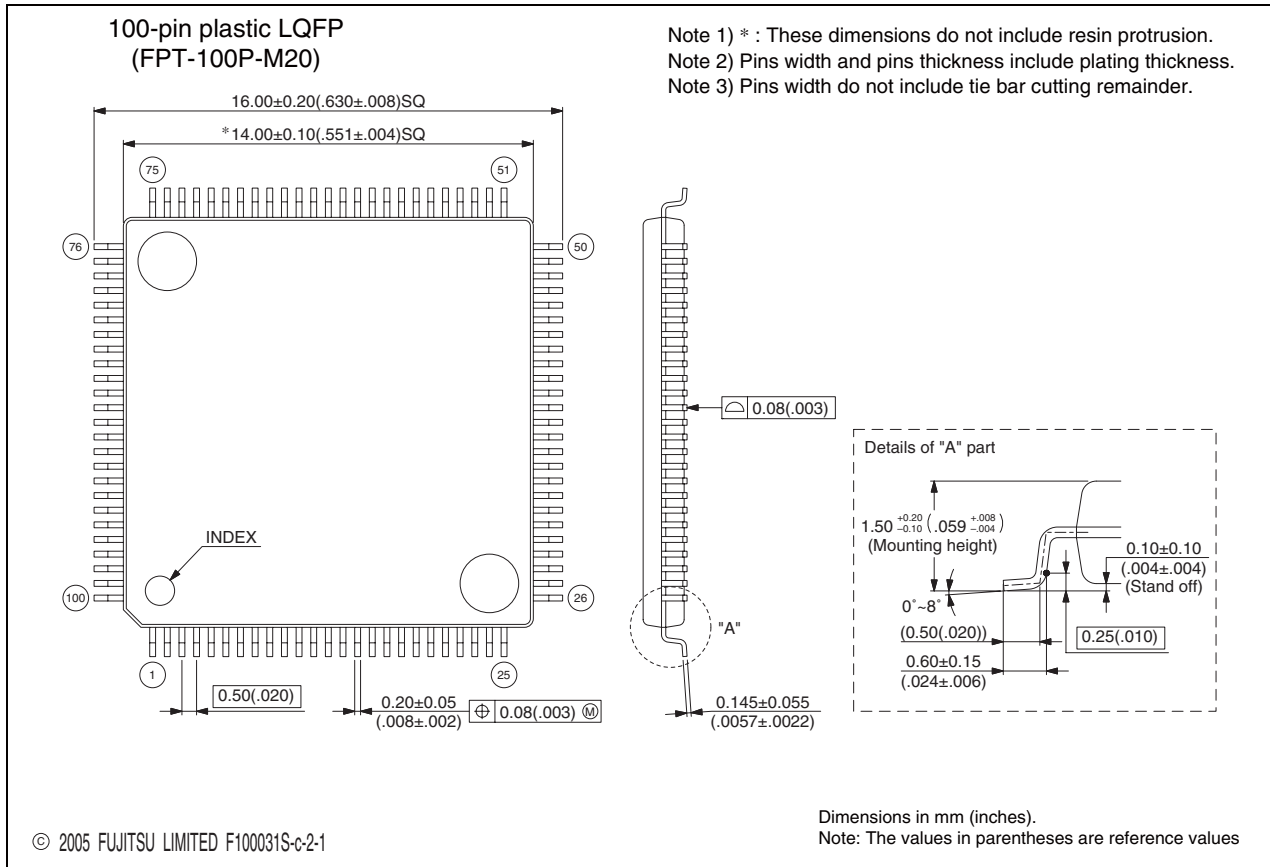
## ■ ORDERING INFORMATION

Part number	Package	Remarks
MB90F882PF MB90F883PF MB90F883APF MB90F884PF MB90F884APF MB90882PF MB90883PF MB90884PF MB90F882SPF MB90F883SPF MB90F883ASPF MB90F884SPF MB90F884ASPF MB90882SPF MB90883SPF MB90884SPF	100-pin plastic QFP (FPT-100P-M06)	With S : Single clock product (without sub clock) Without S : Dual clock product (with sub clock)
MB90F882PMC MB90F883PMC MB90F883APMC MB90F884PMC MB90F884APMC MB90882PMC MB90883PMC MB90884PMC MB90F882SPMC MB90F883SPMC MB90F883ASPMC MB90F884SPMC MB90F884ASPMC MB90882SPMC MB90883SPMC MB90884SPMC	100-pin plastic LQFP (FPT-100P-M20)	
MB90V880-101CR-ES MB90V880-102CR-ES MB90V880A-101CR-ES MB90V880A-102CR-ES	299-pin ceramic PGA (PGA-299C-A01)	Evaluation product 101 : Single clock product (without sub clock) 102 : Dual clock product (with sub clock)

# MB90880 Series

## PACKAGE DIMENSIONS

<p>100-pin plastic LQFP</p>  <p>(FPT-100P-M20)</p>	Lead pitch	0.50 mm
	Package width × package length	14.0 mm × 14.0 mm
	Lead shape	Gullwing
	Sealing method	Plastic mold
	Mounting height	1.70 mm Max
	Weight	0.65 g
	Code (Reference)	P-LFQFP100-14×14-0.50



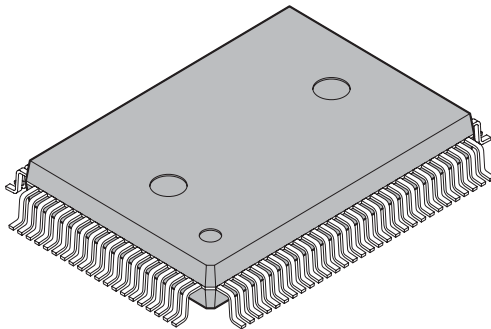
Please confirm the latest Package dimension by following URL.  
<http://edevic.fujitsu.com/fj/DATASHEET/ef-ovpklv.html>

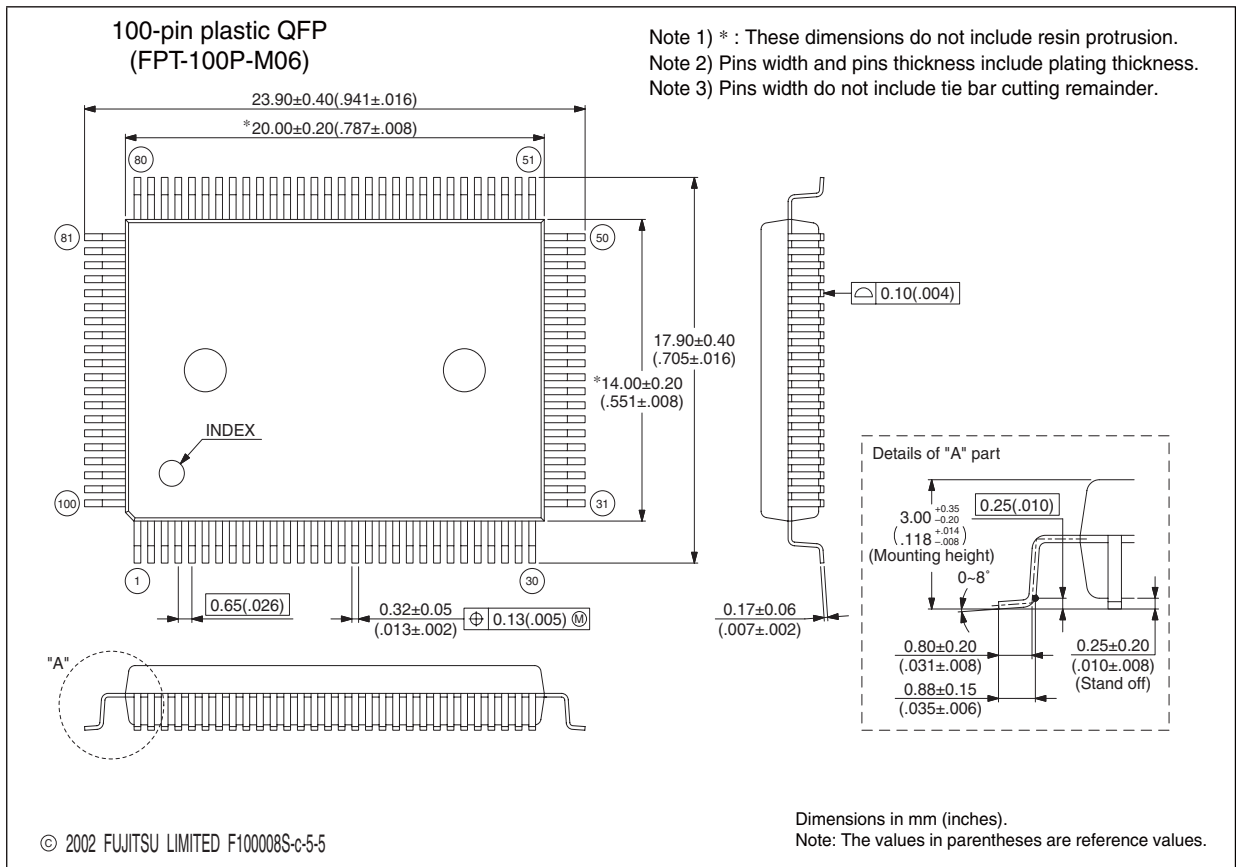
(Continued)



# MB90880 Series

(Continued)

<p style="text-align: center;">100-pin plastic QFP</p>  <p style="text-align: center;">(FPT-100P-M06)</p>	Lead pitch	0.65 mm
	Package width × package length	14.00 × 20.00 mm
	Lead shape	Gullwing
	Sealing method	Plastic mold
	Mounting height	3.35 mm MAX
	Code (Reference)	P-QFP100-14×20-0.65



Please confirm the latest Package dimension by following URL.  
<http://edevic.fujitsu.com/fj/DATASHEET/ef-ovpkv.html>

# MB90880 Series

## ■ MAIN CHANGES IN THIS EDITION

Page	Section	Change Results
—	—	Added the following part numbers: MB90F883A (S), MB90F884A (S)
3	■ PRODUCT LINEUP	Added the following details to the CPU functions: “Maximum operating frequency is 25 MHz in MB90F883 (S) , MB90F884 (S)”
		Added the following details to the base timer: “In MB90F883(S) and MB90F884(S), P24/TIO0, P25/TIO1, P26/TIO2, and P27/TIO3 cannot be used as input function.”
4		Added the "Flash memory" item
21	■ HANDLING DEVICES	Added "13. Note of MB90F883 (S), MB90F884 (S)"
43	■ ELECTRICAL CHARACTERISTICS 2. Recommended operating conditions	Added the "Smoothing capacitor" item
		Added the "• C Pin Connection Diagram"
46	■ ELECTRICAL CHARACTERISTICS 3. DC characteristics	Added the "I <sub>CTS</sub> " and "I <sub>CCLS</sub> " items to the supply current
		Changed supply current ratings: I <sub>CCS</sub> Internal 25 MHz operation; Typ 9 → 6, Max 16 → 12 I <sub>CCS</sub> Internal 33 MHz operation; Typ 12 → 10, Max 22 → 20 I <sub>CCL</sub> Typ 70 → 80 I <sub>CCT</sub> Typ 15 → 20 I <sub>CCH</sub> Typ 10 → 15
47	■ ELECTRICAL CHARACTERISTICS 4. AC characteristics (1) Clock timing ratings	Added the following details to footnote 1 of the table: “The maximum operating frequency is 25 MHz in MB90F883(S) and MB90F884(S).”
71	■ ORDERING INFORMATION	Added the following part numbers: MB90F883APF, MB90F884APF, MB90F883ASPF, MB90F884ASPF, MB90F883APMC, MB90F884APMC, MB90F883ASPMC, MB90F884ASPMC
		Added the following details to the remarks: With S : Single clock product (without sub clock) Without S : Dual clock product (with sub clock)
		Added the MB90V880 item

The vertical lines marked in the left side of the page show the changes.

# MB90880 Series

The information for microcontroller supports is shown in the following homepage.  
<http://www.fujitsu.com/global/services/microelectronics/product/micom/support/index.html>

## FUJITSU LIMITED

All Rights Reserved.

The contents of this document are subject to change without notice. Customers are advised to consult with FUJITSU sales representatives before ordering.

The information, such as descriptions of function and application circuit examples, in this document are presented solely for the purpose of reference to show examples of operations and uses of Fujitsu semiconductor device; Fujitsu does not warrant proper operation of the device with respect to use based on such information. When you develop equipment incorporating the device based on such information, you must assume any responsibility arising out of such use of the information. Fujitsu assumes no liability for any damages whatsoever arising out of the use of the information.

Any information in this document, including descriptions of function and schematic diagrams, shall not be construed as license of the use or exercise of any intellectual property right, such as patent right or copyright, or any other right of Fujitsu or any third party or does Fujitsu warrant non-infringement of any third-party's intellectual property right or other right by using such information. Fujitsu assumes no liability for any infringement of the intellectual property rights or other rights of third parties which would result from the use of information contained herein.

The products described in this document are designed, developed and manufactured as contemplated for general use, including without limitation, ordinary industrial use, general office use, personal use, and household use, but are not designed, developed and manufactured as contemplated (1) for use accompanying fatal risks or dangers that, unless extremely high safety is secured, could have a serious effect to the public, and could lead directly to death, personal injury, severe physical damage or other loss (i.e., nuclear reaction control in nuclear facility, aircraft flight control, air traffic control, mass transport control, medical life support system, missile launch control in weapon system), or (2) for use requiring extremely high reliability (i.e., submersible repeater and artificial satellite).

Please note that Fujitsu will not be liable against you and/or any third party for any claims or damages arising in connection with above-mentioned uses of the products.

Any semiconductor devices have an inherent chance of failure. You must protect against injury, damage or loss from such failures by incorporating safety design measures into your facility and equipment such as redundancy, fire protection, and prevention of over-current levels and other abnormal operating conditions.

If any products described in this document represent goods or technologies subject to certain restrictions on export under the Foreign Exchange and Foreign Trade Law of Japan, the prior authorization by Japanese government will be required for export of those products from Japan.

The company names and brand names herein are the trademarks or registered trademarks of their respective owners.

Edited Business Promotion Dept.