

## Schottky Barrier Diode

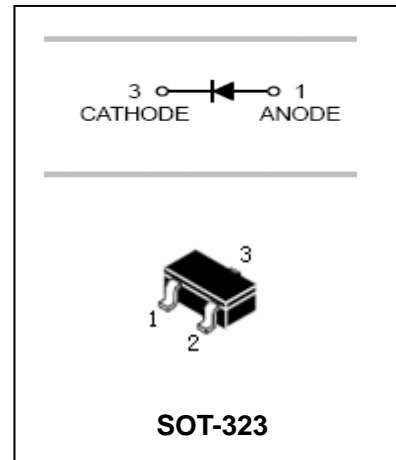
## RB461F

### FEATURES

- Small total capacitance.
- Power dissipation.( $P_D=150mW$ )



Lead-free



**SOT-323**

### APPLICATIONS

- For general purpose applications.

### ORDERING INFORMATION

Type No.	Marking	Package Code
RB461F	3B	SOT-323

### MAXIMUM RATING @ Ta=25°C unless otherwise specified

Parameter	Symbol	Limits	Unit
Diode reverse voltage	$V_R$	20	V
Forward continuous Current	$I_F$	700	mA
Power Dissipation	$P_d$	150	mW
Junction temperature	$T_j$	150	°C
Storage temperature range	$T_{stg}$	-55-+150	°C

### ELECTRICAL CHARACTERISTICS @ Ta=25°C unless otherwise specified

Parameter	Symbol	Test conditions	MIN	Typ.	MAX	UNIT
Reverse breakdown voltage	$V_{(BR)R}$	$I_R=1mA$	20			V
Reverse current	$I_R$	$V_R=20V$			200	$\mu A$
Forward voltage	$V_F$	$I_F=700mA$			0.49	V

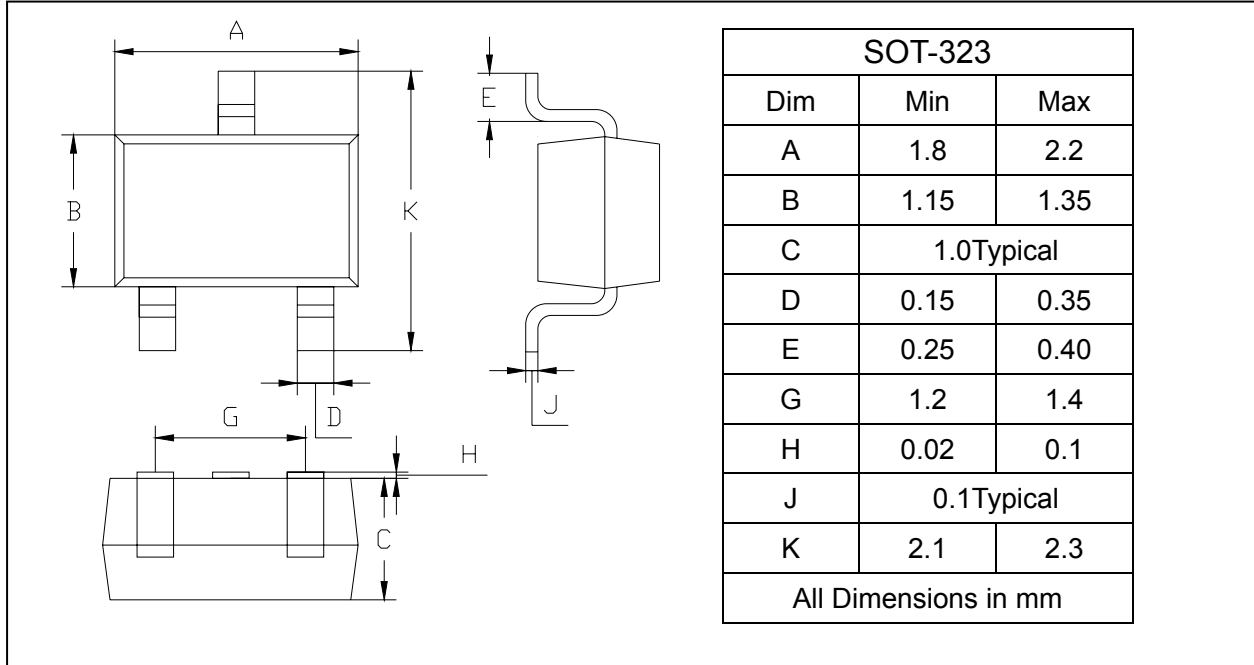
## Schottky Barrier Diode

## RB461F

### PACKAGE OUTLINE

Plastic surface mounted package

SOT-323



### PACKAGE INFORMATION

Device	Package	Shipping
RB461F	SOT-323	3000/Tape&Reel