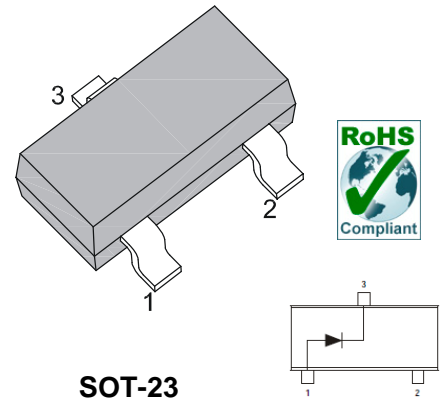


300mW Surface Mount Zener Diodes

Features

- Silicon Planar Power Zener Diodes
- 350mW Power Dissipation
- Standard Zener Voltage Tolerance is $\pm 5\%$
- Ideally Suited for Automated Assembly Processes
- High temperature soldering guaranteed: 260 °C / 10 seconds in reflow soldering process
- RoHS Compliant



SOT-23

Mechanical Data

Case:	SOT-23, Molded Plastic
Terminals:	Solderable per MIL-STD-202G, Method 208,
Weight:	0.0088 grams

Maximum Ratings & Electrical Characteristics ($T_{Ambient}=25^{\circ}C$ unless noted otherwise)

Symbol	Description	Value	Unit	Conditions
P_D	Power Dissipation upto Ta= 25° C	300	mW	Note 1
	Power Dissipation upto Tc= 25° C	250	mW	Note 2
R_{thJA}	Thermal Resistance Junction to Ambient Air	420	° C/W	
T_J	Junction Temperature	150	° C	
T_{STG}	Storage Temperature Range	-65 to +150	° C	

- Note:**
1. Device mounted on a ceramic alumina
 2. Device mounted on an FR-5 printed circuit board

300mW Surface Mount Zener Diodes

BZX84C2V4 - BZX84C75

Part NO.	Marking Code	Nominal Zener Voltage @ I _{ZT}			Test Current I _{ZT} (mA)	Max. Zener Impedance			Max. Reverse Leakage Current I _R @ V _R	
		V _Z (V)				Z _{ZT} @ I _{ZT}	Z _{ZK} @ I _{ZK}	I _{ZK} (mA)	I _R (μA)	V _R (V)
		Nom.	Min.	Max.						
BZX84C2V4	Z11	2.4	2.2	2.6	5.0	100	600	1.0	50.00	1.0
BZX84C2V7	Z12	2.7	2.5	2.9	5.0	100	600	1.0	20.00	1.0
BZX84C3V0	Z13	3.0	2.8	3.2	5.0	95	600	1.0	10.00	1.0
BZX84C3V3	Z14	3.3	3.1	3.5	5.0	95	600	1.0	5.00	1.0
BZX84C3V6	Z15	3.6	3.4	3.6	5.0	90	600	1.0	5.00	1.0
BZX84C3V9	Z16	3.9	3.7	4.1	5.0	90	600	1.0	3.00	1.0
BZX84C4V3	Z17	4.3	4.0	4.6	5.0	90	600	1.0	3.00	1.0
BZX84C4V7	Z1	4.7	4.4	5.0	5.0	80	500	1.0	3.00	2.0
BZX84C5V1	Z2	5.1	4.8	5.4	5.0	60	480	1.0	2.00	2.0
BZX84C5V6	Z3	5.6	5.2	6.0	5.0	40	400	1.0	1.00	2.0
BZX84C6V2	Z4	6.2	5.8	6.6	5.0	10	150	1.0	3.00	4.0
BZX84C6V8	Z5	6.8	6.4	7.2	5.0	15	80	1.0	2.00	4.0
BZX84C7V5	Z6	7.5	7.0	7.9	5.0	15	80	1.0	1.00	5.0
BZX84C8V2	Z7	8.2	7.7	8.7	5.0	15	80	1.0	0.70	5.0
BZX84C9V1	Z8	9.1	8.5	9.6	5.0	15	100	1.0	0.50	6.0
BZX84C10	Z9	10	9.4	10.6	5.0	20	150	1.0	0.20	7.0
BZX84C11	Y1	11	10.4	11.6	5.0	20	150	1.0	0.10	8.0
BZX84C12	Y2	12	11.4	12.7	5.0	25	150	1.0	0.10	8.0
BZX84C13	Y3	13	12.4	14.1	5.0	30	170	1.0	0.10	8.0
BZX84C15	Y4	15	13.8	15.6	5.0	30	200	1.0	0.05	0.7
BZX84C16	Y5	16	15.3	17.1	5.0	40	200	1.0	0.05	0.7
BZX84C18	Y6	18	16.8	19.1	5.0	45	225	1.0	0.05	0.7
BZX84C20	Y7	20	18.8	21.2	5.0	55	225	1.0	0.05	0.7
BZX84C22	Y8	22	20.8	23.3	5.0	55	250	1.0	0.05	0.7
BZX84C24	Y9	24	22.8	25.6	5.0	70	250	1.0	0.05	0.7
BZX84C27	Y10	27	25.1	28.9	2.0	80	300	0.5	0.05	0.7
BZX84C30	Y11	30	28.0	32.0	2.0	80	300	0.5	0.05	0.7
BZX84C33	Y12	33	31.0	35.0	2.0	80	325	0.5	0.05	0.7
BZX84C36	Y13	36	34.0	38.0	2.0	90	350	0.5	0.05	0.7

300mW Surface Mount Zener Diodes

BZX84C2V4 - BZX84C75

Part NO.	Marking Code	Nominal Zener Voltage @ I _{ZT}			Test Current I _{ZT} (mA)	Max. Zener Impedance			Max. Reverse Leakage Current I _R @ V _R	
		V _Z (V)				Z _{ZT} @ I _{ZT}	Z _{ZK} @ I _{ZK}	I _{ZK} (mA)	I _R (μA)	V _R (V)
		Nom.	Min.	Max.						
BZX84C39	Y14	39	37.0	41.0	2.0	130	350	0.5	0.05	0.7
BZX84C43	Y15	43	40.0	46.0	2.0	150	375	0.5	0.05	0.7
BZX84C47	Y16	47	44.0	50.0	2.0	170	375	0.5	0.05	0.7
BZX84C51	Y17	51	48.0	54.0	2.0	180	400	0.5	0.05	0.7
BZX84C56	Y18	56	52.0	60.0	2.0	200	425	0.5	0.05	0.7
BZX84C62	Y19	62	58.0	66.0	2.0	215	450	0.5	0.05	0.7
BZX84C68	Y20	68	64.0	72.0	2.0	240	475	0.5	0.05	0.7
BZX84C75	Y21	75	70.0	79.0	2.0	255	500	0.5	0.05	0.7

Characteristics Curves

Fig.1 Power Derating Curve

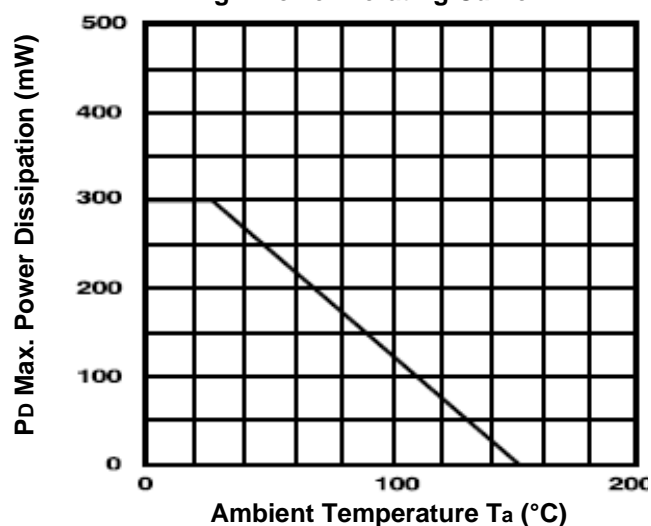
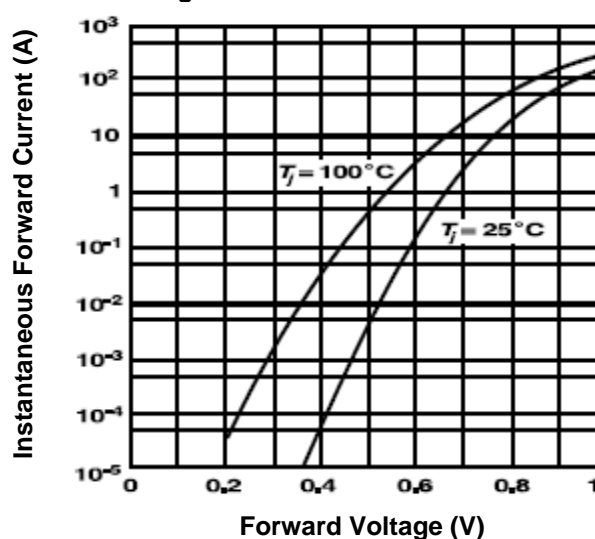


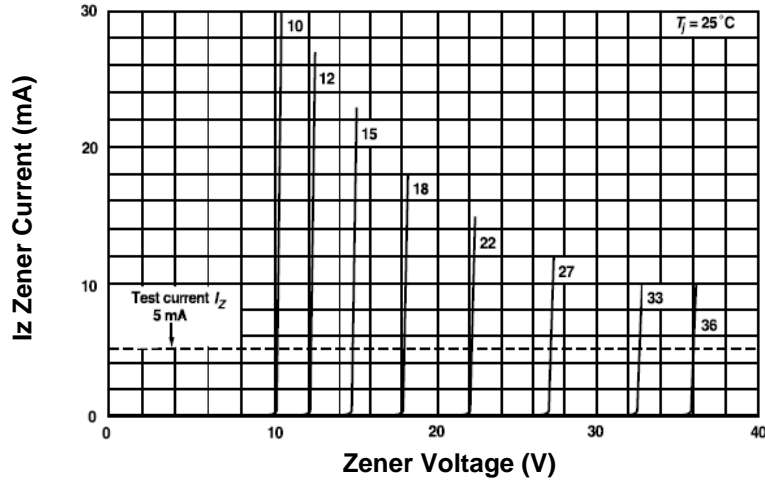
Fig.2 Forward Characteristics



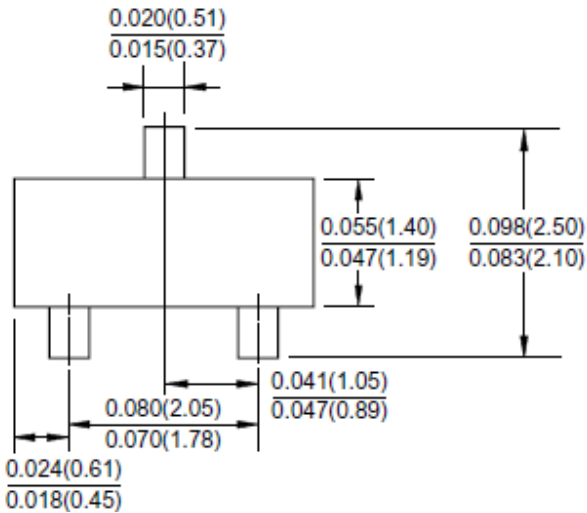
300mW Surface Mount Zener Diodes

BZX84C2V4 - BZX84C75

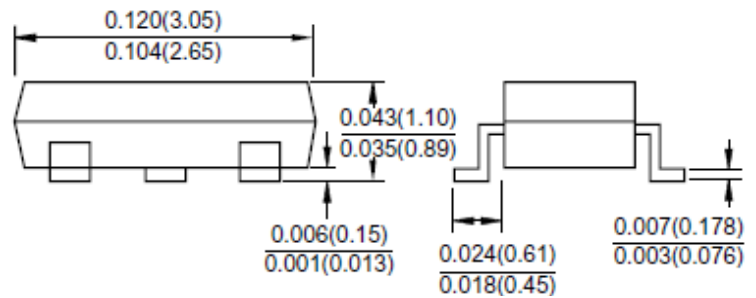
Fig.3 Breakdown Characteristics



Dimensions in inch (mm)



SOT-23



300mW Surface Mount Zener Diodes

BZX84C2V4 - BZX84C75

How to contact us:

US HEADQUARTERS

28040 WEST HARRISON PARKWAY, VALENCIA, CA 91355-4162

Tel: (800) TAITRON (800) 824-8766 (661) 257-6060

Fax: (800) TAITFAX (800) 824-8329 (661) 257-6415

Email: taitron@taitroncomponents.com

Http://www.taitroncomponents.com

TAITRON COMPONENTS MEXICO, S.A .DE C.V.

BOULEVARD CENTRAL 5000 INTERIOR 5 PARQUE INDUSTRIAL ATITALAQUIA, HIDALGO C.P.
42970 MEXICO

Tel: +52-55-5560-1519

Fax: +52-55-5560-2190

TAITRON COMPONETS INCORPORATED E REPRESENTAÇÕES DO BRASIL LTDA

RUA DOMINGOS DE MORAIS, 2777, 2.ANDAR, SALA 24 SAÚDE - SÃO PAULO-SP 04035-001
BRAZIL

Tel: +55-11-5574-7949

Fax: +55-11-5572-0052

TAITRON COMPONETS INCORPORATED, SHANGHAI REPRESENTATIVE OFFICE

METROBANK PLAZA, 1160 WEST YAN' AN ROAD, SUITE 1503, SHANGHAI, 200052, CHINA

Tel: +86-21-5424-9942

Fax: +86-21-5424-9931