

Marketing Bulletin

DATE: Janaury 11th, 2006
TO: All Sales Personnel
FROM: Mark Stoner
RE: Product Terminations

To all concerned parties,

This bulletin is to notify all customers of the termination of the following Ecliptek series effective January 11th, 2006:

| Series | Description | Recommended Replacement |
|---------------|--------------------|--------------------------------|
| E7WS | SMD Watch Crystal | E1WS, E5WS, E6WS |

Because of the circumstances surrounding this termination, there will be no end-of-life policy exercised. The series will be terminated with no purchasing or lifetime buy window available.

All of us at Ecliptek Corporation apologize for any inconvenience this may have caused and can assure you we are taking measures to insure this will not happen again in the future. If there are any questions pertaining to this bulletin, please feel free to contact me. Thank you for your cooperation.

Best Regards,

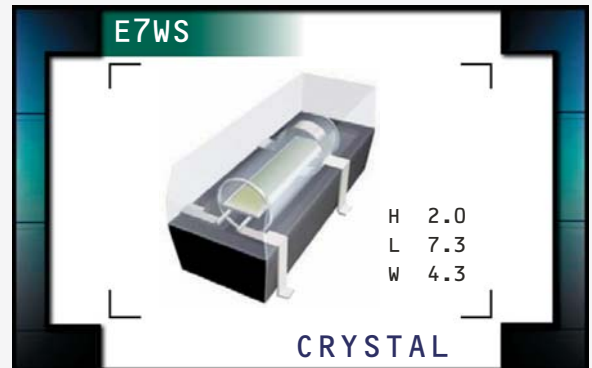


Mark W. Stoner
Director of Marketing
Ecliptek Corporation

E7WS Series



- RoHS Compliant
- 32.768kHz watch crystal
- Miniature four pad surface mount package
- ± 20 ppm frequency tolerance
- 12.5pF load capacitance
- Tape and reel available



NOTES

OBSOLETE

ELECTRICAL SPECIFICATIONS

| | |
|------------------------------------|---|
| Frequency | 32.768kHz |
| Frequency Tolerance (at 25°C) | ± 20 ppm |
| Frequency Stability | -0.035ppm / $(\Delta^\circ\text{C})^2$ Maximum, Parabolic; Turn Over Temperature at 25°C $\pm 5^\circ\text{C}$ |
| Operating Temperature Range | -40°C to 85°C |
| Aging (at 25°C) | ± 3 ppm / year Maximum |
| Storage Temperature Range | -55°C to 125°C |
| Shunt Capacitance | 0.9pF Typical, 2pF Maximum |
| Motional Capacitance | 2.3fF Typical |
| Equivalent Series Resistance | 55,000 Ohms Maximum |
| Insulation Resistance | 500 Megaohms Minimum at 100V _{DC} |
| Drive Level | 1 μ Watt Maximum |
| Load Capacitance (C _L) | 12.5pF |

MANUFACTURER
ECLIPTEK CORP.

CATEGORY
CRYSTAL

SERIES
E7WS

PACKAGE
PLASTIC

CLASS
CR55

REV. DATE
11/05

PART NUMBERING GUIDE

E7WSDC 12 - 32.768K TR

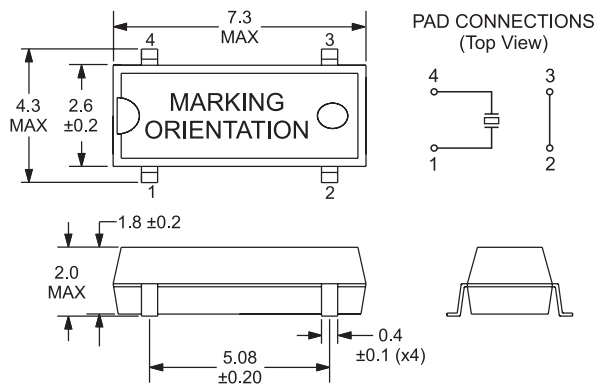
LOAD CAPACITANCE
12=12.5pF

PACKAGE OPTIONS
Blank=Bulk, TR=Tape and Reel

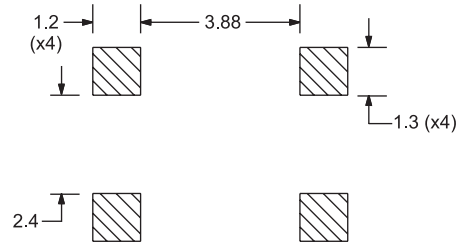
NOTES

OBSOLETE

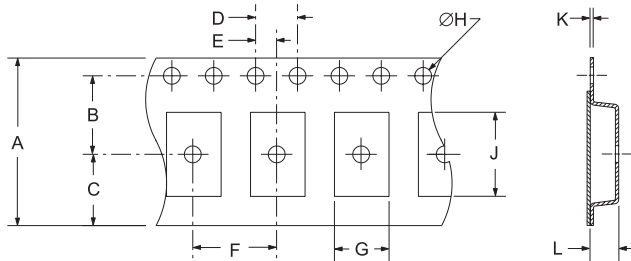
MECHANICAL DIMENSIONS ALL DIMENSIONS IN MILLIMETERS



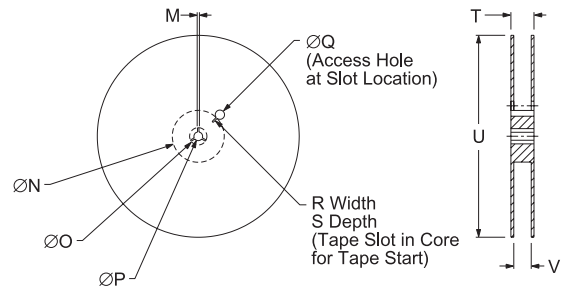
SUGGESTED SOLDER PAD LAYOUTS ALL DIMENSIONS IN MILLIMETERS



TAPE AND REEL DIMENSIONS ALL DIMENSIONS IN MILLIMETERS

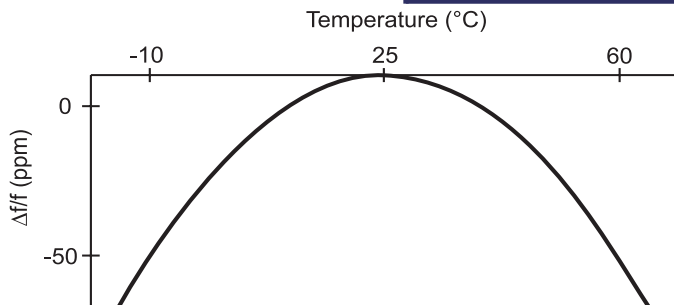


| TAPE | A | B | C | D | E | |
|------|-------|---------|---------|---------|--------|--------|
| | 16±.3 | 7.5±.1 | 6.75±.1 | 4±.2 | 2±.1 | |
| | F | G | H | J | K | L |
| | 8±.2 | 4.35±.1 | 1.5±.1 | 10.7±.2 | .5±.05 | 3.7±.2 |



| REEL | M | N | O | P | Q | |
|------|---------|--------|----------|---------|----------|----------|
| | 1.5 MIN | 50 MIN | 20.2 MIN | 13±.2 | 40 MIN | |
| | R | S | T | U | V | QTY/REEL |
| | 2.5 MIN | 10 MIN | 22.4 MAX | 360 MAX | 16.4±2-0 | 3,000 |

PARABOLIC TEMPERATURE CURVE



MARKING SPECIFICATIONS

Line 1: CS XXXXX
 Lot Identifier (5 Characters MAX)
 Frequency Code

MANUFACTURER
ECLIPTEK CORP.

CATEGORY
CRYSTAL

SERIES
E7WS

PACKAGE
PLASTIC

CLASS
CR55

REV. DATE
11/05