

Single Port MAC/PHY Controller with Non PCI Interface

Description

The KSZ8851 is a single-port embedded controller chip with 8/16/32-bit and SPI host interfaces. The device is pin compatible with Micrel's KSZ8841 and KSZ8842 product families.

The KSZ8851 integrates a Fast Ethernet MAC/PHY with an 8/16/32-bit generic host processor interface and SPI interface. The device has 18KB of internal buffer memory shared between the RXQ and TXQ. The buffer memory on the receive queue is 12KB while the buffer memory for the transmit queue is 6KB.

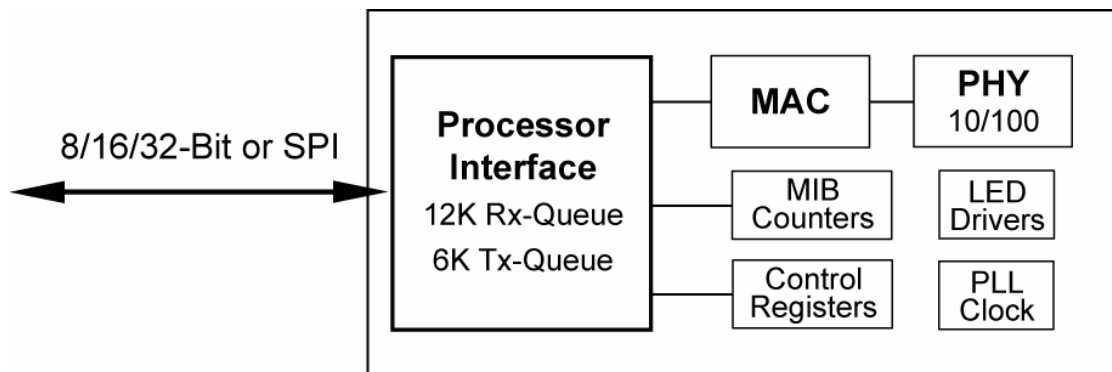
The KSZ8851 is designed with flexibility in mind. The device is designed using a low-power CMOS process which features programmable IO options of 1.8/2.5/3.3V.

The KSZ8851 supports cable diagnostics feature LinkMD[®] and Hewlett Packard (HP) Auto-MDIX. The LinkMD[®] feature determines the length of the cabling plant and also ascertains if there is an open or short condition in the cable. Hewlett Packard (HP) Auto-MDIX features eliminates the need to differentiate between straight or crossover cables.

The KSZ8851 is designed to be fully compliant with the IEEE 802.3 standards. The KSZ8851 is also available in industrial grade version.

All datasheets and support documentation can be found on Micrel's web site at: www.micrel.com.

Block Diagram



KSZ8851 Block Diagram

Features

- Single chip 10BASE-T/100BASE-TX Ethernet controller with IEEE802.3u support
- Supports IEEE 802.3x full-duplex flow control and half-duplex backpressure collision flow control
- Single bus timing for register and data accesses
- Supports burst data transfers
- Flexible 8-bit, 16-bit, 32-bit generic host processor interfaces and SPI host interface
- Supports both Big- and Little-Endian processors
- Efficient architecture design with configurable host interrupt schemes to minimize host CPU overhead and utilization
- 18KB internal memory for RX/TX FIFO buffers
 - 12KB RXQ and 6KB TXQ
- Ability to transmit and receive frames up to 2000 bytes
- Supports TCP/UDP/ICMP/IPv4/IPv6 32-bit CRC checksum generation and checking
- Powerful and flexible address filtering scheme
- Support for loop back mode
- Wake-on-LAN functionality
 - Incorporates Magic Packet™, network link state, and wake-up frame technology
- Enhanced power management feature with energy detect mode and power-down mode to ensure low-power dissipation during device idle periods
- HP Auto MDI-X™ crossover with disable/enable option

- Micrel LinkMD® cable diagnostic capabilities to determine cable length, diagnose faulty cables, and determine distance to fault
- Comprehensive LED indicator support for link, activity, full/half duplex, and 10/100 speed (4 LEDs)
 - User programmable
- Low-power CMOS design
- Programmable IO Options: 3.3V/2.5/1.8V
- Commercial temperature range: 0°C to +70°C
- Industrial temperature range: -40°C to +85°C
- Available in 128-pin PQFP (8/16/32 Generic Bus), 48-pin LQFP (8/16 Generic Bus) and 32-pin QFN (SPI)

Applications

- Video Distribution Systems
- High-end Cable, Satellite, and IP set-top boxes
- Video over IP (VoIP)
- Analog Telephone Adapters (ATA)
- Industrial Control in Latency Critical Applications
- Motion Control
- Industrial Control Sensor Devices (Temperature, Pressure, Levels, and Valves)
- Security and Surveillance Cameras

Corporate Sales Offices

Location	Address		Telephone	Fax
Corporate HQ	2180 Fortune Dr.	San Jose, CA 95131 USA	(408) 944-0800	(408) 474-1000
Western USA	2180 Fortune Dr.	San Jose, CA 95131 USA	(408) 944-0800	(408) 474-1000
Central USA	2425 N. Central Expressway, Suite 351	Richardson, TX 57080 USA	(972) 393-2533	(408) 474-1210
Eastern USA	93 Branch St.	Medford, NJ 08055 USA	(609) 654-0078	(609) 654-0989
Latin America	2425 N. Central Expressway, Suite 351	Richardson, TX 57080 USA	(972) 393-2533	(408) 474-1210
China	Rm 601, Bldg., Int'l Chamber of Commerce Mansion, Fuhua Rd., Futian District	Shenzhen, P.R. China	+86-755-8302-7618	+86-755-8302-7637
Japan	Queen's Tower A 14F, 2-3-1, Minato Mirai, Nishi-Ku, Yokohama-Shi	Kanagawa 220-6014, Japan	+81-45-224-6616	+81-45-224-6716
Korea	8F AnnJay Tower Bldg., 718-2, Yeoksam-Dong	Kangnam-Ku, Seoul 135-080 Korea	82 (2) 538-2380	82 (2) 538-2381
Singapore/India	300 Beach Rd., #10-07 Concourse	Singapore 199555	+65-6291-1318	+65-6291-1332
Taiwan	4F, No. 43 Lane 188, Rueiguang Rd., Neihu District	Taipei, Taiwan, R.O.C.	+866 (2) 8751-0600	+866 (2) 8751-0746
France/Southern Europe	Les Laurentides Immeuble Ontario, 3 avenue du Quebec	91140 Villebon sur Yvette, France	+33 (0) 1.6092.4190	+33 (0) 1.6092.4189
UK/EMEA	1 st Floor, 3 Lockside Place, Mill Lane, Newbury, Berks	United Kingdom RG14 5QS	+44 (1635) 524455	+44 (1635) 524466
Sweden/Nordic	Lundagatan 11 6tr	SE-171 63 Solna Sweden	+46 (8) 470-5950	+46 (8) 470-5950

