

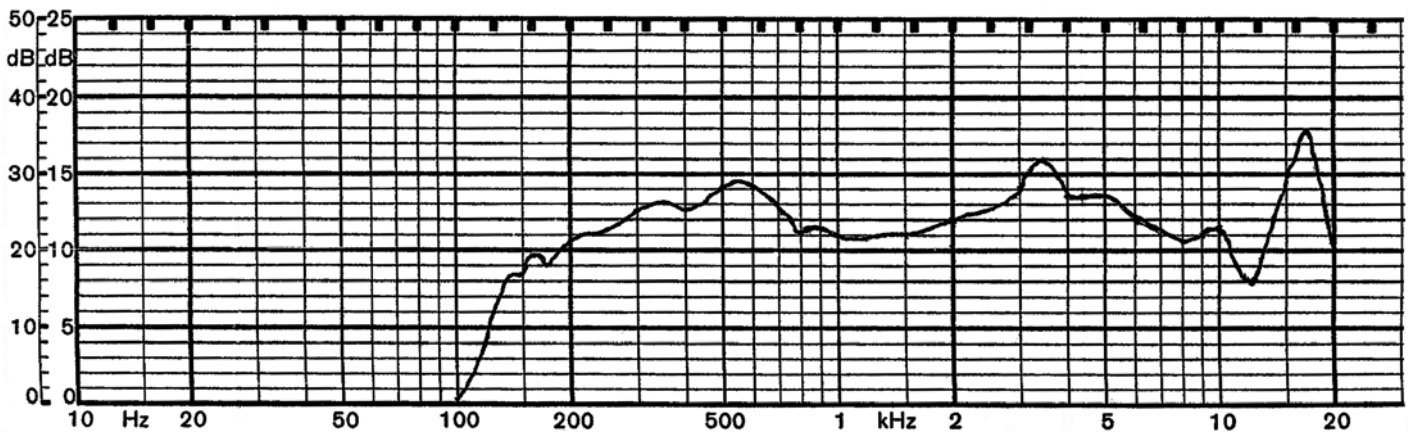


### Specifications

Nominal Size	40.1 x 40.1 x 14.5 mm (See attached drawing)		
Impedance	8 Ohm $\pm$ 15%	at	1K Hz 1 V
Resonant frequency	270 Hz $\pm$ 54 Hz	at	1 V
Sound pressure level	86 dB/w $\pm$ 3 dB	1 w 50 cm ave. at	0.4K, 0.5K, 0.6K, 0.8KHz
Response	Fo Hz ~ 20 KHz max 10 dB		
Input power	Nominal 4 W	Handling capacity	6 W
Operation	must be normal at program source 4 W		
Buzz, rattle, etc.	must be normal at sine wave 5.67 V		
Magnet	Size: 24.6 x 3.5 mm		
Load test	White noise 4 W	for	24 hours
Heat test	65 $\pm$ 2° C	20-50% R.H.	24 hours
Humidity test	40 $\pm$ 2° C	90-95% R.H.	24 hours

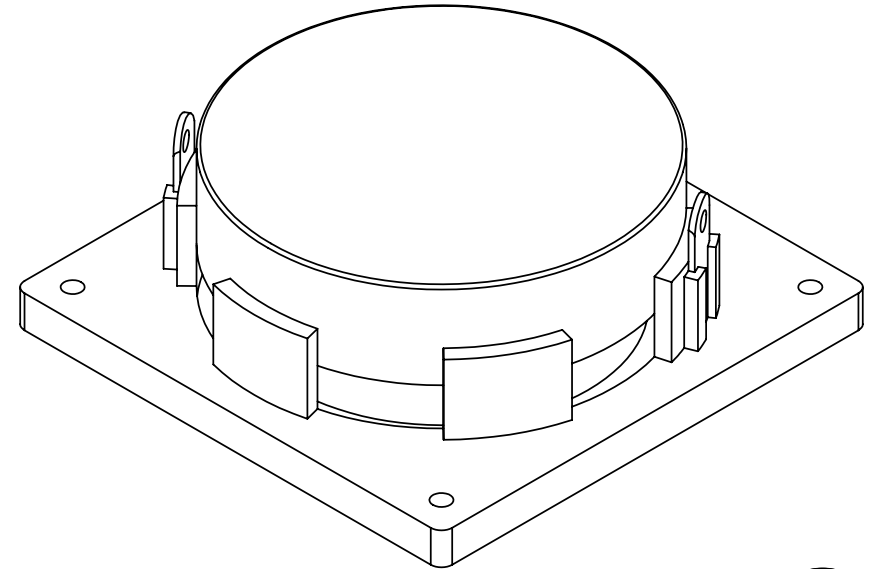
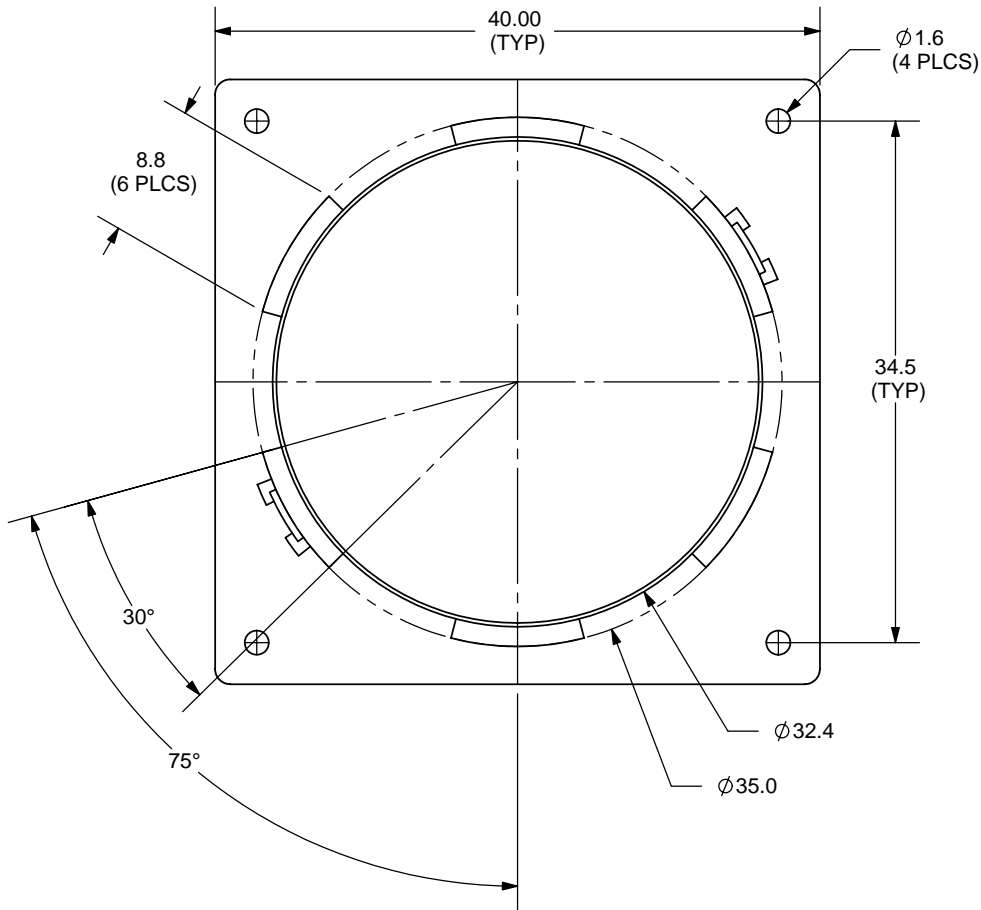
### Frequency Response Curve

Potentiometer range	50 dB
Rectifier	RMS
Lower limit frequency	20 Hz
Wr. speed	100 mm/sec

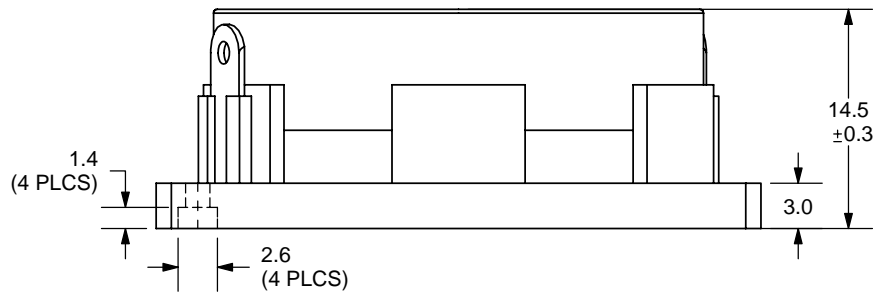


Zero level 60 dB

REV.	DESCRIPTION	DATE
A	NEW DRAWING	10/2/2006



TOLERANCE:  
±0.2mm UNLESS OTHERWISE  
SPECIFIED



20050 SW 112th Ave.  
Tualatin, OR 97062  
Phone: 503-643-4899  
800-275-4899  
Fax: 503-372-1266  
Website: www.cui.com

TITLE: MINIATURE MONITOR SPEAKER		REV: A
PART NO. CMS0401KL-1X	UNITS: MM [INCHES]	
DRAWN BY: ZRJ	APPROVED BY:	SCALE: 2:1

PC FILE NAME:  
CMS0401KL-1X

COPYRIGHT 2006 BY CUI INC.