

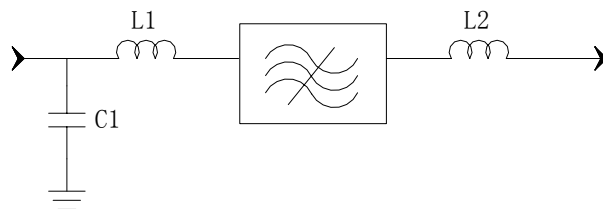
Specifications

Parameter	Unit	Minimum	Typical	Maximum
Center Frequency	MHz	109.85	100	100.15
Insertion Loss	dB	-	33	34
3 dB Bandwidth	MHz	29.95	29.97	30.05
35 dB Bandwidth	MHz	-	30.71	30.8
40 dB Bandwidth	MHz	-	30.77	-
45 dB Bandwidth	MHz	-	30.84	31.2
50 dB Bandwidth	MHz	-	30.94	32
Passband Variation	dB	-	1.5	2
Absolute Delay	usec	-	3.1	4
Ultimate Rejection($f_0 \pm 60\text{MHz}$)	dB	43	45	-
Material Temperature coefficient	KHz/°C		-8.2	
Ambient Temperature	°C		25	
Package Size		DIP3512 (35.0x12.8x4.7mm ³)		

Notes:

1. All specifications are based on the test circuit shown
2. In production, devices will be tested at room temperature to a guardbanded specification to ensure electrical compliance over temperature
3. Electrical margin has been built into the design to account for the variations due to temperature drift and manufacturing tolerances
4. This is the optimum impedance in order to achieve the performance show

Matching Configuration



L1=100nH L2=120nH

C1=33pF

Source/Load Impedance=50 ohm

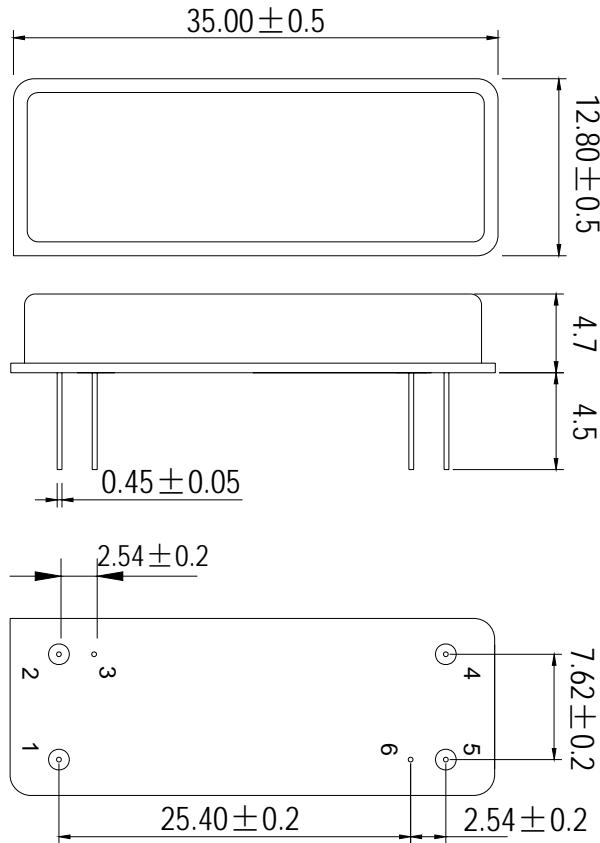
Notes - Component values may change depending on board layout.



SIPAT Co., Ltd.
(CETC No. 26 Research Institute)
Nanping Huayuan Road No. 14
Chongqing, China, 400060

Part Number	LBN10012	
Rev. Date	2006-3-20	
Rev.	1.0	Page 1/3

Package Dimension



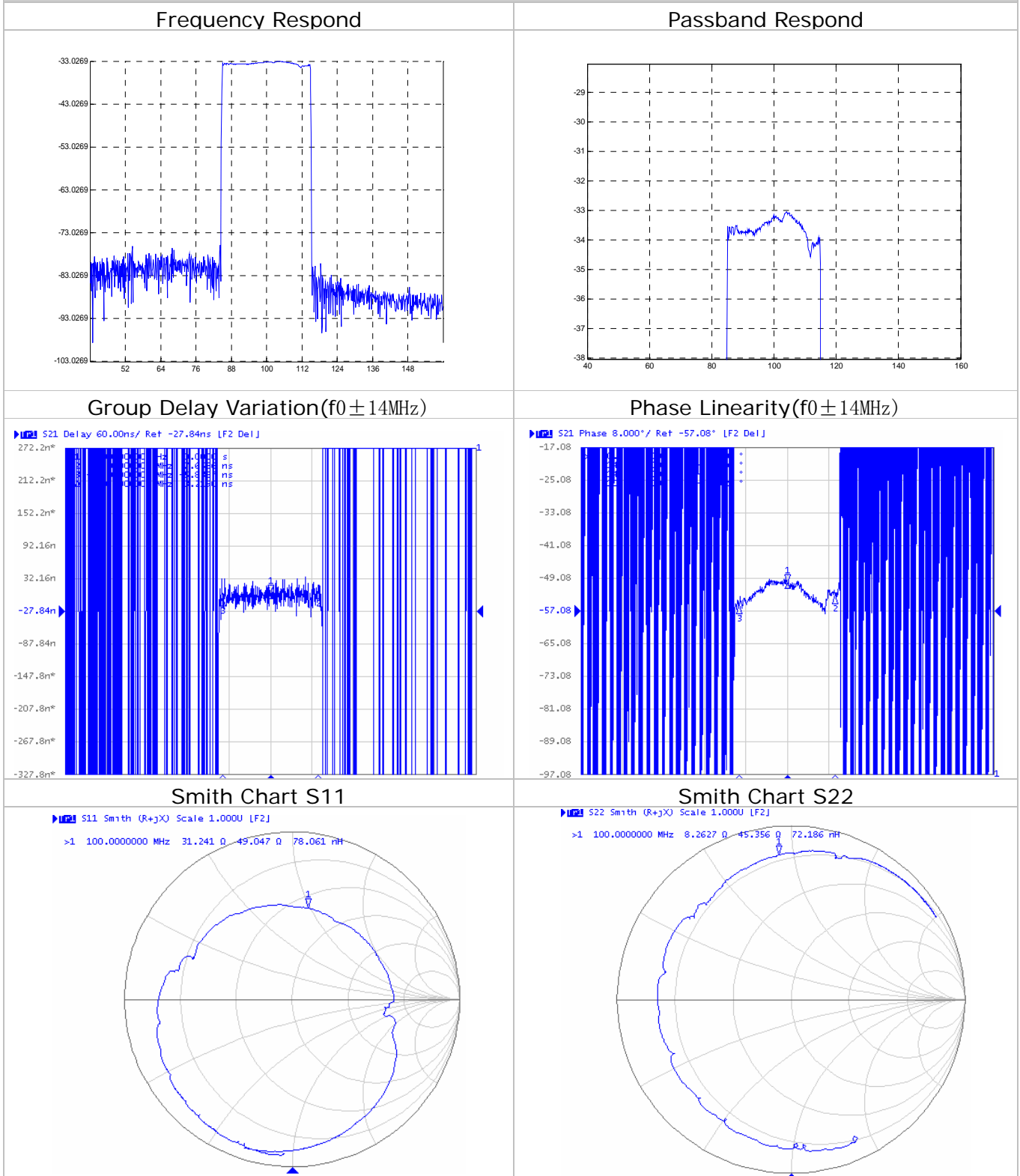
Input:1
Output:5



SIPAT Co., Ltd.
(CETC No. 26 Research Institute)
Nanping Huayuan Road No. 14
Chongqing, China, 400060

Part Number	LBN10012	
Rev. Date	2006-3-20	
Rev.	1.0	Page 2/3

Typical Performance



SIPAT Co., Ltd.
(CETC No. 26 Research Institute)
Nanping Huayuan Road No. 14
Chongqing, China, 400060

Part Number	LBN10012	
Rev. Date	2006-3-20	
Rev.	1.0	Page 3/3