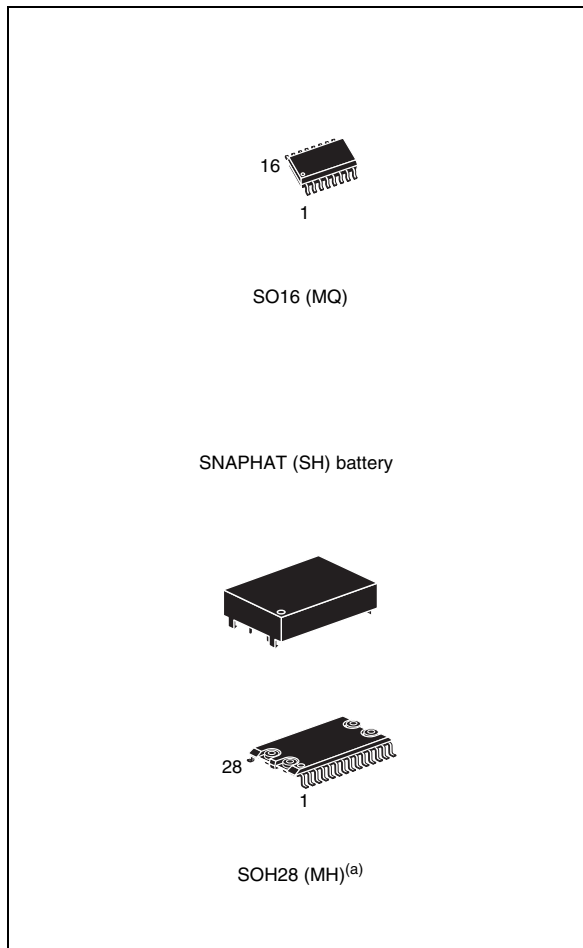


## 5V or 3V NVRAM supervisor for LPSRAM

### Features

- Convert low power SRAMs into NVRAMs
- 5V or 3V operating voltage
- Precision power monitoring and power switching circuitry
- Automatic write-protection when  $V_{CC}$  is out-of-tolerance
- Choice of supply voltages and power-fail deselect voltages:
  - M40SZ100Y:  $V_{CC} = 4.5$  to  $5.5V$ ;  
 $4.20V \leq V_{PFD} \leq 4.50V$
  - M40SZ100W:  $V_{CC} = 2.7$  to  $3.6V$ ;  
 $2.55V \leq V_{PFD} \leq 2.70V$
- Reset output ( $\overline{RST}$ ) for power on reset
- 1.25V reference (for PFI/ $\overline{PFO}$ )
- Less than 10ns chip enable access propagation delay (at 5V)
- Optional packaging includes a 28-lead SOIC and SNAPHAT<sup>®</sup> top (to be ordered separately)
- 28-lead SOIC package provides direct connection for a SNAPHAT top which contains the battery<sup>(a)</sup>
- Battery low pin ( $\overline{BL}$ )
- RoHS compliant
  - Lead-free second level interconnect



a. Contact local ST sales office for availability.

# Contents

|          |   |           |
|----------|---|-----------|
| <b>1</b> | <b>Description</b> .....                                  | <b>5</b>  |
| <b>2</b> | <b>Operation</b> .....                                    | <b>9</b>  |
| 2.1      | Data retention lifetime calculation .....                 | 9         |
| 2.2      | Power-on reset output .....                               | 12        |
| 2.3      | Reset input (RSTIN) .....                                 | 12        |
| 2.4      | Battery low pin .....                                     | 12        |
| 2.5      | Power-fail input/output .....                             | 13        |
| 2.6      | V <sub>CC</sub> noise and negative going transients ..... | 13        |
| <b>3</b> | <b>Maximum ratings</b> .....                              | <b>15</b> |
| <b>4</b> | <b>DC and AC parameters</b> .....                         | <b>16</b> |
| <b>5</b> | <b>Package mechanical data</b> .....                      | <b>19</b> |
| <b>6</b> | <b>Part numbering</b> .....                               | <b>23</b> |
| <b>7</b> | <b>Revision history</b> .....                             | <b>24</b> |

## List of tables

|           |  |    |
|-----------|--|----|
| Table 1.  | Signal names . . . . .   | 6  |
| Table 2.  | Power down/up AC characteristics . . . . .   | 11 |
| Table 3.  | Reset AC characteristics . . . . .   | 12 |
| Table 4.  | Absolute maximum ratings . . . . .   | 15 |
| Table 5.  | DC and AC measurement conditions . . . . .   | 16 |
| Table 6.  | Capacitance . . . . .  | 17 |
| Table 7.  | DC characteristics . . . . .   | 17 |
| Table 8.  | SO16 – 16-lead plastic small plastic package mechanical data . . . . .             | 19 |
| Table 9.  | SOH28 – 28-lead plastic small outline, battery SNAPHAT, pack. mech. data . . . . . | 20 |
| Table 10. | SH – 4-pin SNAPHAT housing for 48mAh battery, package mechanical data . . . . .    | 21 |
| Table 11. | SH – 4-pin SNAPHAT housing for 120mAh battery, package mechanical data . . . . .   | 22 |
| Table 12. | Ordering information scheme . . . . .  | 23 |
| Table 13. | SNAPHAT® battery table . . . . .   | 23 |
| Table 14. | Document revision history . . . . .  | 24 |

## List of figures

|            |  |    |
|------------|--|----|
| Figure 1.  | Logic diagram . . . . .  | 5  |
| Figure 2.  | SOIC16 connections . . . . .   | 6  |
| Figure 3.  | SOIC28 connections . . . . .   | 7  |
| Figure 4.  | Block diagram . . . . .  | 7  |
| Figure 5.  | Hardware hookup . . . . .  | 8  |
| Figure 6.  | Power down timing . . . . .  | 10 |
| Figure 7.  | Power up timing . . . . .  | 11 |
| Figure 8.  | RSTIN timing waveform . . . . .  | 12 |
| Figure 9.  | Supply voltage protection . . . . .  | 14 |
| Figure 10. | AC testing load circuit . . . . .  | 16 |
| Figure 11. | AC testing input/output waveforms . . . . .  | 17 |
| Figure 12. | SO16 – 16-lead plastic small package outline . . . . .                                     | 19 |
| Figure 13. | SOH28 – 28-lead plastic small outline, 4-socket battery SNAPHAT, package outline . . . . . | 20 |
| Figure 14. | SH – 4-pin SNAPHAT housing for 48mAh battery, package outline. . . . .                     | 21 |
| Figure 15. | SH – 4-pin SNAPHAT housing for 120mAh battery, package outline. . . . .                    | 22 |

# 1 Description

The M40SZ100Y/W NVRAM Controller is a self-contained device which converts a standard low-power SRAM into a non-volatile memory. A precision voltage reference and comparator monitors the  $V_{CC}$  input for an out-of-tolerance condition.

When an invalid  $V_{CC}$  condition occurs, the conditioned chip enable output ( $\overline{E}_{CON}$ ) is forced inactive to write protect the stored data in the SRAM. During a power failure, the SRAM is switched from the  $V_{CC}$  pin to the lithium cell within the SNAPHAT (or external battery for the 16-lead SOIC) to provide the energy required for data retention. On a subsequent power-up, the SRAM remains write protected until a valid power condition returns.

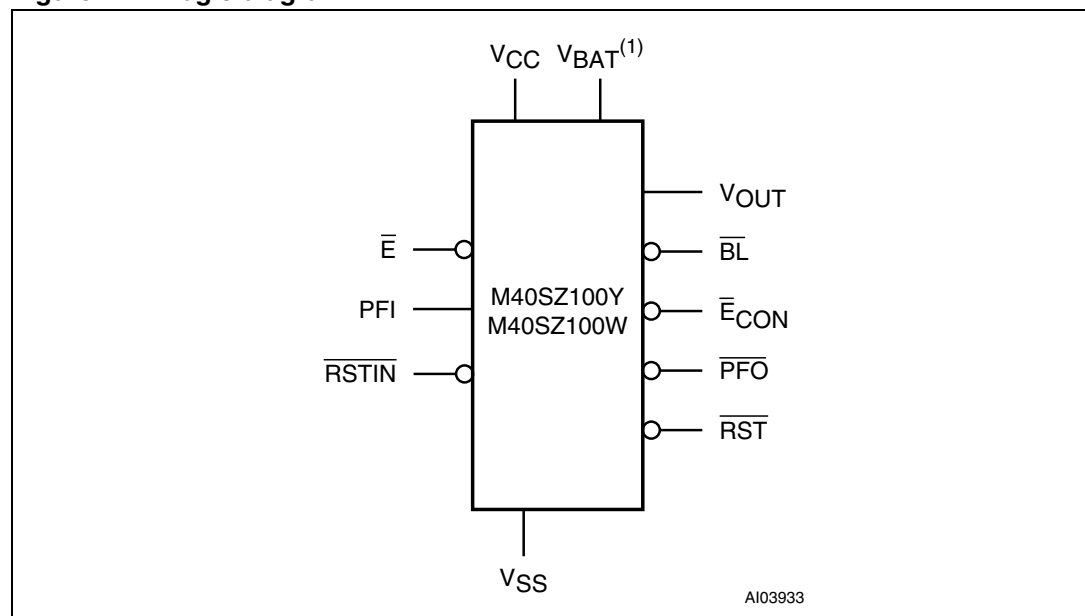
The 28-pin, 330 mil SOIC provides sockets with gold plated contacts for direct connection to a separate SNAPHAT<sup>®</sup> housing containing the battery. The SNAPHAT housing has gold plated pins which mate with the sockets, ensuring reliable connection. The housing is keyed to prevent improper insertion. This unique design allows the SNAPHAT battery package to be mounted on top of the SOIC package after the completion of the surface mount process which greatly reduces the board manufacturing process complexity of either directly soldering or inserting a battery into a soldered holder. Providing non-volatility becomes a “SNAP.” This feature is also available in the “topless” 16-pin SOIC package (MQ).

Insertion of the SNAPHAT housing after reflow prevents potential battery damage due to the high temperatures required for device surface-mounting. The SNAPHAT housing is also keyed to prevent reverse insertion.

The 28-pin SOIC and battery packages are shipped separately in plastic anti-static tubes or in tape & reel form. For the 28-lead SOIC, the battery/crystal package (e.g., SNAPHAT) part number is “M4ZXX-BR00SH” (see [Table 13 on page 23](#)).

**Caution:** Do not place the SNAPHAT battery top in conductive foam, as this will drain the lithium button-cell battery.

**Figure 1. Logic diagram**



1. For 16-pin SOIC package only.

**Table 1. Signal names**

|                      |                                 |
|----------------------|---------------------------------|
| $\overline{E}$       | Chip enable input               |
| $\overline{E}_{CON}$ | Conditioned chip enable output  |
| $\overline{RST}$     | Reset output (open drain)       |
| $\overline{RSTIN}$   | Reset input                     |
| $\overline{BL}$      | Battery low output (open drain) |
| $V_{OUT}$            | Supply voltage output           |
| $V_{CC}$             | Supply voltage                  |
| $V_{BAT}^{(1)}$      | Back-up supply voltage          |
| PFI                  | Power fail input                |
| $\overline{PFO}$     | Power fail output               |
| $V_{SS}$             | Ground                          |
| NC                   | Not connected internally        |

1. For SO16 only.

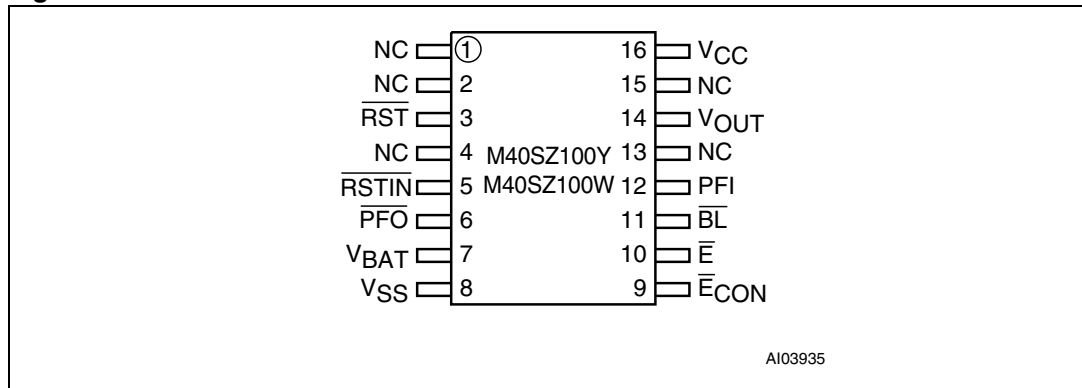
**Figure 2. SOIC16 connections**

Figure 3. SOIC28 connections

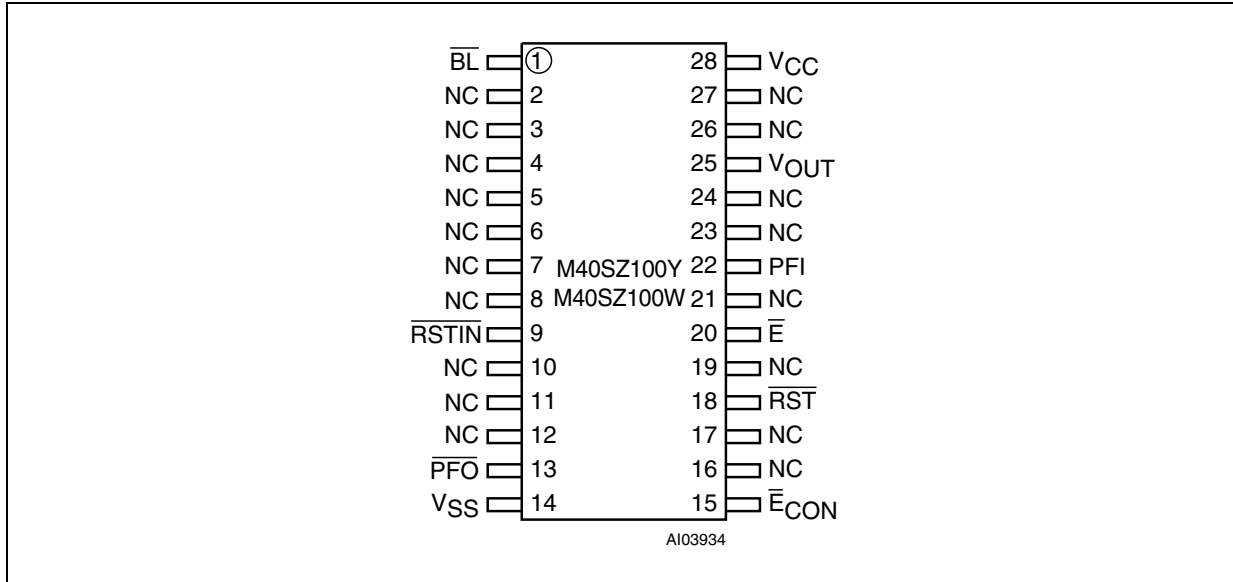
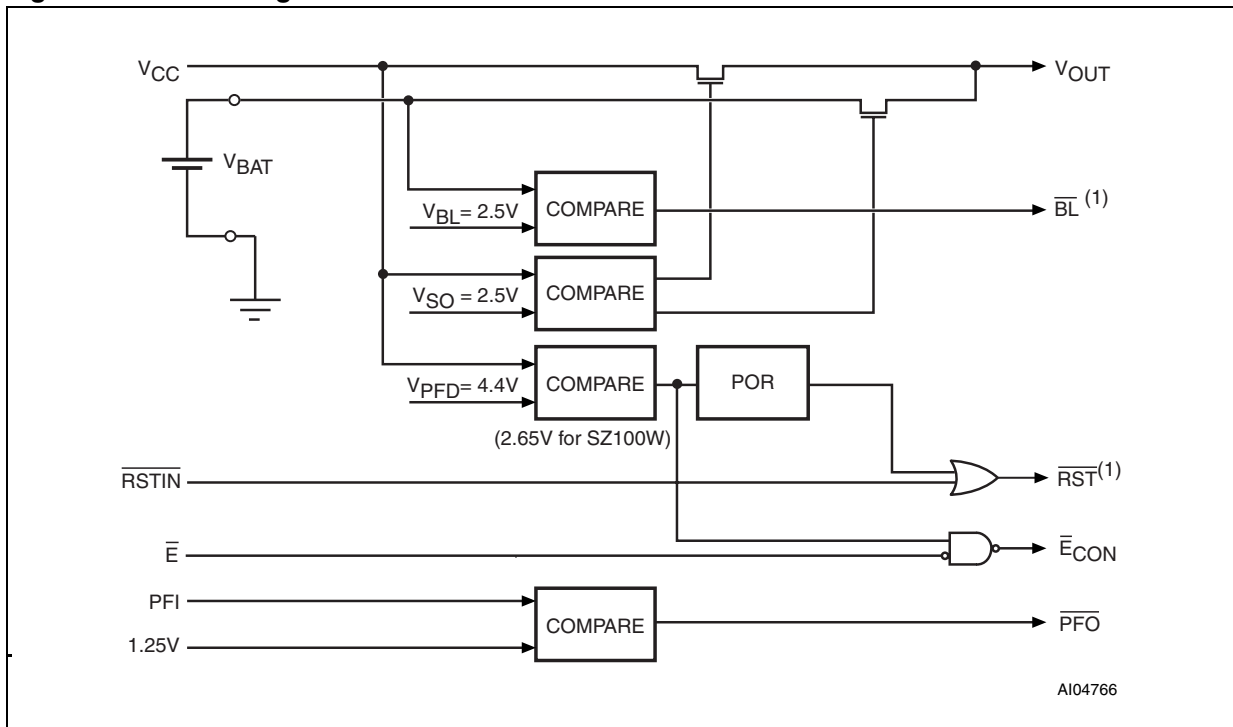
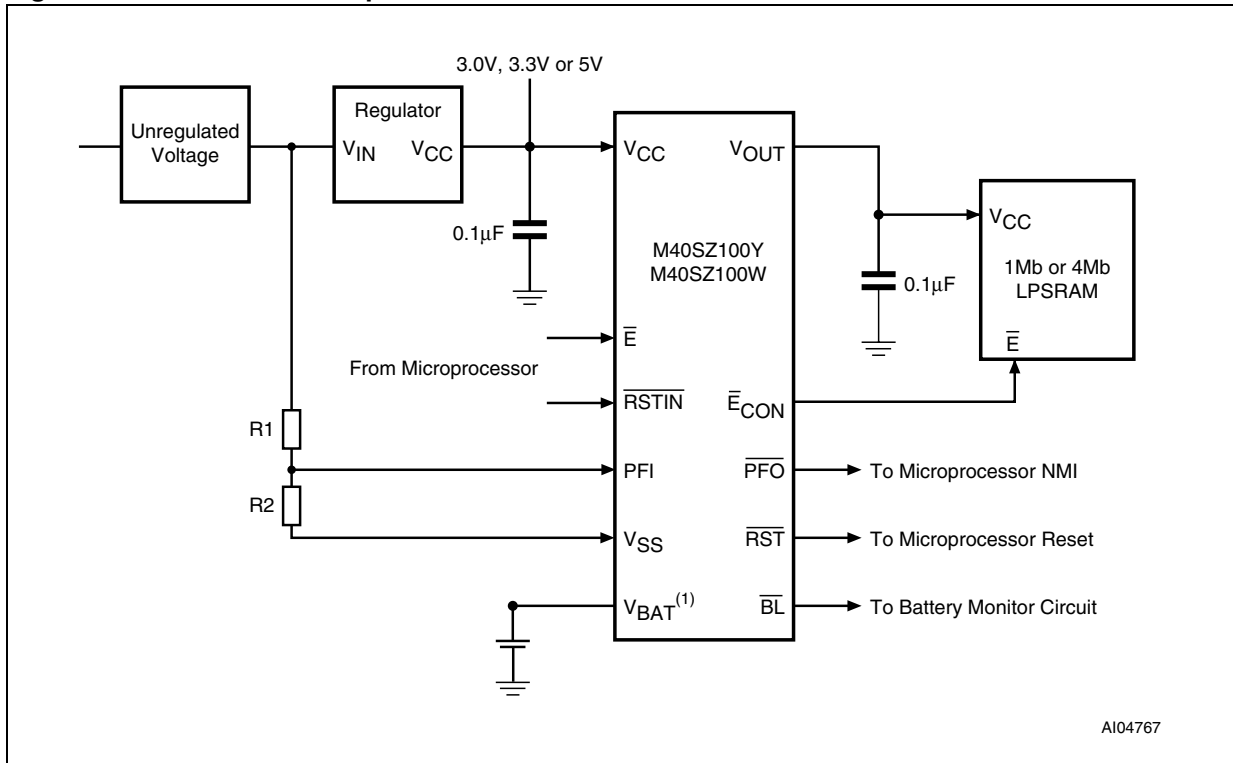


Figure 4. Block diagram



1. Open drain output

Figure 5. Hardware hookup



1. User supplied for the 16-pin package



## 2 Operation

The M40SZ100Y/W, as shown in [Figure 5 on page 8](#), can control one (two, if placed in parallel) standard low-power SRAM. This SRAM must be configured to have the chip enable input disable all other input signals. Most slow, low-power SRAMs are configured like this, however many fast SRAMs are not. During normal operating conditions, the conditioned chip enable ( $\overline{E}_{CON}$ ) output pin follows the chip enable ( $\overline{E}$ ) input pin with timing shown in [Table 2 on page 11](#). An internal switch connects  $V_{CC}$  to  $V_{OUT}$ . This switch has a voltage drop of less than 0.3V ( $I_{OUT1}$ ).

When  $V_{CC}$  degrades during a power failure,  $\overline{E}_{CON}$  is forced inactive independent of  $\overline{E}$ . In this situation, the SRAM is unconditionally write protected as  $V_{CC}$  falls below an out-of-tolerance threshold ( $V_{PFD}$ ). For the M40SZ100Y/W the power fail detection value associated with  $V_{PFD}$  is shown in [Table 7 on page 17](#).

If chip enable access is in progress during a power fail detection, that memory cycle continues to completion before the memory is write protected. If the memory cycle is not terminated within time  $t_{WPT}$ ,  $\overline{E}_{CON}$  is unconditionally driven high, write protecting the SRAM. A power failure during a WRITE cycle may corrupt data at the currently addressed location, but does not jeopardize the rest of the SRAM's contents. At voltages below  $V_{PFD}$  (min), the user can be assured the memory will be write protected within the Write Protect Time ( $t_{WPT}$ ) provided the  $V_{CC}$  fall time does not exceed  $t_F$  (see [Table 2 on page 11](#)).

As  $V_{CC}$  continues to degrade, the internal switch disconnects  $V_{CC}$  and connects the internal battery to  $V_{OUT}$ . This occurs at the switchover voltage ( $V_{SO}$ ). Below the  $V_{SO}$ , the battery provides a voltage  $V_{OHB}$  to the SRAM and can supply current  $I_{OUT2}$  (see [Table 7 on page 17](#)).

When  $V_{CC}$  rises above  $V_{SO}$ ,  $V_{OUT}$  is switched back to the supply voltage. Output  $\overline{E}_{CON}$  is held inactive for  $t_{CER}$  (120ms maximum) after the power supply has reached  $V_{PFD}$ , independent of the  $\overline{E}$  input, to allow for processor stabilization (see [Figure 7 on page 11](#)).

### 2.1 Data retention lifetime calculation

Most low power SRAMs on the market today can be used with the M40SZ100Y/W NVRAM Controller. There are, however some criteria which should be used in making the final choice of which SRAM to use. The SRAM must be designed in a way where the chip enable input disables all other inputs to the SRAM. This allows inputs to the M40SZ100Y/W and SRAMs to be “Don't care” once  $V_{CC}$  falls below  $V_{PFD}$ (min) (see [Figure 6 on page 10](#)). The SRAM should also guarantee data retention down to  $V_{CC} = 2.0V$ . The chip enable access time must be sufficient to meet the system needs with the chip enable propagation delays included.

If data retention lifetime is a critical parameter for the system, it is important to review the data retention current specifications for the particular SRAMs being evaluated. Most SRAMs specify a data retention current at 3.0V. Manufacturers generally specify a typical condition for room temperature along with a worst case condition (generally at elevated temperatures). The system level requirements will determine the choice of which value to use. The data retention current value of the SRAMs can then be added to the  $I_{CCDR}$  value of the M40SZ100Y/W to determine the total current requirements for data retention. The available battery capacity for the SNAPHAT<sup>®</sup> of your choice (see [Table 13 on page 23](#)) can then be divided by this current to determine the amount of data retention available.

**Caution:** Take care to avoid inadvertent discharge through  $V_{OUT}$  and  $\bar{E}_{CON}$  after battery has been attached.

For a further more detailed review of lifetime calculations, please see Application Note AN1012.

**Figure 6. Power down timing**

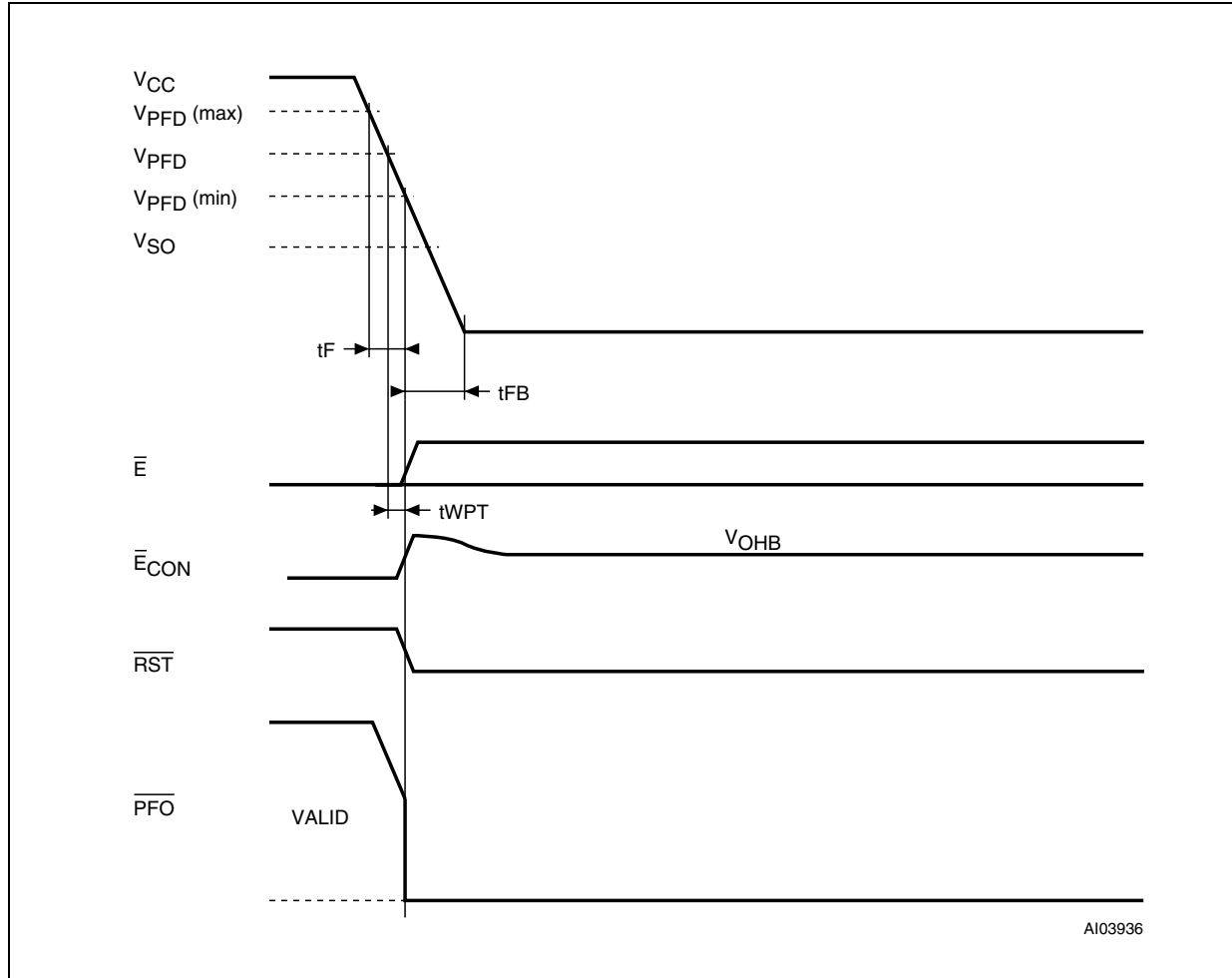


Figure 7. Power up timing

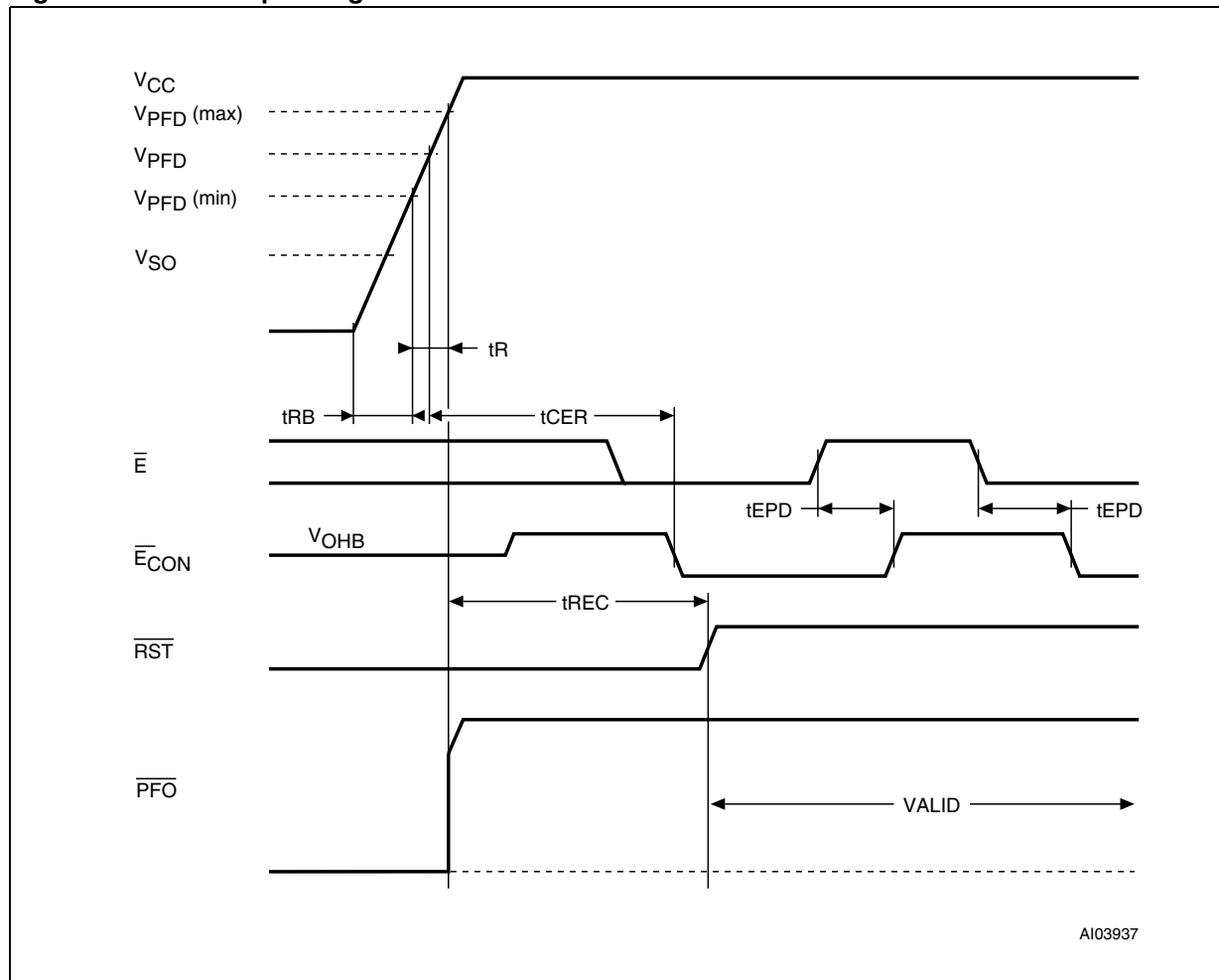


Table 2. Power down/up AC characteristics

| Symbol         | Parameter <sup>(1)</sup>  | Min       | Max | Unit          |
|----------------|---|-----------|-----|---------------|
| $t_F^{(2)}$    | $V_{PFD}(\text{max})$ to $V_{PFD}(\text{min})$ $V_{CC}$ fall time | 300       |     | $\mu\text{s}$ |
| $t_{FB}^{(3)}$ | $V_{PFD}(\text{min})$ to $V_{SS}$ $V_{CC}$ fall time              | 10        |     | $\mu\text{s}$ |
| $t_{PFD}$      | PFI to $\bar{PFO}$ propagation delay                              | 15        | 25  | $\mu\text{s}$ |
| $t_R$          | $V_{PFD}(\text{min})$ to $V_{PFD}(\text{max})$ $V_{CC}$ rise time | 10        |     | $\mu\text{s}$ |
| $t_{EPD}$      | Chip enable propagation delay (low or high)                       | M40SZ100Y | 10  | ns            |
|                |   | M40SZ100W | 15  | ns            |
| $t_{RB}$       | $V_{SS}$ to $V_{PFD}(\text{min})$ $V_{CC}$ rise time              | 1         |     | $\mu\text{s}$ |
| $t_{CER}$      | Chip enable recovery  | 40        | 120 | ms            |
| $t_{REC}$      | $V_{PFD}(\text{max})$ to $\bar{RST}$ high                         | 40        | 200 | ms            |
| $t_{WPT}$      | Write protect time  | 40        | 200 | $\mu\text{s}$ |

- Valid for ambient operating temperature:  $T_A = -40$  to  $85^\circ\text{C}$ ;  $V_{CC} = 2.7$  to  $3.6\text{V}$  or  $4.5$  to  $5.5\text{V}$ (except where noted).
- $V_{PFD}(\text{max})$  to  $V_{PFD}(\text{min})$  fall time of less than  $t_F$  may result in deselection/write protection not occurring until  $200 \mu\text{s}$  after  $V_{CC}$  passes  $V_{PFD}(\text{min})$ .
- $V_{PFD}(\text{min})$  to  $V_{SS}$  fall time of less than  $t_{FB}$  may cause corruption of RAM data.

## 2.2 Power-on reset output

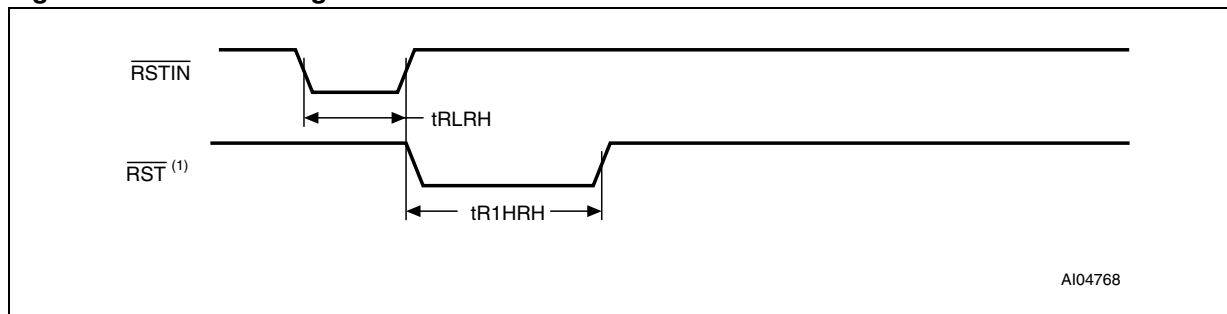
All microprocessors have a reset input which forces them to a known state when starting. The M40SZ100Y/W has a reset output ( $\overline{RST}$ ) pin which is guaranteed to be low by  $V_{PFD}$  (see [Table 7 on page 17](#)). This signal is an open drain configuration. An appropriate pull-up resistor to  $V_{CC}$  should be chosen to control the rise time. This signal will be valid for all voltage conditions, even when  $V_{CC}$  equals  $V_{SS}$  (with valid battery voltage).

Once  $V_{CC}$  exceeds the power failure detect voltage  $V_{PFD}$ , an internal timer keeps  $\overline{RST}$  low for  $t_{REC}$  to allow the power supply to stabilize.

## 2.3 Reset input ( $\overline{RSTIN}$ )

The M40SZ100Y/W provides one independent input which can generate an output reset. The duration and function of this reset is identical to a reset generated by a power cycle. [Table 3](#) and [Figure 8](#) illustrate the AC reset characteristics of this function. Pulses shorter than  $t_{RLRH}$  will not generate a reset condition.  $\overline{RSTIN}$  is internally pulled up to  $V_{CC}$  through a 100k $\Omega$  resistor.

Figure 8.  $\overline{RSTIN}$  timing waveform



1. With pull-up resistor

Table 3. Reset AC characteristics

| Symbol            | Parameter <sup>(1)</sup>            | Min | Max | Unit |
|-------------------|-------------------------------------|-----|-----|------|
| $t_{RLRH}^{(2)}$  | RSTIN low to RSTIN high             | 200 |     | ns   |
| $t_{R1HRH}^{(3)}$ | RSTIN high to $\overline{RST}$ high | 40  | 200 | ms   |

- Valid for ambient operating temperature:  $T_A = -40$  to  $85^\circ\text{C}$ ;  $V_{CC} = 2.7$  to  $3.6\text{V}$  or  $4.5$  to  $5.5\text{V}$  (except where noted).
- Pulse width less than 50ns will result in no RESET (for noise immunity).
- $C_L = 5\text{pF}$  (see [Figure 10 on page 16](#)).

## 2.4 Battery low pin

The M40SZ100Y/W automatically performs battery voltage monitoring upon power-up, and at factory-programmed time intervals of at least 24 hours. The Battery Low ( $\overline{BL}$ ) pin will be asserted if the battery voltage is found to be less than approximately 2.5V. The  $\overline{BL}$  pin will remain asserted until completion of battery replacement and subsequent battery low monitoring tests, either during the next power-up sequence or the next scheduled 24-hour interval.

If a battery low is generated during a power-up sequence, this indicates that the battery is below 2.5V and may not be able to maintain data integrity in the SRAM. Data should be considered suspect, and verified as correct. A fresh battery should be installed.

If a battery low indication is generated during the 24-hour interval check, this indicates that the battery is near end of life. However, data is not compromised due to the fact that a nominal  $V_{CC}$  is supplied. In order to insure data integrity during subsequent periods of battery back-up mode, the battery should be replaced.

The M40SZ100Y/W only monitors the battery when a nominal  $V_{CC}$  is applied to the device. Thus applications which require extensive durations in the battery back-up mode should be powered-up periodically (at least once every few months) in order for this technique to be beneficial. Additionally, if a battery low is indicated, data integrity should be verified upon power-up via a checksum or other technique. The BL pin is an open drain output and an appropriate pull-up resistor to  $V_{CC}$  should be chosen to control the rise time.

## 2.5 Power-fail input/output

The Power-Fail Input (PFI) is compared to an internal reference voltage (independent from the  $V_{PFD}$  comparator). If PFI is less than the power-fail threshold ( $V_{PFI}$ ), the Power-Fail Output (PFO) will go low. This function is intended for use as an under-voltage detector to signal a failing power supply. Typically PFI is connected through an external voltage divider (see [Figure 5 on page 8](#)) to either the unregulated DC input (if it is available) or the regulated output of the  $V_{CC}$  regulator. The voltage divider can be set up such that the voltage at PFI falls below  $V_{PFI}$  several milliseconds before the regulated  $V_{CC}$  input to the M40SZ100Y/W or the microprocessor drops below the minimum operating voltage.

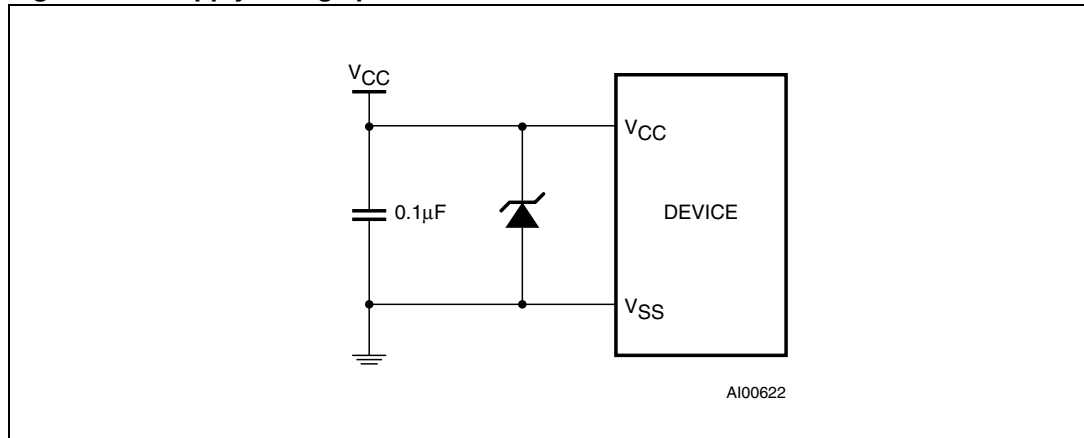
During battery back-up, the power-fail comparator turns off and  $\overline{PFO}$  goes (or remains) low. This occurs after  $V_{CC}$  drops below  $V_{PFD}(\min)$ . When power returns,  $\overline{PFO}$  is forced high, irrespective of  $V_{PFI}$  for the write protect time ( $t_{REC}$ ), which is the time from  $V_{PFD}(\max)$  until the inputs are recognized. At the end of this time, the power-fail comparator is enabled and  $\overline{PFO}$  follows PFI. If the comparator is unused, PFI should be connected to  $V_{SS}$  and  $\overline{PFO}$  left unconnected.

## 2.6 $V_{CC}$ noise and negative going transients

$V_{CC}$  transients, including those produced by output switching, can produce voltage fluctuations, resulting in spikes on the  $V_{CC}$  bus. These transients can be reduced if capacitors are used to store energy which stabilizes the  $V_{CC}$  bus. The energy stored in the bypass capacitors will be released as low going spikes are generated or energy will be absorbed when overshoots occur. A ceramic bypass capacitor value of 0.1 $\mu$ F (as shown in [Figure 9 on page 14](#)) is recommended in order to provide the needed filtering.

In addition to transients that are caused by normal SRAM operation, power cycling can generate negative voltage spikes on  $V_{CC}$  that drive it to values below  $V_{SS}$  by as much as one volt. These negative spikes can cause data corruption in the SRAM while in battery backup mode. To protect from these voltage spikes, STMicroelectronics recommends connecting a schottky diode from  $V_{CC}$  to  $V_{SS}$  (cathode connected to  $V_{CC}$ , anode to  $V_{SS}$ ). Schottky diode 1N5817 is recommended for through hole and MBRS120T3 is recommended for surface mount.

Figure 9. Supply voltage protection



### 3 Maximum ratings

Stressing the device above the rating listed in the “Absolute Maximum Ratings” table may cause permanent damage to the device. These are stress ratings only and operation of the device at these or any other conditions above those indicated in the Operating sections of this specification is not implied. Exposure to Absolute Maximum Rating conditions for extended periods may affect device reliability. Refer also to the STMicroelectronics SURE Program and other relevant quality documents.

**Table 4. Absolute maximum ratings**

| Symbol                          | Parameter                                 | Value                        | Unit        |    |
|---------------------------------|---|------------------------------|-------------|----|
| T <sub>STG</sub>                | Storage temperature (V <sub>CC</sub> off) | SNAPHAT                      | -40 to 85   | °C |
|                                 |   | SOIC                         | -55 to 125  | °C |
| T <sub>SLD</sub> <sup>(1)</sup> | Lead solder temperature for 10 seconds    | 260                          | °C          |    |
| V <sub>IO</sub>                 | Input or output voltages                  | -0.3 to V <sub>CC</sub> +0.3 | V           |    |
| V <sub>CC</sub>                 | Supply voltage                            | M40SZ100Y                    | -0.3 to 7   | V  |
|                                 |   | M40SZ100W                    | -0.3 to 4.6 | V  |
| I <sub>O</sub>                  | Output current                            | 20                           | mA          |    |
| P <sub>D</sub>                  | Power dissipation                         | 1                            | W           |    |

1. For SO package, Lead-free (Pb-free) lead finish: Reflow at peak temperature of 260°C (total thermal budget not to exceed 245°C for greater than 30 seconds).

**Caution:** Negative undershoots below -0.3V are not allowed on any pin while in the battery back-up mode.

**Caution:** Do NOT wave solder SOIC to avoid damaging SNAPHAT sockets.

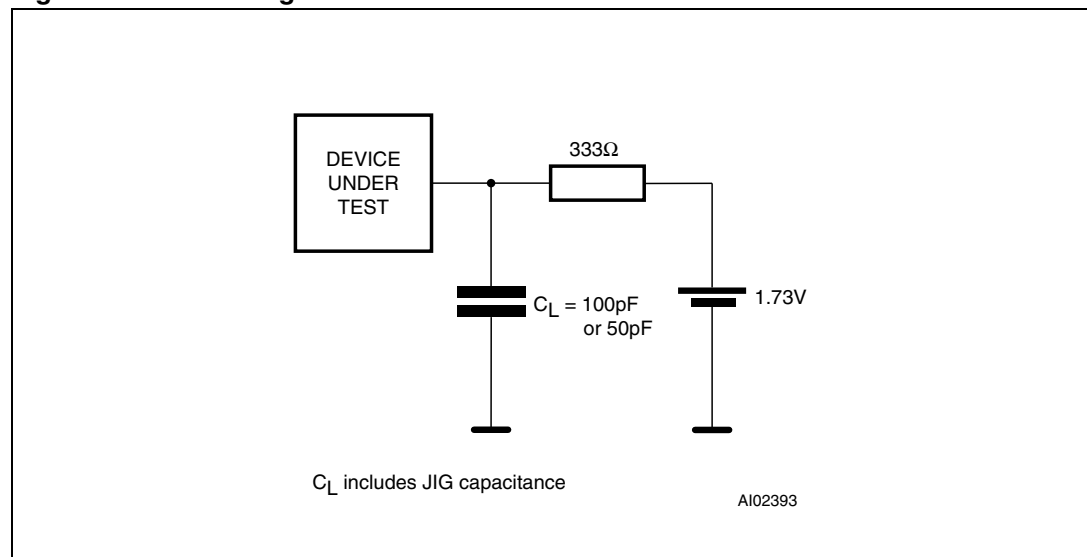
## 4 DC and AC parameters

This section summarizes the operating and measurement conditions, as well as the DC and AC characteristics of the device. The parameters in the following DC and AC Characteristic tables are derived from tests performed under the Measurement Conditions listed in [Table 5: DC and AC measurement conditions](#). Designers should check that the operating conditions in their projects match the measurement conditions when using the quoted parameters.

**Table 5. DC and AC measurement conditions**

| Parameter                             | M40SZ100Y                 | M40SZ100W                 |
|---------------------------------------|---------------------------|---------------------------|
| V <sub>CC</sub> supply voltage        | 4.5 to 5.5V               | 2.7 to 3.6V               |
| Ambient operating temperature         | -40 to 85°C               | -40 to 85°C               |
| Load capacitance (C <sub>L</sub> )    | 100pF                     | 50pF                      |
| Input rise and fall times             | ≤ 5ns                     | ≤ 5ns                     |
| Input pulse voltages                  | 0.2 to 0.8V <sub>CC</sub> | 0.2 to 0.8V <sub>CC</sub> |
| Input and output timing ref. voltages | 0.3 to 0.7V <sub>CC</sub> | 0.3 to 0.7V <sub>CC</sub> |

**Figure 10. AC testing load circuit**



*Note:* C<sub>L</sub> = 100pF for M40SZ100Y and 50pF for M40SZ100W.



Figure 11. AC testing input/output waveforms

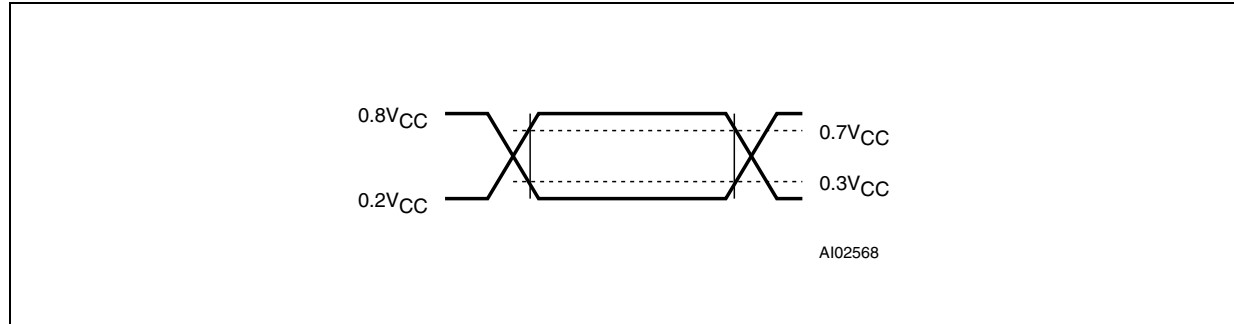


Table 6. Capacitance

| Symbol          | Parameter <sup>(1)(2)</sup> | Min | Max | Unit |
|-----------------|-----------------------------|-----|-----|------|
| $C_{IN}$        | Input capacitance           |     | 7   | pF   |
| $C_{OUT}^{(3)}$ | Output capacitance          |     | 10  | pF   |

1. Sampled only, not 100% tested.
2. At 25°C, f = 1MHz.
3. Outputs deselected.

Table 7. DC characteristics

| Sym              | Parameter                                      | Test condition <sup>(1)</sup> | M40SZ100Y   |     |                    | M40SZ100W   |     |                    | Unit    |
|------------------|--|-------------------------------|-------------|-----|--------------------|-------------|-----|--------------------|---------|
|                  |  |                               | Min         | Typ | Max                | Min         | Typ | Max                |         |
| $I_{CC}$         | Supply current                                 | Outputs open                  |             |     | 1                  |             |     | 0.5                | mA      |
| $I_{CCDR}$       | Data retention mode current <sup>(2)</sup>     |                               |             | 50  | 200                |             | 50  | 200                | nA      |
| $I_{LI}^{(3)}$   | Input leakage current                          | $0V \leq V_{IN} \leq V_{CC}$  |             |     | $\pm 1$            |             |     | $\pm 1$            | $\mu A$ |
|                  | Input leakage current (PFI)                    |                               | -25         | 2   | 25                 | -25         | 2   | 25                 | nA      |
| $I_{LO}^{(4)}$   | Output leakage current                         | $0V \leq V_{OUT} \leq V_{CC}$ |             |     | $\pm 1$            |             |     | $\pm 1$            | $\mu A$ |
| $I_{OUT1}^{(5)}$ | $V_{OUT}$ current (active)                     | $V_{OUT} > V_{CC} - 0.3$      |             |     | 175                |             |     | 100                | mA      |
| $I_{OUT2}$       | $V_{OUT}$ current (battery back-up)            | $V_{OUT} > V_{BAT} - 0.3$     |             |     | 100                |             |     | 100                | $\mu A$ |
| $V_{BAT}$        | Battery voltage                                |                               | 2.5         | 3.0 | 3.5 <sup>(6)</sup> | 2.5         | 3.0 | 3.5 <sup>(6)</sup> | V       |
| $V_{IH}$         | Input high voltage                             |                               | $0.7V_{CC}$ |     | $V_{CC} + 0.3$     | $0.7V_{CC}$ |     | $V_{CC} + 0.3$     | V       |
| $V_{IL}$         | Input low voltage                              |                               | -0.3        |     | $0.3V_{CC}$        | -0.3        |     | $0.3V_{CC}$        | V       |
| $V_{OH}$         | Output high voltage <sup>(7)</sup>             | $I_{OH} = -1.0mA$             | 2.4         |     |                    | 2.4         |     |                    | V       |
| $V_{OHB}$        | $V_{OH}$ battery back-up <sup>(8)</sup>        | $I_{OUT2} = -1.0\mu A$        | 2.5         | 2.9 | 3.5                | 2.5         | 2.9 | 3.5                | V       |
| $V_{OL}$         | Output low voltage                             | $I_{OL} = 3.0mA$              |             |     | 0.4                |             |     | 0.4                | V       |
|                  | Output low voltage (open drain) <sup>(9)</sup> | $I_{OL} = 10mA$               |             |     | 0.4                |             |     | 0.4                | V       |

Table 7. DC characteristics (continued)

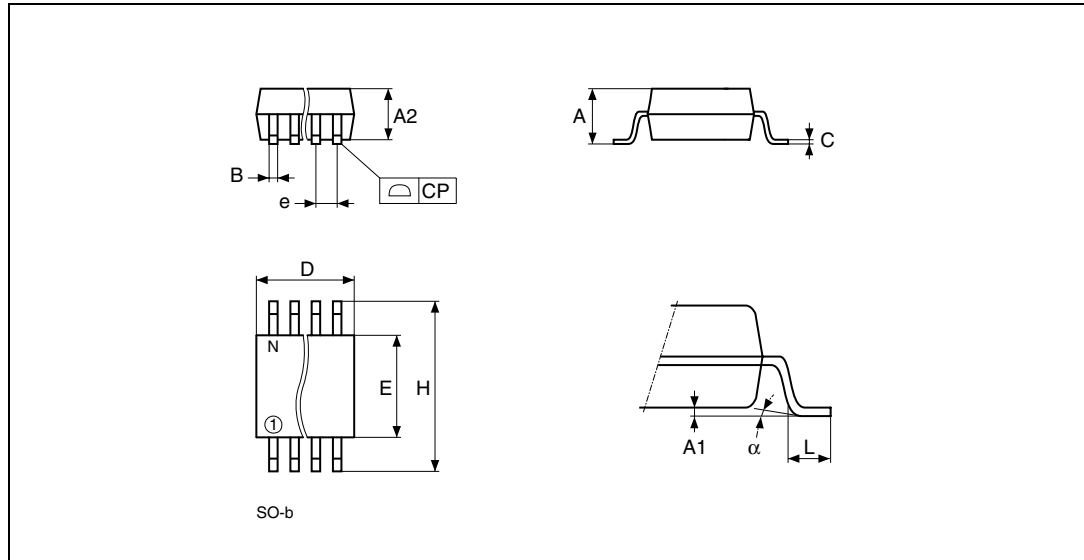
| Sym              | Parameter                          | Test condition <sup>(1)</sup>                      | M40SZ100Y |           |       | M40SZ100W |           |       | Unit |
|------------------|------------------------------------|--|-----------|-----------|-------|-----------|-----------|-------|------|
|                  |                                    |  | Min       | Typ       | Max   | Min       | Typ       | Max   |      |
| V <sub>PFD</sub> | Power-fail deselect voltage        |  | 4.20      | 4.4<br>0  | 4.50  | 2.55      | 2.60      | 2.70  | V    |
| V <sub>PFI</sub> | PFI input threshold                | V <sub>CC</sub> = 5V(Y)<br>V <sub>CC</sub> = 3V(V) | 1.225     | 1.2<br>50 | 1.275 | 1.225     | 1.25<br>0 | 1.275 | V    |
|                  | PFI hysteresis                     | PFI rising   |           | 20        | 70    |           | 20        | 70    | mV   |
| V <sub>SO</sub>  | Battery back-up switchover voltage |  |           | 2.5       |       |           | 2.5       |       | V    |

- Valid for ambient operating temperature: T<sub>A</sub> = -40 to 85°C; V<sub>CC</sub> = 2.7 to 3.6V or 4.5 to 5.5V(except where noted).
- Measured with V<sub>OUT</sub> and  $\bar{E}_{CON}$  open.
- $\bar{RSTIN}$  internally pulled-up to V<sub>CC</sub> through 100kΩ resistor.
- Outputs deselected.
- External SRAM must match SUPERVISOR chip V<sub>CC</sub> specification (3V or 5V).
- For rechargeable back-up, V<sub>BAT</sub> (max) may be considered V<sub>CC</sub> - 0.5V.
- For  $\bar{PFO}$  pin (CMOS).
- Chip enable output ( $\bar{E}_{CON}$ ) can only sustain CMOS leakage currents in the battery back-up mode. Higher leakage currents will reduce battery life.
- For  $\bar{RST}$  &  $\bar{BL}$  pins (open drain).

## 5 Package mechanical data

In order to meet environmental requirements, ST offers these devices in ECOPACK<sup>®</sup> packages. These packages have a lead-free second level interconnect. The category of second Level Interconnect is marked on the package and on the inner box label, in compliance with JEDEC Standard JESD97. The maximum ratings related to soldering conditions are also marked on the inner box label. ECOPACK is an ST trademark. ECOPACK specifications are available at: [www.st.com](http://www.st.com).

**Figure 12. SO16 – 16-lead plastic small package outline**

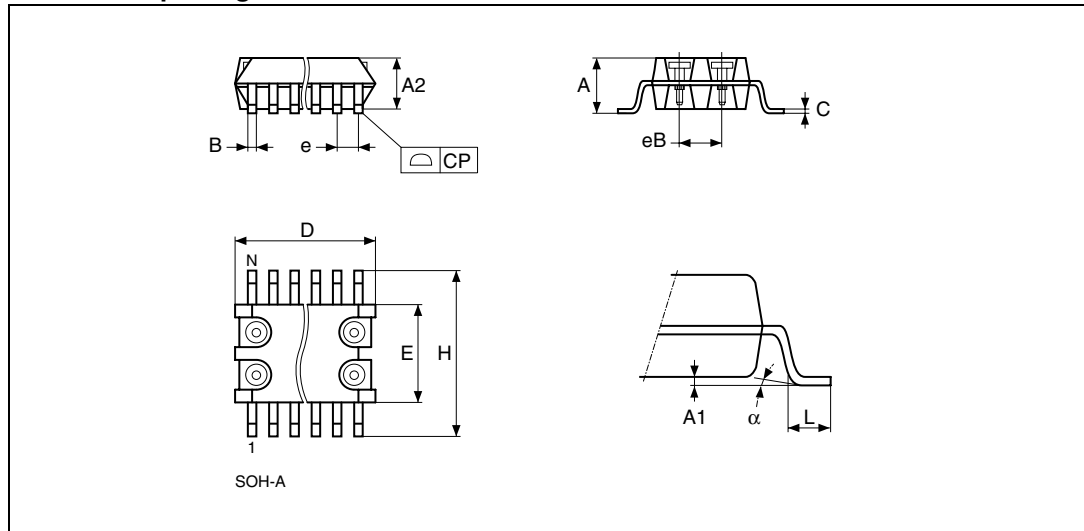


Note: Drawing is not to scale.

**Table 8. SO16 – 16-lead plastic small plastic package mechanical data**

| Symbol | mm   |      |       | inches |       |       |
|--------|------|------|-------|--------|-------|-------|
|        | Typ. | Min. | Max.  | Typ.   | Min.  | Max.  |
| A      |      |      | 1.75  |        |       | 0.069 |
| A1     |      | 0.10 | 0.25  |        | 0.004 | 0.010 |
| A2     |      |      | 1.60  |        |       | 0.063 |
| B      |      | 0.35 | 0.46  |        | 0.014 | 0.018 |
| C      |      | 0.19 | 0.25  |        | 0.007 | 0.010 |
| D      |      | 9.80 | 10.00 |        | 0.386 | 0.394 |
| E      |      | 3.80 | 4.00  |        | 0.150 | 0.158 |
| e      | 1.27 | –    | –     | 0.050  | –     | –     |
| H      |      | 5.80 | 6.20  |        | 0.228 | 0.244 |
| L      |      | 0.40 | 1.27  |        | 0.016 | 0.050 |
| a      |      | 0°   | 8°    |        | 0°    | 8°    |
| N      | 16   |      |       | 16     |       |       |
| CP     |      |      | 0.10  |        |       | 0.004 |

**Figure 13. SOH28 – 28-lead plastic small outline, 4-socket battery SNAPHAT, package outline**

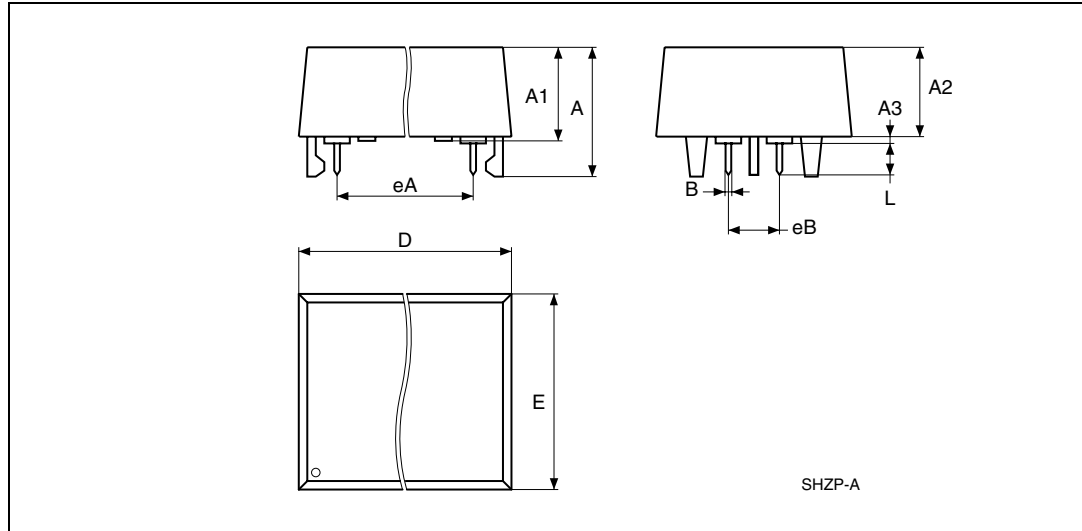


Note: Drawing is not to scale.

**Table 9. SOH28 – 28-lead plastic small outline, battery SNAPHAT, pack. mech. data**

| Symbol | mm   |       |       | inches |       |       |
|--------|------|-------|-------|--------|-------|-------|
|        | Typ  | Min   | Max   | Typ    | Min   | Max   |
| A      |      |       | 3.05  |        |       | 0.120 |
| A1     |      | 0.05  | 0.36  |        | 0.002 | 0.014 |
| A2     |      | 2.34  | 2.69  |        | 0.092 | 0.106 |
| B      |      | 0.36  | 0.51  |        | 0.014 | 0.020 |
| C      |      | 0.15  | 0.32  |        | 0.006 | 0.012 |
| D      |      | 17.71 | 18.49 |        | 0.697 | 0.728 |
| E      |      | 8.23  | 8.89  |        | 0.324 | 0.350 |
| e      | 1.27 | –     | –     | 0.050  | –     | –     |
| eB     |      | 3.20  | 3.61  |        | 0.126 | 0.142 |
| H      |      | 11.51 | 12.70 |        | 0.453 | 0.500 |
| L      |      | 0.41  | 1.27  |        | 0.016 | 0.050 |
| a      |      | 0°    | 8°    |        | 0°    | 8°    |
| N      |      | 28    |       |        | 28    |       |
| CP     |      |       | 0.10  |        |       | 0.004 |

Figure 14. SH – 4-pin SNAPHAT housing for 48mAh battery, package outline

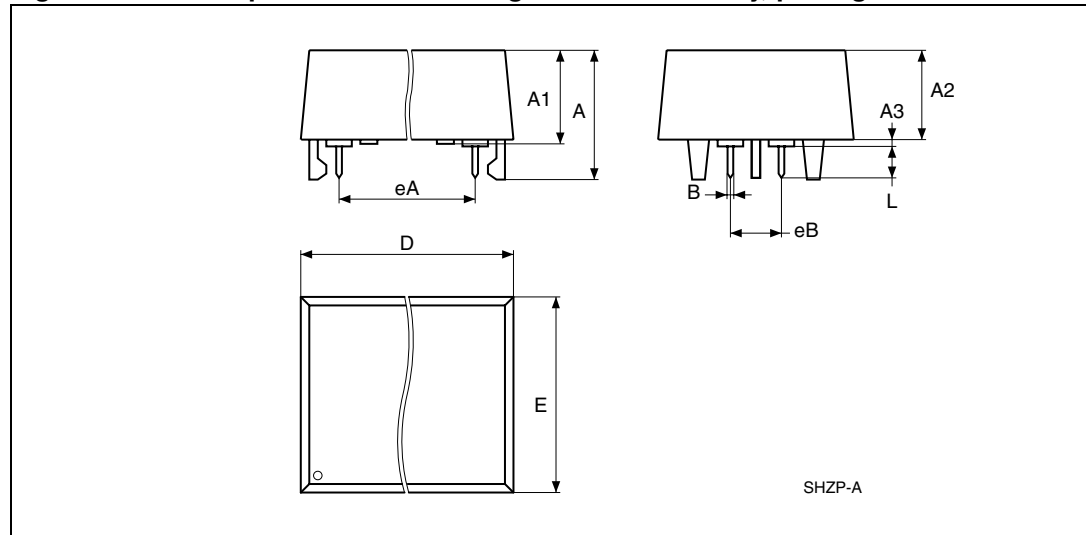


Note: Drawing is not to scale.

Table 10. SH – 4-pin SNAPHAT housing for 48mAh battery, package mechanical data

| Symbol | mm  |       |       | inches |       |       |
|--------|-----|-------|-------|--------|-------|-------|
|        | Typ | Min   | Max   | Typ    | Min   | Max   |
| A      |     |       | 9.78  |        |       | 0.385 |
| A1     |     | 6.73  | 7.24  |        | 0.265 | 0.285 |
| A2     |     | 6.48  | 6.99  |        | 0.255 | 0.275 |
| A3     |     |       | 0.38  |        |       | 0.015 |
| B      |     | 0.46  | 0.56  |        | 0.018 | 0.022 |
| D      |     | 21.21 | 21.84 |        | 0.835 | 0.860 |
| E      |     | 14.22 | 14.99 |        | 0.560 | 0.590 |
| eA     |     | 15.55 | 15.95 |        | 0.612 | 0.628 |
| eB     |     | 3.20  | 3.61  |        | 0.126 | 0.142 |
| L      |     | 2.03  | 2.29  |        | 0.080 | 0.090 |

Figure 15. SH – 4-pin SNAPHAT housing for 120mAh battery, package outline



Note: Drawing is not to scale.

Table 11. SH – 4-pin SNAPHAT housing for 120mAh battery, package mechanical data

| Symbol | mm  |       |       | inches |       |       |
|--------|-----|-------|-------|--------|-------|-------|
|        | Typ | Min   | Max   | Typ    | Min   | Max   |
| A      |     |       | 10.54 |        |       | 0.415 |
| A1     |     | 8.00  | 8.51  |        | 0.315 | 0.335 |
| A2     |     | 7.24  | 8.00  |        | 0.285 | 0.315 |
| A3     |     |       | 0.38  |        |       | 0.015 |
| B      |     | 0.46  | 0.56  |        | 0.018 | 0.022 |
| D      |     | 21.21 | 21.84 |        | 0.835 | 0.860 |
| E      |     | 17.27 | 18.03 |        | 0.680 | 0.710 |
| eA     |     | 15.55 | 15.95 |        | 0.612 | 0.628 |
| eB     |     | 3.20  | 3.61  |        | 0.126 | 0.142 |
| L      |     | 2.03  | 2.29  |        | 0.080 | 0.090 |

## 6 Part numbering

**Table 12. Ordering information scheme**

|   |       |      |    |   |   |
|---|-------|------|----|---|---|
| Example:  | M40SZ | 100Y | MQ | 6 | E |
| <b>Device type</b>  |       |      |    |   |   |
| M40SZ   |       |      |    |   |   |
| <b>Supply voltage and write protect voltage</b>             |       |      |    |   |   |
| 100Y = $V_{CC} = 4.5$ to $5.5V$ ; $V_{PFD} = 4.2$ to $4.5V$ |       |      |    |   |   |
| 100W = $V_{CC} = 2.7$ to $3.6V$ ; $V_{PFD} = 2.6$ to $2.7V$ |       |      |    |   |   |
| <b>Package</b>  |       |      |    |   |   |
| MQ = SO16   |       |      |    |   |   |
| MH <sup>(1)(2)</sup> = SOH28                                |       |      |    |   |   |
| <b>Temperature range</b>                                    |       |      |    |   |   |
| 6 = $-40$ to $85^{\circ}C$                                  |       |      |    |   |   |
| <b>Shipping method</b>                                      |       |      |    |   |   |
| E = Lead-free ECOPACK <sup>®</sup> package, tubes           |       |      |    |   |   |
| F = Lead-free ECOPACK <sup>®</sup> package, tape & reel     |       |      |    |   |   |

1. The SOIC package (SOH28) requires the battery package (SNAPHAT<sup>®</sup>) which is ordered separately under the part number "M4ZXX-BR00SHX" in plastic tube or "M4ZXX-BR00SHXTR" in tape & reel form.
2. Contact local sales office for availability

**Caution:** Do not place the SNAPHAT battery package "M4Zxx-BR00SH" in conductive foam as it will drain the lithium button-cell battery.

For a list of available options (e.g., speed, package) or for further information on any aspect of this device, please contact the ST sales office nearest to you.

**Table 13. SNAPHAT<sup>®</sup> battery table**

| Part number  | Description                        | Package |
|--------------|------------------------------------|---------|
| M4Z28-BR00SH | SNAPHAT housing for 48mAh battery  | SH      |
| M4Z32-BR00SH | SNAPHAT housing for 120mAh battery | SH      |

## 7 Revision history

**Table 14. Document revision history**

| Date        | Revision | Changes   |
|-------------|----------|---|
| Dec-2001    | 1.0      | First Issue   |
| 13-May-2002 | 1.1      | Modify reflow time and temperature footnote ( <a href="#">Table 4</a> )   |
| 01-Aug-2002 | 1.2      | Add marketing status (cover page; <a href="#">Table 12</a> )  |
| 15-Sep-2003 | 1.3      | Remove reference to M68xxx (obsolete) part ( <a href="#">Figure 5</a> ); update disclaimer  |
| 20-Nov-2007 | 2        | Reformatted document; added lead-free second level interconnect information to cover page and <a href="#">Section 5: Package mechanical data</a> ; updated <a href="#">Table 4</a> and <a href="#">12</a> . |



**Please Read Carefully:**

Information in this document is provided solely in connection with ST products. STMicroelectronics NV and its subsidiaries ("ST") reserve the right to make changes, corrections, modifications or improvements, to this document, and the products and services described herein at any time, without notice.

All ST products are sold pursuant to ST's terms and conditions of sale.

Purchasers are solely responsible for the choice, selection and use of the ST products and services described herein, and ST assumes no liability whatsoever relating to the choice, selection or use of the ST products and services described herein.

No license, express or implied, by estoppel or otherwise, to any intellectual property rights is granted under this document. If any part of this document refers to any third party products or services it shall not be deemed a license grant by ST for the use of such third party products or services, or any intellectual property contained therein or considered as a warranty covering the use in any manner whatsoever of such third party products or services or any intellectual property contained therein.

**UNLESS OTHERWISE SET FORTH IN ST'S TERMS AND CONDITIONS OF SALE ST DISCLAIMS ANY EXPRESS OR IMPLIED WARRANTY WITH RESPECT TO THE USE AND/OR SALE OF ST PRODUCTS INCLUDING WITHOUT LIMITATION IMPLIED WARRANTIES OF MERCHANTABILITY, FITNESS FOR A PARTICULAR PURPOSE (AND THEIR EQUIVALENTS UNDER THE LAWS OF ANY JURISDICTION), OR INFRINGEMENT OF ANY PATENT, COPYRIGHT OR OTHER INTELLECTUAL PROPERTY RIGHT.**

**UNLESS EXPRESSLY APPROVED IN WRITING BY AN AUTHORIZED ST REPRESENTATIVE, ST PRODUCTS ARE NOT RECOMMENDED, AUTHORIZED OR WARRANTED FOR USE IN MILITARY, AIR CRAFT, SPACE, LIFE SAVING, OR LIFE SUSTAINING APPLICATIONS, NOR IN PRODUCTS OR SYSTEMS WHERE FAILURE OR MALFUNCTION MAY RESULT IN PERSONAL INJURY, DEATH, OR SEVERE PROPERTY OR ENVIRONMENTAL DAMAGE. ST PRODUCTS WHICH ARE NOT SPECIFIED AS "AUTOMOTIVE GRADE" MAY ONLY BE USED IN AUTOMOTIVE APPLICATIONS AT USER'S OWN RISK.**

Resale of ST products with provisions different from the statements and/or technical features set forth in this document shall immediately void any warranty granted by ST for the ST product or service described herein and shall not create or extend in any manner whatsoever, any liability of ST.

ST and the ST logo are trademarks or registered trademarks of ST in various countries.

Information in this document supersedes and replaces all information previously supplied.

The ST logo is a registered trademark of STMicroelectronics. All other names are the property of their respective owners.

© 2007 STMicroelectronics - All rights reserved

STMicroelectronics group of companies

Australia - Belgium - Brazil - Canada - China - Czech Republic - Finland - France - Germany - Hong Kong - India - Israel - Italy - Japan - Malaysia - Malta - Morocco - Singapore - Spain - Sweden - Switzerland - United Kingdom - United States of America

[www.st.com](http://www.st.com)