

# Advance Information W27LE520



## 64K × 8 ELECTRICALLY ERASABLE EPROM

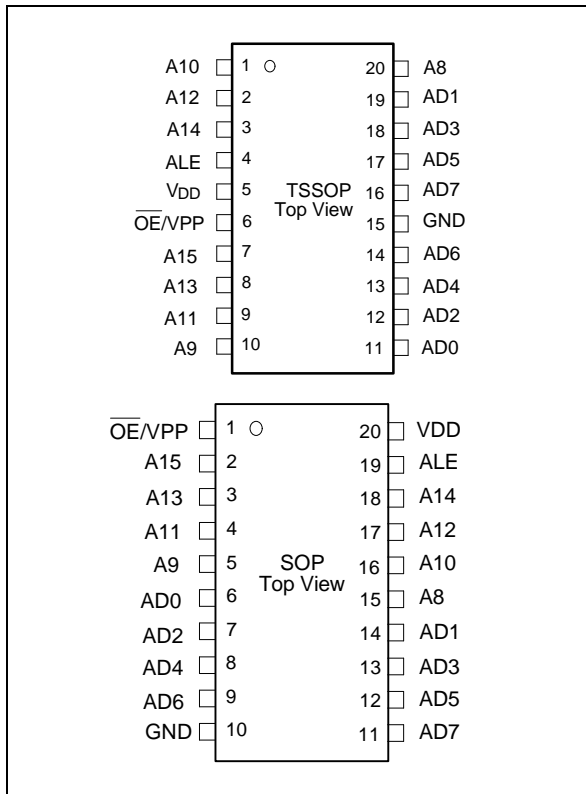
### GENERAL DESCRIPTION

The W27LE520 is a high speed, low power Electrically Erasable and Programmable Read Only Memory organized as 65,536 × 8 bits. It includes latches for the lower 8 address lines to multiplex with the 8 data lines. To cooperate with the MCU, this device could save the external TTL component, also cost and space. It requires only one supply in the range of 3.0V to 3.6V or 4.5V to 5.5V in normal read mode. The W27LE520 provides an electrical chip erase function. It will be a great convenient when you need to change/update the contents in the device.

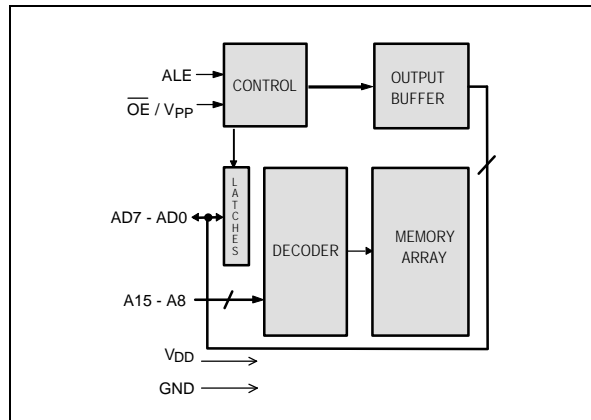
### FEATURES

- High speed access time: 70/90 nS (max.)
- Read operating current: 8 mA/20 mA (max.)
- Erase/Programming operating current 30 mA (max.)
- Standby current: 20 μA /100 μA (max.)
- Unregulated battery power supply range, 3.0V to 3.6V or 4.5V to 5.5V
- +13V erase and programming voltage
- High Reliability CMOS Technology
- 2K V ESD Protection
- 200 mA Latchup Immunity
- Fully static operation
- All inputs and outputs directly LVTTTL/CMOS compatible
- Three-state outputs
- Available packages: 20-pin TSSOP and 20-pin SOP

### PIN CONFIGURATIONS



### BLOCK DIAGRAM



### PIN DESCRIPTION

SYMBOL	DESCRIPTION
AD0-AD7	Address/Data Inputs/Outputs
A8-A15	Address Inputs
ALE	Address Latch Enable
OE/VPP	Output Enable, Program/Erase Supply Voltage
VDD	Power Supply
GND	Ground

# Advance Information W27LE520



## FUNCTIONAL DESCRIPTION

### Read Mode

Unlike conventional UVEPROMs, which has  $\overline{CE}$  and  $\overline{OE}$  two control functions, the W27LE520 has one  $\overline{OE}/V_{PP}$  and one ALE (address\_latch\_enable) control functions. The ALE makes lower address A[7:0] to be latched in the chip when it goes from high to low, so that the same bus can be used to output data during read mode. i.e. lower address A[7:0] and data bus DQ[7:0] are multiplexed.  $\overline{OE}/V_{PP}$  controls the output buffer to gate data to the output pins. When addresses are stable, the address access time ( $T_{ACC}$ ) is equal to the delay from ALE to output ( $T_{CE}$ ), and data are available at the outputs  $TOE$  after the falling edge of  $\overline{OE}/V_{PP}$ , if  $T_{ACC}$  and  $T_{CE}$  timings are met.

### Erase Mode

The erase operation is the only way to change data from "0" to "1." Unlike conventional UVEPROMs, which use ultraviolet light to erase the contents of the entire chip (a procedure that requires up to half an hour), the W27LE520 uses electrical erasure. Generally, the chip can be erased within 100 mS by using an EPROM writer with a special erase algorithm.

There are two ways to enter Erase mode. One is to raise  $\overline{OE}/V_{PP}$  to  $V_{PE}$  (13V),  $V_{DD} = V_{DE}$  (6.5V),  $A_9 = V_{HH}$  (13V),  $A_{10} = \text{high}$   $A_8 \& A_{11} = \text{low}$ , and all other address pins include AD[7:0] keep at fixed low or high. Pulsing ALE high starts the erase operation. The other way is somewhat like flash, by programming two consecutive commands into the device and then enter Erase mode. The two commands are loading Data = AA(hex) to Addr. = 5555(hex) and Data = 10(hex) to Addr. = 2AAA(hex). Be careful to note that the ALE pulse widths of these two commands are different: One is 50uS, while the other is 100mS. Please refer to the Smart Erase Algorithm 1 & 2.

### Erase Verify Mode

The device will enter the Erase Verify Mode automatically after Erase Mode. Only power down the device can force the device enter Normal Read Mode again.

### Program Mode

Programming is the only way to change cell data from "1" to "0." The program mode is entered when  $\overline{OE}/V_{PP}$  is raised to  $V_{PP}$  (13V),  $V_{DD} = V_{DP}$  (6.5V), the address pins equal the desired addresses, and the input pins equal the desired inputs. Pulsing ALE high starts the programming operation.

### Program Verify Mode

The device will enter the Program Verify Mode automatically after Program Mode. Only power down the device can force the device enter Normal Read Mode again.

### Erase/Program Inhibit

Erase or program inhibit mode allows parallel erasing or programming of multiple chips with different data. When ALE low, erasing or programming of non-target chips is inhibited, so that except for the ALE and  $\overline{OE}/V_{PP}$  pins, the W27LE520 may have common inputs.

### Standby Mode

The standby mode significantly reduces  $V_{DD}$  current. This mode is entered when ALE and  $\overline{OE}/V_{PP}$  keep high. In standby mode, all outputs are in a high impedance state.

### System Considerations

# Advance Information W27LE520



An EPROM's power switching characteristics require careful device decoupling. System designers are interested in three supply current issues: standby current levels (I<sub>SB</sub>), active current levels (I<sub>DD</sub>), and transient current peaks produced by the falling and rising edges of ALE. Transient current magnitudes depend on the device output's capacitive and inductive loading. Proper decoupling capacitor selection will suppress transient voltage peaks. Each device should have a

0.1  $\mu$ F ceramic capacitor connected between its V<sub>DD</sub> and GND. This high frequency, low inherent-inductance capacitor should be placed as close as possible to the device. Additionally, for every eight devices, a 4.7  $\mu$ F electrolytic capacitor should be placed at the array's power supply connection between V<sub>DD</sub> and GND. The bulk capacitor will overcome voltage slumps caused by PC board trace inductances.

## TABLE OF OPERATING MODES

(V<sub>PP</sub> = 13V, V<sub>PE</sub> = 13V, V<sub>HH</sub> = 12V, V<sub>DP</sub> = 6.5V, V<sub>DE</sub> = 6.5V, V<sub>DD</sub> = 3.3V or 5.0V, V<sub>DI</sub> = 5.0V, X = V<sub>IH</sub> or V<sub>IL</sub>)

MODE	PIN				
	ALE	$\overline{OE}/V_{PP}$	OTHER ADDRESS	V <sub>DD</sub>	AD[7:0]
Address Latch Enable	V <sub>IH</sub>	V <sub>IH</sub>	X	V <sub>DD</sub>	A[7:0]
Read	V <sub>IL</sub>	V <sub>IL</sub>	A <sub>IN</sub>	V <sub>DD</sub>	D <sub>OUT</sub>
Output Disable	V <sub>IL</sub>	V <sub>IH</sub>	X	V <sub>DD</sub>	High Z
Standby	V <sub>IH</sub>	V <sub>IH</sub>	A <sub>IN</sub>	V <sub>DD</sub>	A[7:0]
Program	V <sub>IH</sub>	V <sub>PP</sub>	A <sub>IN</sub>	V <sub>DP</sub>	D <sub>IN</sub>
Erase 1	V <sub>IH</sub>	V <sub>PE</sub>	A <sub>8&amp;A11</sub> = V <sub>IL</sub> , A <sub>9</sub> = V <sub>PE</sub> , A <sub>10</sub> = V <sub>IH</sub> , Others = X	V <sub>DE</sub>	X
Erase 2	V <sub>IH</sub>	V <sub>PE</sub>	First command: Addr. = 5555 (hex)	V <sub>DE</sub>	AA(hex)
			Secon command: Addr. = 2AAA (hex)	V <sub>DE</sub>	10(hex)
Product Identifier- manufacturer	V <sub>IL</sub>	V <sub>IL</sub>	A <sub>8</sub> = V <sub>IL</sub> , A <sub>9</sub> = V <sub>HH</sub> , Others = X	V <sub>DI</sub>	DA(Hex)
Product Identifier-device	V <sub>IL</sub>	V <sub>IL</sub>	A <sub>8</sub> = V <sub>IH</sub> , A <sub>9</sub> = V <sub>HH</sub> , Others = X	V <sub>DI</sub>	1F(Hex)

# Advance Information W27LE520



## DC CHARACTERISTICS

### Absolute Maximum Ratings

PARAMETER	RATING	UNIT
Ambient Temperature with Power Applied	-55 to +125	°C
Storage Temperature	-65 to +150	°C
Voltage on all Pins with Respect to Ground Except $\overline{OE}/V_{PP}$ , A9 and VDD Pins	-2.0 to +7.0	V
Voltage on $\overline{OE}/V_{PP}$ Pin with Respect to Ground	-2.0 to +7.0	V
Voltage on A9 Pin with Respect to Ground	-2.0 to +7.0	V
Voltage VDD Pin with Respect to Ground	-2.0 to +14.0	V

Note: 1. Exposure to conditions beyond those listed under Absolute Maximum Ratings may adversely affect the life and reliability of the device.

2. Minimum voltage is -0.6V DC which may undershoot to -2.0V for pulses of less than 20ns. Maximum output pin voltage is  $V_{DD}+0.75V$  DC which may overshoot to +7.0V for pulses of less than 20ns.

### DC Erase Characteristics

( $T_A = 25^\circ\text{C} \pm 5^\circ\text{C}$ ,  $V_{DD} = 6.5V \pm 0.25V$ )

PARAMETER	SYM.	CONDITIONS	LIMITS			UNIT
			MIN.	TYP.	MAX.	
Input Load Current	I <sub>LI</sub>	$V_{IN} = V_{IL}$ or $V_{IH}$	-10	-	10	μA
VDD Erase Current	I <sub>CP</sub>	ALE = $V_{IH}$ , $\overline{OE}/V_{PP} = V_{PE}$ A8&A11 = $V_{IL}$ , A9 = $V_{PE}$ , A10 = $V_{IH}$ , Others = X	-	-	30	mA
VPP Erase Current	I <sub>PP</sub>	ALE = $V_{IH}$ , $\overline{OE}/V_{PP} = V_{PE}$ A8&A11 = $V_{IL}$ , A9 = $V_{PE}$ , A10 = $V_{IH}$ , Others = X	-	-	30	mA
Input Low Voltage	V <sub>IL</sub>	-	-0.3	-	0.8	V
Input High Voltage	V <sub>IH</sub>	-	2.4	-	$V_{DD}+0.3$	V
Output Low Voltage (Verify)	V <sub>OL</sub>	I <sub>OL</sub> = 2.1 mA	-	-	0.45	V
Output High Voltage (Verify)	V <sub>OH</sub>	I <sub>OH</sub> = -0.4 mA	2.4	-	-	-
A9 SID Voltage	V <sub>HH</sub>	$V_{DD} = 5V \pm 10\%$	11.5	12	12.5	V
A9 Erase Voltage	V <sub>PE</sub>	-	12.75	13	13.25	V
VPP Erase Voltage	V <sub>PE</sub>	-	12.75	13	13.25	V
VDD Supply Voltage (Erase & Erase Verify)	V <sub>DE</sub>	-	6.25	6.5	6.75	V

Note: VDD must be applied simultaneously or before VPP and removed simultaneously or after VPP.

## CAPACITANCE

( $V_{DD} = 3.0V$  to  $3.6V$  or  $4.5V$  to  $5.5V$ ,  $T_A = 25^\circ\text{C}$ ,  $f = 1\text{MHz}$ )

PARAMETER	SYMBOL		MAX.	UNIT
Input Capacitance	C <sub>IN</sub>	$V_{IN} = 0V$	6	pF
Output Capacitance	C <sub>OUT</sub>	$V_{OUT} = 0V$	12	pF

# Advance Information W27LE520

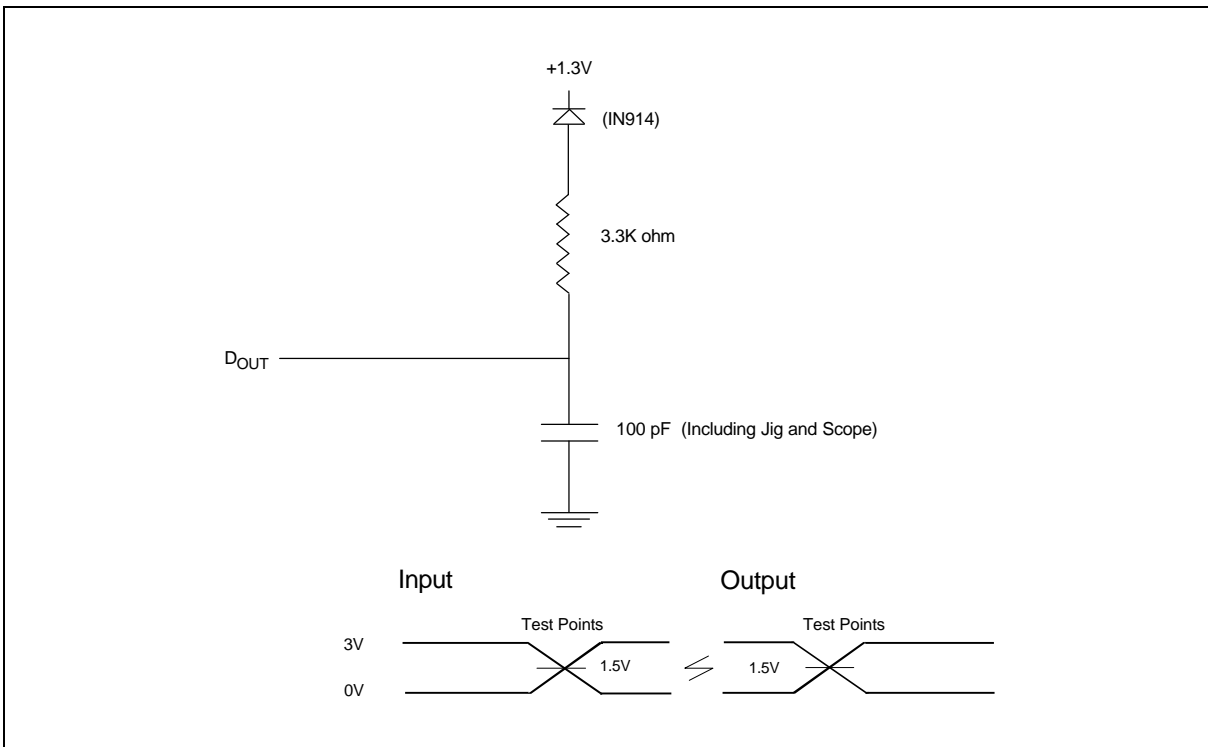


## AC CHARACTERISTICS

### AC Test Conditions

PARAMETER	CONDITIONS
Input Pulse Levels	0V/3V
Input Rise and Fall Times	10 nS
Input and Output Timing Reference Level	1.5V/1.5V
Output Load	CL = 100 pF, IOH/IO L = -0.4 mA/2.1 mA

### AC Test Load and Waveforms



# Advance Information W27LE520



## READ OPERATION DC CHARACTERISTICS

(V<sub>DD</sub> = 3.0V to 3.6V or 4.5V to 5.5V, T<sub>A</sub> = 0 to 70° C)

PARAMETER	SYM.	CONDITIONS	LIMITS			UNIT
			MIN.	TYP.	MAX	
Input Load Current	I <sub>LI</sub>	V <sub>IN</sub> = 0V to V <sub>DD</sub>	-5	-	5	μA
Output Leakage Current	I <sub>LO</sub>	V <sub>OUT</sub> = 0V to V <sub>DD</sub>	-5	-	5	μA
Standby V <sub>DD</sub> Current (CMOS input)	I <sub>SB</sub>	V <sub>DD</sub> = 3.0V to 3.6V	-	-	20	μA
		V <sub>DD</sub> = 4.5V to 5.5V			100	
V <sub>DD</sub> Operating Current	I <sub>DD</sub>	V <sub>DD</sub> = 3.0V to 3.6V	-	-	8	mA
		V <sub>DD</sub> = 4.5V to 5.5V			20	
Input Low Voltage	V <sub>IL</sub>	-	-0.6	-	0.8	V
Input High Voltage	V <sub>IH</sub>	-	2.0	-	V <sub>DD</sub> +0.3	V
Output Low Voltage	V <sub>OL</sub>	I <sub>OL</sub> = 2.1 mA	-	-	0.4	V
Output High Voltage	V <sub>OH</sub>	I <sub>OH</sub> = -0.4 mA	2.4	-	-	V

## READ OPERATION AC CHARACTERISTICS

(V<sub>DD</sub> = 3.0V to 3.6V or 4.5V to 5.5V, T<sub>A</sub> = 0 to 70° C)

PARAMETER	SYM.	W27LE520-70		W27LE520-90		UNIT
		MIN.	MAX.	MIN.	MAX	
Address Latch Enable Access Time	T <sub>CE</sub>	-	70	-	90	nS
Address Latch Enable Width	T <sub>ALE</sub>	45	-	45	-	nS
Address Access Time	T <sub>ACC</sub>	-	70	-	90	nS
Address Setup Time	T <sub>AS</sub>	15	-	15	-	nS
Address Hold Time	T <sub>AH</sub>	15	-	15	-	nS
Output Enable Access Time	T <sub>OE</sub>	-	35	-	35	nS
$\overline{\text{OE}}$ /V <sub>PP</sub> High to High-Z Output	T <sub>DF</sub>	-	25	-	25	nS
Output Hold from Address Change	T <sub>OH</sub>	0	-	0	-	nS

Note: V<sub>DD</sub> must be applied simultaneously or before V<sub>PP</sub> and removed simultaneously or after V<sub>PP</sub>.

# Advance Information W27LE520



## DC PROGRAMMING CHARACTERISTICS

(V<sub>DD</sub> = 6.5V ±0.25V, T<sub>A</sub> = 25° C ±5° C)

PARAMETER	SYM.	CONDITIONS	LIMITS			UNIT
			MIN.	TYP.	MAX.	
Input Load Current	I <sub>LI</sub>	V <sub>IN</sub> = V <sub>IL</sub> or V <sub>IH</sub>	-10	-	10	μA
V <sub>DD</sub> Program Current	I <sub>CP</sub>	ALE = V <sub>IH</sub> , $\overline{\text{OE}} / V_{PP} = V_{PP}$	-	-	30	mA
V <sub>PP</sub> Program Current	I <sub>PP</sub>	ALE = V <sub>IH</sub> , $\overline{\text{OE}} / V_{PP} = V_{PP}$	-	-	30	mA
Input Low Voltage	V <sub>IL</sub>	-	-0.3	-	0.8	V
Input High Voltage	V <sub>IH</sub>	-	2.4	-	V <sub>DD</sub> +0.5	V
Output Low Voltage (Verify)	V <sub>OL</sub>	I <sub>OL</sub> = 2.1 mA	-	-	0.45	V
Output High Voltage (Verify)	V <sub>OH</sub>	I <sub>OH</sub> = -0.4 mA	2.4	-	-	V
A9 Silicon I.D. Voltage	V <sub>HH</sub>	V <sub>DD</sub> = 5V ± 10%	11.5	12.0	12.5	V
V <sub>PP</sub> Program Voltage	V <sub>PP</sub>	-	12.75	13.0	13.25	V
V <sub>DD</sub> Supply Voltage (Program)	V <sub>DP</sub>	-	6.25	6.5	6.75	V

## AC PROGRAMMING/ERASE CHARACTERISTICS

(V<sub>DD</sub> = 6.5V ±0.25V, T<sub>A</sub> = 25° C ±5° C)

PARAMETER	SYM.	LIMITS			UNIT
		MIN.	TYP.	MAX.	
$\overline{\text{OE}} / V_{PP}$ Pulse Rise Time	T <sub>PRT</sub>	50	-	-	nS
Address Latch Enable Width	T <sub>ALE</sub>	500	-	-	nS
ALE Program Pulse Width	T <sub>PPW</sub>	47.5	50	52.5	μS
ALE Erase Pulse Width	T <sub>EPW</sub>	95	100	105	mS
ALE Erase Pulse Width 1	T <sub>EPW1</sub>	47.5	50	52.5	μS
ALE Erase Pulse Width 2	T <sub>EPW2</sub>	95	100	105	mS
Latched Address Setup Time	T <sub>LAS</sub>	100	-	-	nS
Latched Address Hold Time	T <sub>LAH</sub>	100	-	-	nS
Address Setup Time	T <sub>AS</sub>	2.0	-	-	μS
Address Hold Time	T <sub>AH</sub>	0	-	-	μS
$\overline{\text{OE}} / V_{PP}$ Setup Time	T <sub>OES</sub>	2.0	-	-	μS
$\overline{\text{OE}} / V_{PP}$ Hold Time	T <sub>OEH</sub>	2.0	-	-	μS
Data Setup Time	T <sub>DS</sub>	2.0	-	-	μS
Data Hold Time	T <sub>DH</sub>	2.0	-	-	μS
Data Valid from $\overline{\text{OE}} / V_{PP}$ Low during Erase Verify	T <sub>EOE</sub>	-	-	150	nS
Data Valid from $\overline{\text{OE}} / V_{PP}$ Low during Program Verify	T <sub>POE</sub>	-	-	150	nS
$\overline{\text{OE}} / V_{PP}$ High to Output High Z	T <sub>DFP</sub>	0	-	130	nS
$\overline{\text{OE}} / V_{PP}$ High Voltage Delay After ALE Low	T <sub>Vs</sub>	2.0	-	-	μS
$\overline{\text{OE}} / V_{PP}$ Recovery Time	T <sub>VR</sub>	2.0	-	-	μS

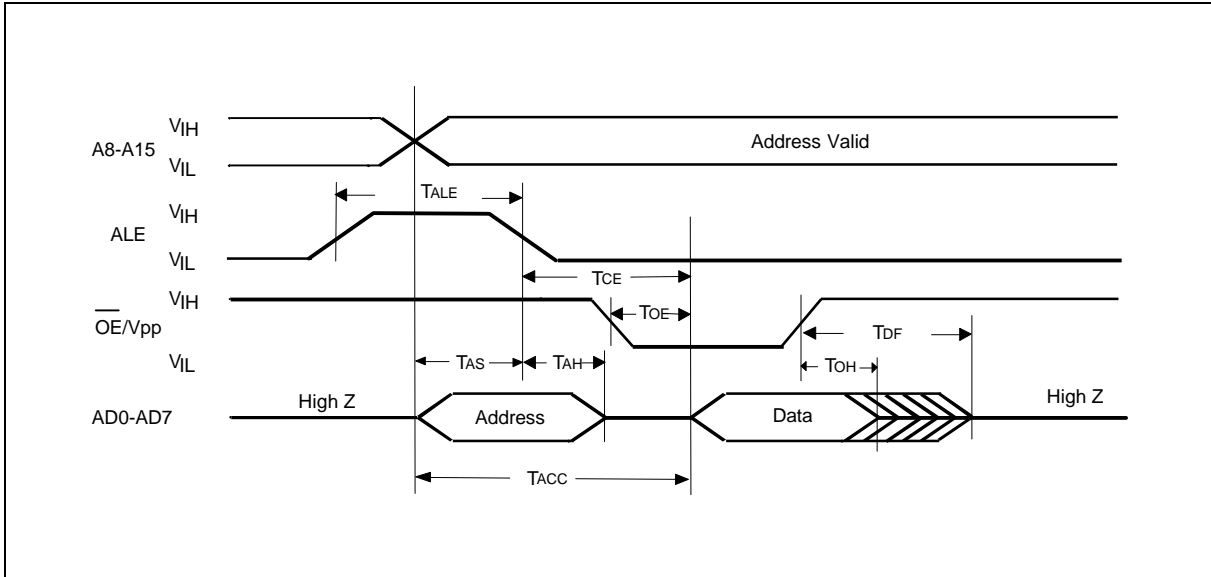
Note: V<sub>DD</sub> must be applied simultaneously or before V<sub>PP</sub> and removed simultaneously or after V<sub>PP</sub>.

# Advance Information W27LE520

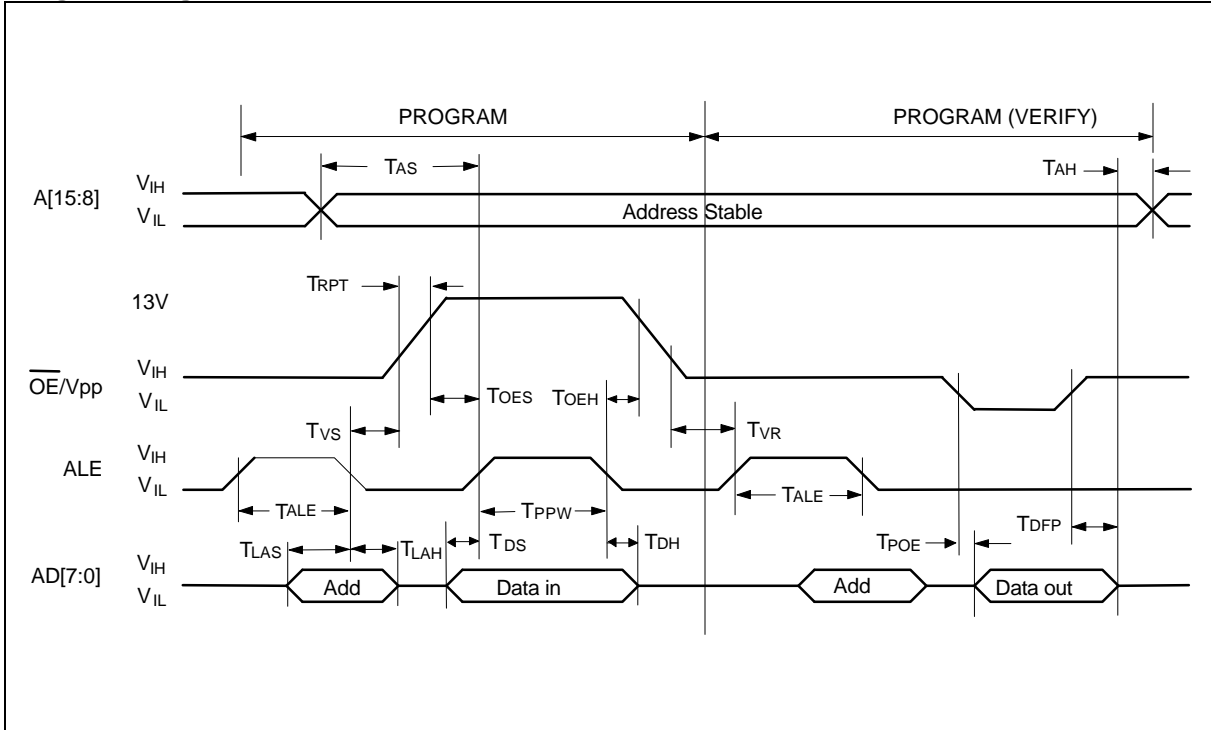


## TIMING WAVEFORMS

### AC Read Waveform



### Programming Waveform



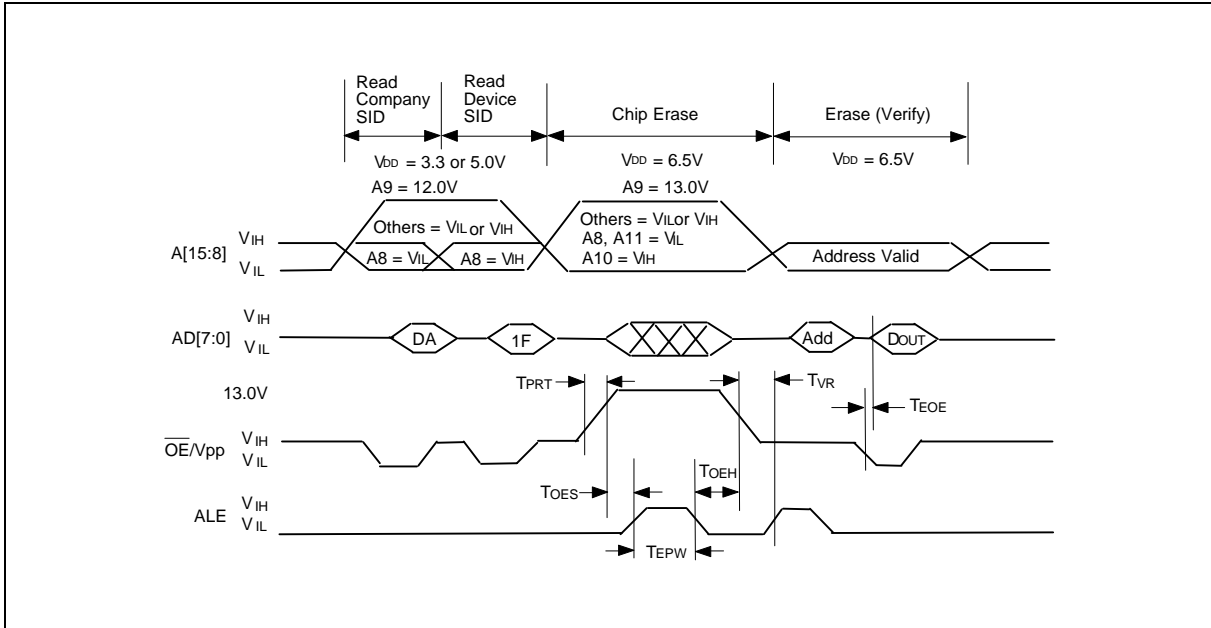


# Advance Information W27LE520

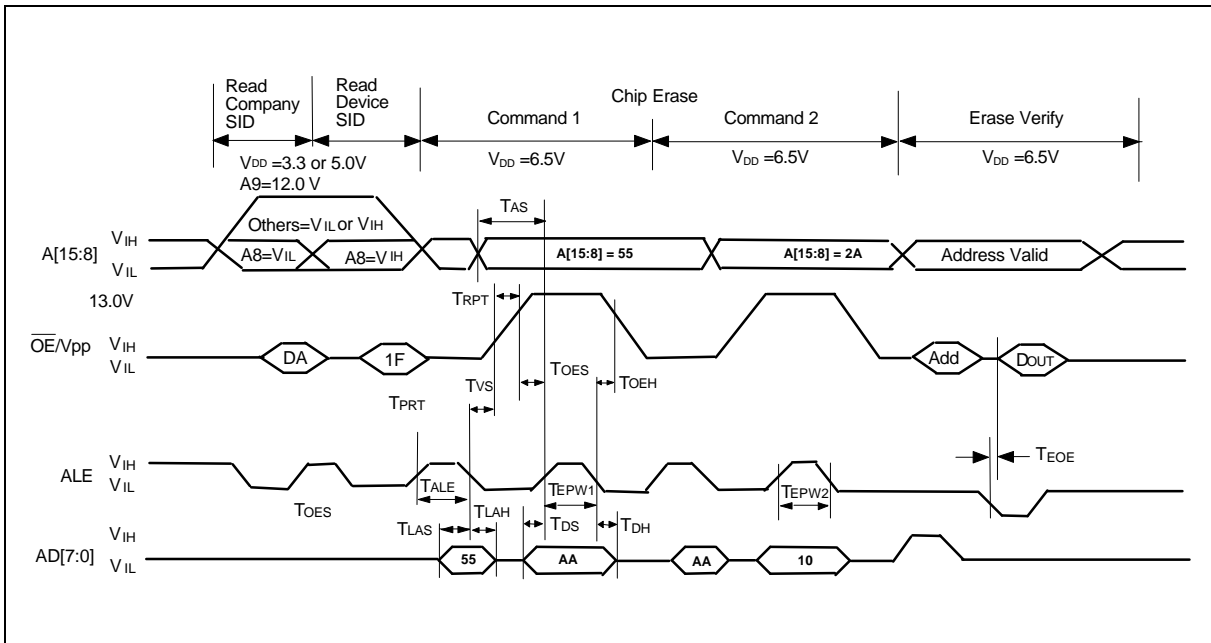


Timing Waveforms, continued

## Erase Waveform 1



## Erase Waveform 2

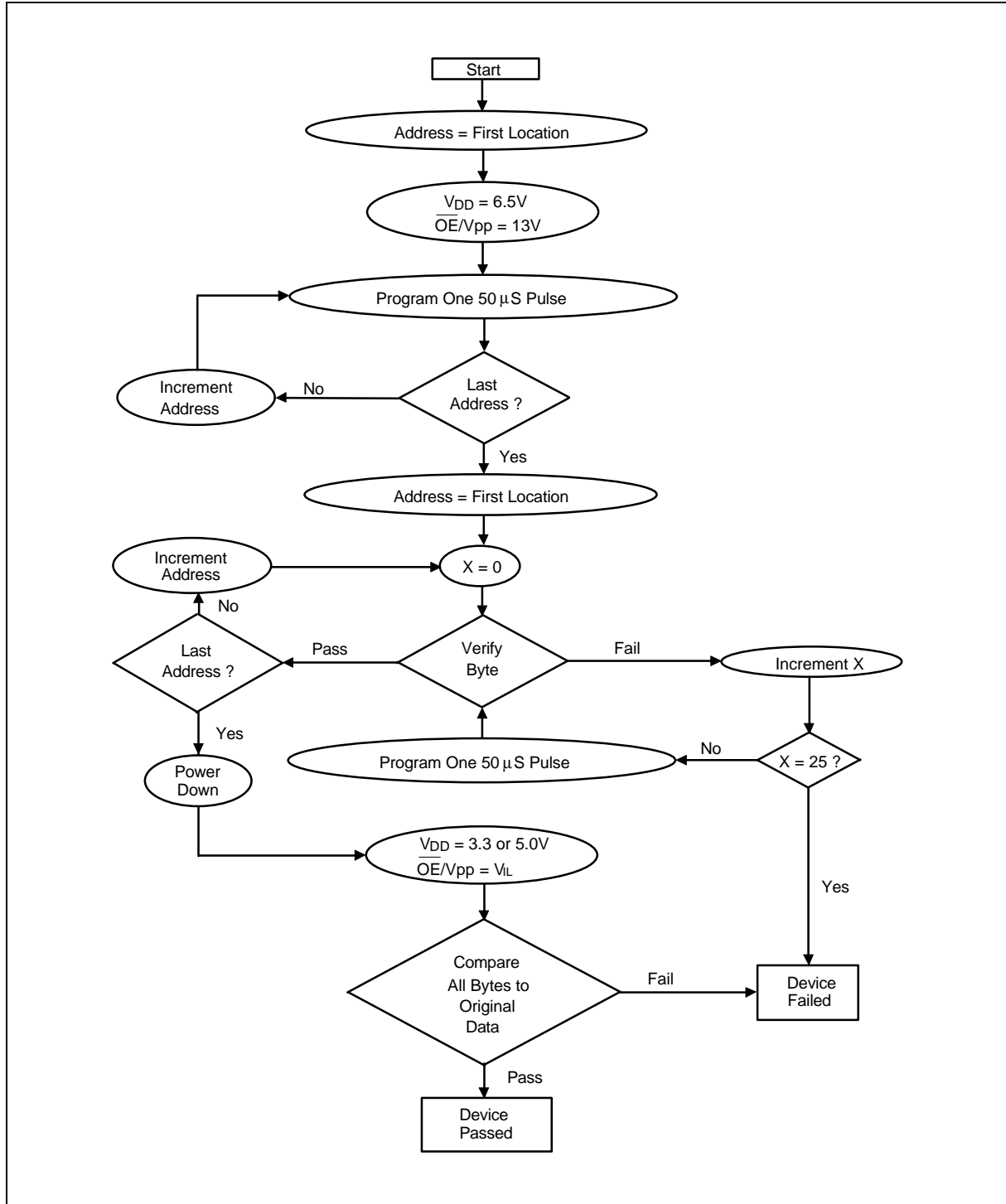


Note: First command Address = 5555(hex) with Data = AA(hex)  
 Second command Address = 2AAA(hex) with Data = 10(hex)

# Advance Information W27LE520



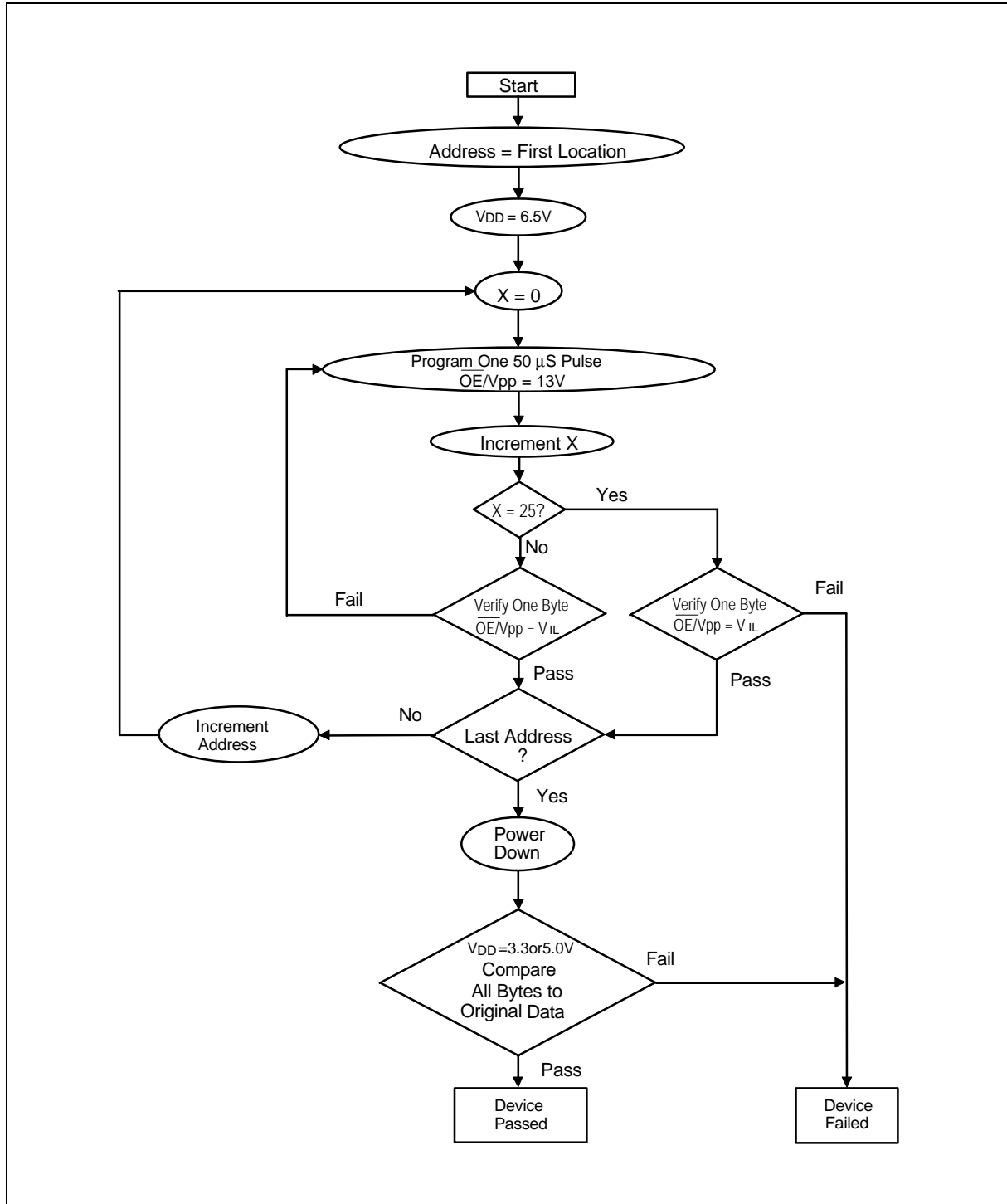
## SMART PROGRAMMING ALGORITHM 1



# Advance Information W27LE520



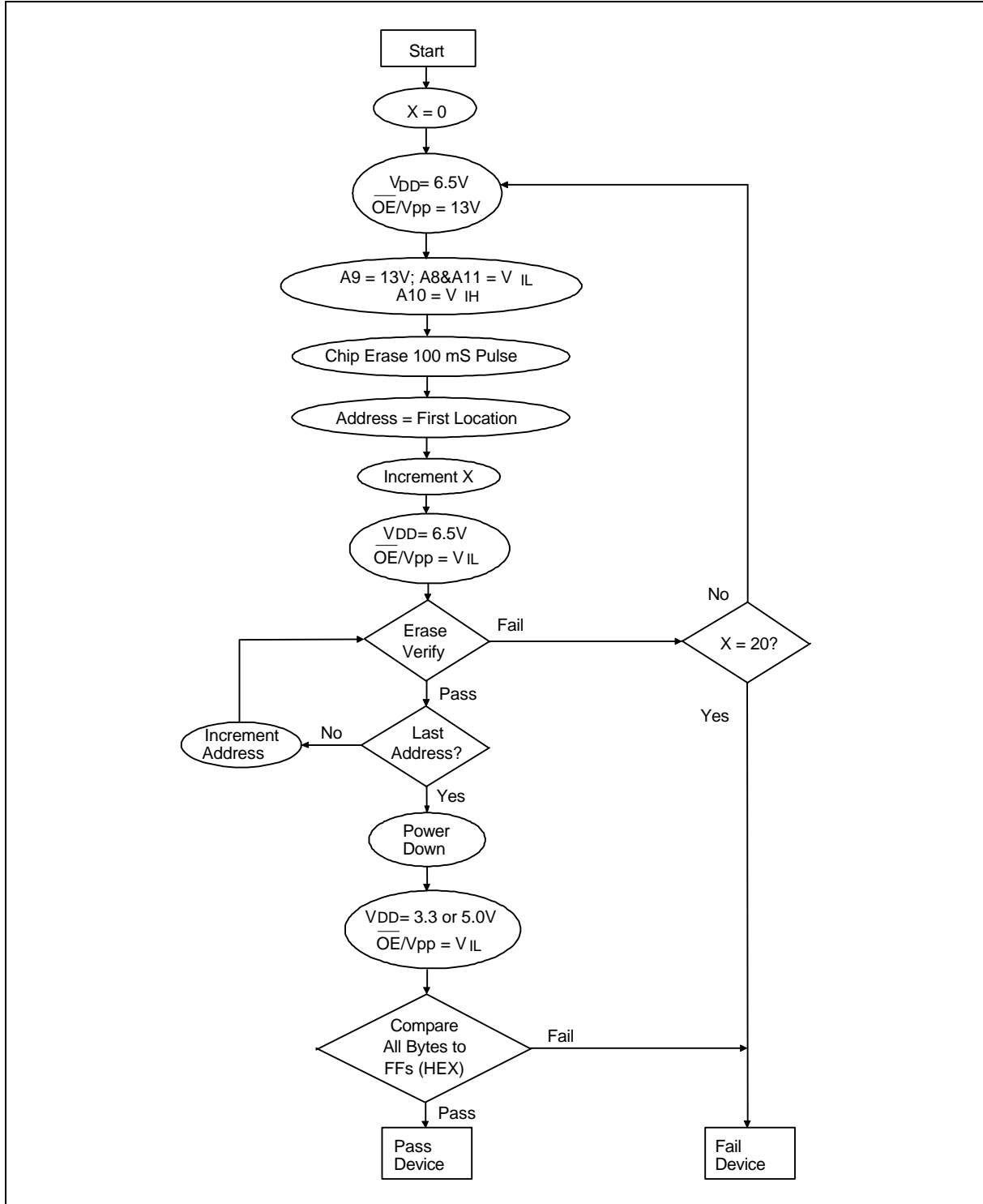
## SMART PROGRAMMING ALGORITHM 2



# Advance Information W27LE520



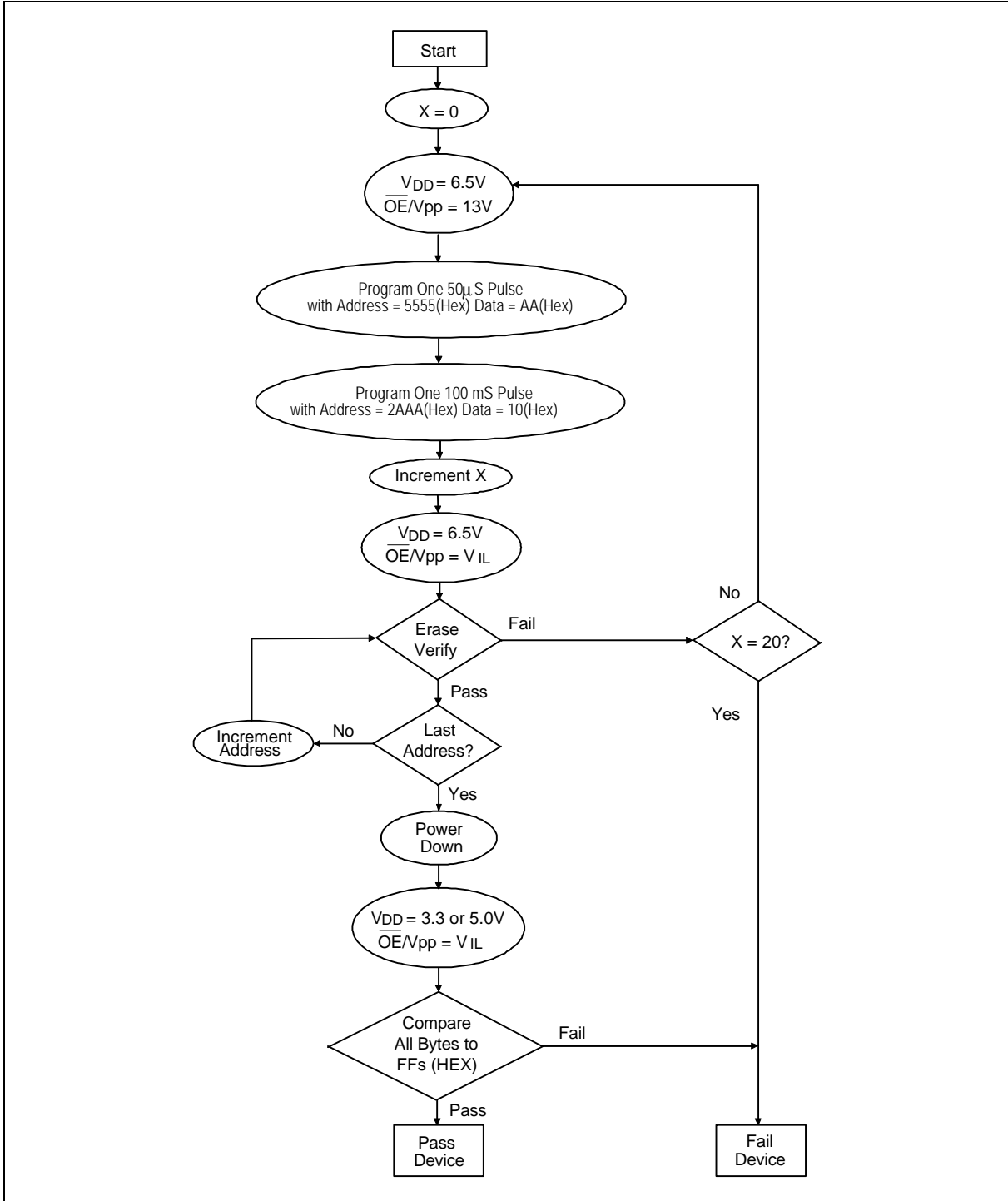
## SMART ERASE ALGORITHM 1



# Advance Information W27LE520



## SMART ERASE ALGORITHM 2



# Advance Information W27LE520



## ORDERING INFORMATION

PART NO.	ACCESS TIME (nS)	OPERATING CURRENT MAX. (mA)	STANDBY CURRENT MAX. (μA)	PACKAGE
W27LE520W-70*	70	8/20	20/100	173mil TSSOP
W27LE520W-90*	90	8/20	20/100	173mil TSSOP
W27LE520S-70*	70	8/20	20/100	300mil SOP
W27LE520S-90*	90	8/20	20/100	300mil SOP

Notes:

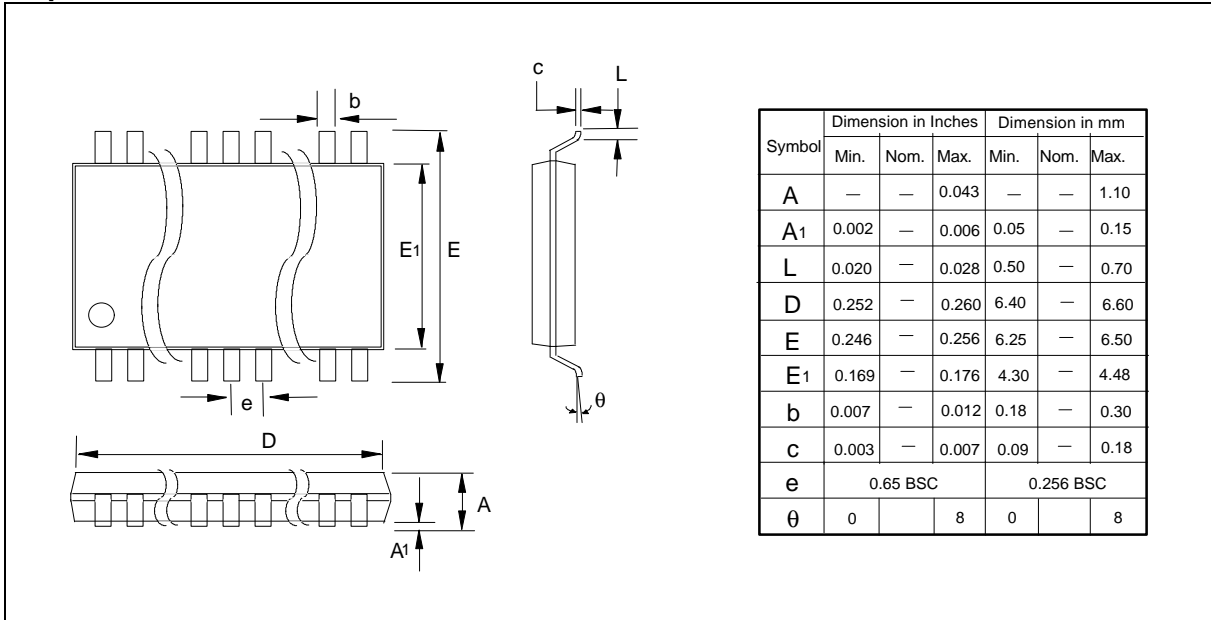
1. The Part No is preliminary and might be changed after project is consoled.
2. Winbond reserves the right to make changes to its products without prior notice.
3. Purchasers are responsible for performing appropriate quality assurance testing on products intended for use in applications where personal injury might occur as a consequence of product failure.

# Advance Information W27LE520

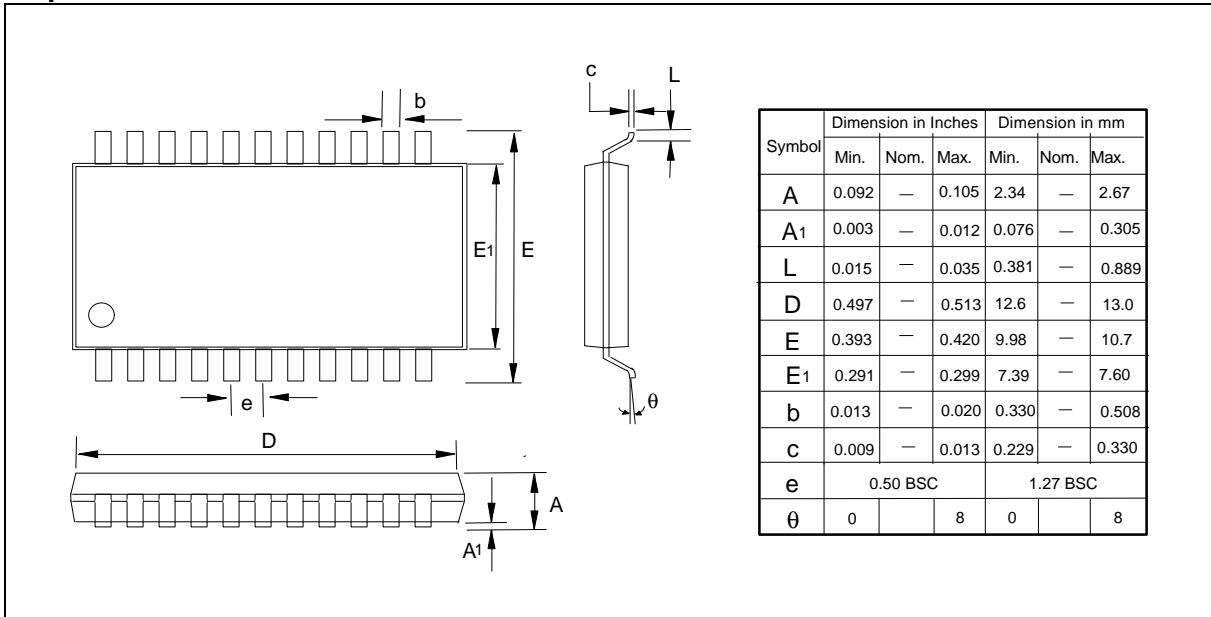


## PACKAGE DIMENSIONS

### 20-pin TSSOP



### 20-pin SOP



# Advance Information W27LE520



## VERSION HISTORY

VERSION	DATE	PAGE	DESCRIPTION
A1	4/26/2000	-	Initial Issued



### Headquarters

No. 4, Creation Rd. III,  
Science-Based Industrial Park,  
Hsinchu, Taiwan  
TEL: 886-3-5770066  
FAX: 886-3-5796096  
<http://www.winbond.com.tw/>  
Voice & Fax-on-demand: 886-2-7197006

### Taipei Office

11F, No. 115, Sec. 3, Min-Sheng East Rd.,  
Taipei, Taiwan  
TEL: 886-2-7190505  
FAX: 886-2-7197502

### Winbond Electronics (H.K.) Ltd.

Rm. 803, World Trade Square, Tower II,  
123 Hoi Bun Rd., Kwun Tong,  
Kowloon, Hong Kong  
TEL: 852-27513100  
FAX: 852-27552064

### Winbond Electronics North America Corp.

Winbond Memory Lab.  
Winbond Microelectronics Corp.  
Winbond Systems Lab.  
2727 N. First Street, San Jose,  
CA 95134, U.S.A.  
TEL: 408-9436666  
FAX: 408-5441798

Note: All data and specifications are subject to change without notice.