

General Description

The AAT2845 is a highly integrated power solution for single-cell lithium-ion-based LCD display applications. It includes a four-channel LED backlight driver and two integrated 200mA LDOs as additional power supplies for display and camera-related chipsets.

The backlight driver is a low noise, constant frequency charge pump DC/DC converter that uses a tri-mode load switch (1X), fractional (1.5X), and doubling (2X) conversion to maximize efficiency. Each of the four channels is capable of driving up to 20mA per channel.

AnalogicTech's S²Cwire™ (Simple Serial Control™) serial digital input is used to enable, disable, and set current for each LED with 16 available settings down to 50µA. The low current mode supply current can be as low as 50µA to save power and maintain high efficiency.

Each LED output is equipped with built-in protection for short-circuit and auto-disable functions. Built-in soft-start circuitry prevents excessive inrush current during start-up. A low current shutdown feature disconnects the load from the input and reduces quiescent current to less than 1µA.

The AAT2845 is available in a Pb-free, thermally-enhanced 20-pin 3x4mm TQFN package.

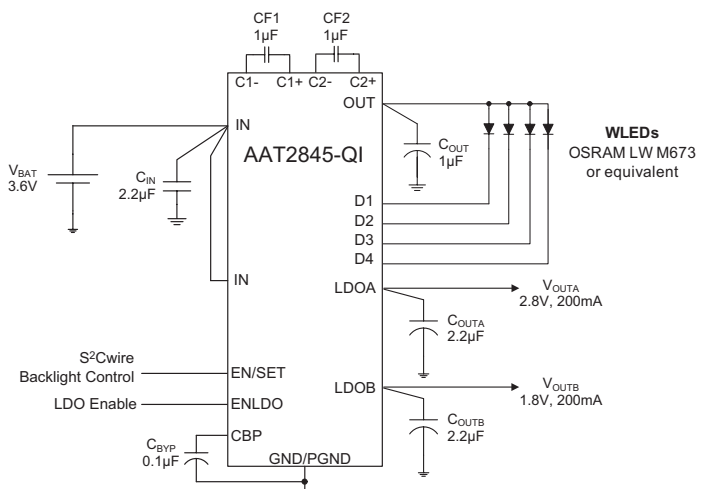
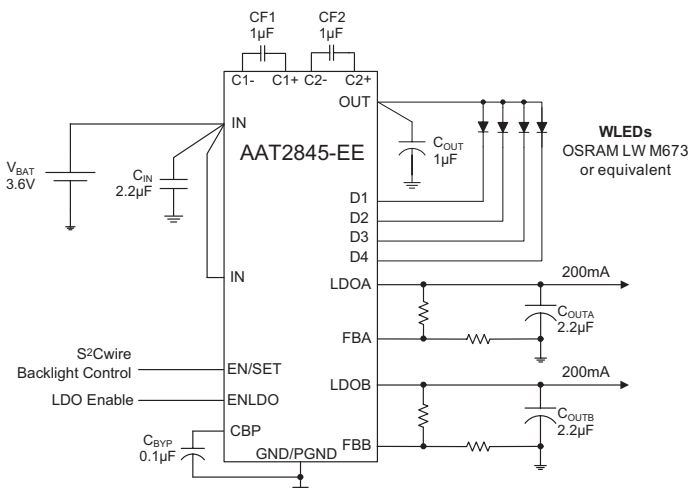
Features

- Input Voltage Range: 2.7V to 5.5V
- Four-Channel LED Driver:
 - Tri-Mode Charge Pump
 - Up to 20mA/Channel
 - Easy Control with Single Wire Interface
 - 16 Current Levels
 - Four Low Current Settings Down to 50µA
 - Low I_Q (50µA) for Low Current Mode
 - >90% Peak Efficiency
- Dual, 200mA LDOs
 - User-Programmable Outputs: AAT2845-EE
 - AAT2845-QG: 2.8V and 1.5V
 - AAT2845-QI: 2.8V and 1.8V
 - Fixed Output Voltages
- Automatic Soft-Start
- Over-Temperature Protection
- Available in 3x4mm TQFN34-20 Package
- -40°C to +85°C Temperature Range

Applications

- Camera Function Power Supplies
- Camera Phone Displays
- LCD Modules
- White LED Backlighting

Typical Application

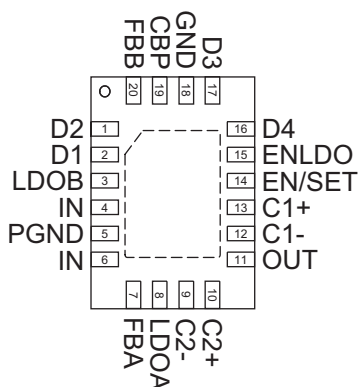


Pin Descriptions

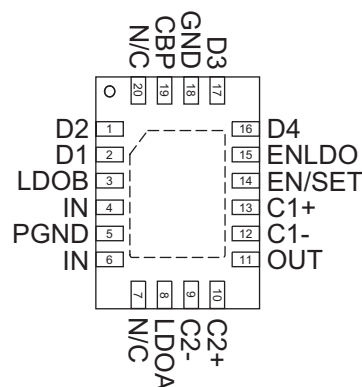
Pin #	Symbol		Function
	AAT2845-EE	AAT2845-QG/QI	
1	D2	D2	Current sink input #2.
2	D1	D1	Current sink input #1.
3	LDOB	LDOB	Output of LDO B. Connect a 2.2µF or larger ceramic capacitor to GND.
4	IN	IN	Input power supply for charge pump. Requires a 2.2µF or larger ceramic capacitor connected between IN and PGND.
5	PGND	PGND	Power ground. Connect PGND to GND at a single point as close to the AAT2845 as possible.
6	IN	IN	Input power pin for both LDOs. Connect Pin 6 to Pin 4 with as short a PCB trace as practical.
7	FBA	N/C	AAT2845-EE: Feedback pin for LDOA. Internally regulated at 1.2V. AAT2845-QG/QI: No connection. Do not make any connection to this pin.
8	LDOA	LDOA	Output of LDOA. Connect a 2.2µF or larger ceramic capacitor to GND.
9	C2-	C2-	Negative terminal of Charge Pump Capacitor 2.
10	C2+	C2+	Positive terminal of Charge Pump Capacitor 2. Connect a 1µF ceramic capacitor between C2+ and C2-.
11	OUT	OUT	Charge pump output to drive load circuit. Connect a 1µF or larger ceramic capacitor between OUT and PGND.
12	C1-	C1-	Negative terminal of Charge Pump Capacitor 1.
13	C1+	C1+	Positive terminal of Charge Pump Capacitor 1. Connect a 1µF ceramic capacitor between C1+ and C1-.
14	EN/SET	EN/SET	S ² Cwire control pin for backlight LED current control.
15	ENLDO	ENLDO	Enable input pin for LDOA and LDOB.
16	D4	D4	Current sink input #4.
17	D3	D3	Current sink input #3.
18	GND	GND	Ground. Connect GND to PGND at a single point as close to the AAT2845 as possible.
19	CBP	CBP	Bypass pin for the internal reference. Connect a 0.1µF ceramic capacitor from CBP to GND.
20	FBB	N/C	AAT2845-EE: Feedback pin for LDOB. Internally regulated at 1.2V. AAT2845-QG/QI: No connection. Do not make any connection to this pin.
EP			Exposed paddle (bottom). Connect to PGND as close as possible to the device.

Pin Configuration

AAT2845-EE
TQFN34-20
(Top View)



AAT2845-QG/-QI
TQFN34-20
(Top View)





ChargePump™

Four-Channel Backlight Driver with Dual LDOs

Absolute Maximum Ratings¹

$T_A = 25^\circ\text{C}$, unless otherwise noted. Pin descriptions below apply to AAT2845-EE (AAT2845-QG/-QI).

Symbol	Description	Value	Units
	IN, OUT, D1, D2, D3, D4 Voltage to GND/PGND	-0.3 to 6.0	V
	C1+, C1-, C2+, C2- Voltage to GND/PGND	-0.3 to $V_{OUT} + 0.3$	V
	LDOA, LDOB, FBA (N/C), FBB (N/C), EN/SET, ENLDO, CBP Voltage to GND/PGND	-0.3 to $V_{IN} + 0.3$	V
	PGND Voltage to GND/PGND	-0.3 to +0.3	V
T_J	Operating Temperature Range	-40 to 150	$^\circ\text{C}$
T_{LEAD}	Maximum Soldering Temperature (at leads, 10 sec)	300	$^\circ\text{C}$

Thermal Information^{2, 3}

Symbol	Description	Value	Units
θ_{JA}	Thermal Resistance	50	$^\circ\text{C}/\text{W}$
P_D	Maximum Power Dissipation	2	W

1. Stresses above those listed in Absolute Maximum Ratings may cause permanent damage to the device. Functional operation at conditions other than the operating conditions specified is not implied. Only one Absolute Maximum Rating should be applied at any one time.
2. Derate 20mW/ $^\circ\text{C}$ above 40 $^\circ\text{C}$ ambient temperature.
3. Mounted on a FR4 circuit board.

Electrical Characteristics¹

$I_N = 3.6V$; $C_{IN} = C_{OUTA} = C_{OUTB} = 2.2\mu F$; $C_{OUT} = 1\mu F$; $C_1 = C_2 = 1.0\mu F$; $C_{BP} = 0.1\mu F$; $T_A = 25^\circ C$, unless otherwise noted. Typical values are at $T_A = 25^\circ C$.

Symbol	Description	Conditions	Min	Typ	Max	Units
Power Supply						
I_N	Input Voltage		2.7		5.5	V
I_{SHDN}	Total Shutdown Current at VIN and LDOIN	EN/SET = ENLDO = GND			1.0	μA
Charge Pump						
I_{CC}	Operating Current	1X Mode, $3.0 \leq V_{IN} \leq 5.5$, Active, No Load Current			1.0	mA
		1.5X Mode, $3.0 \leq V_{IN} \leq 5.5$, Active, No Load Current			3.0	
		2X Mode, $3.0 \leq V_{IN} \leq 5.5$, Active, No Load Current			5.0	
		50 μA Setting, 1X Mode		50		μA
I_{DX}	Average Current Accuracy	20mA Setting, $T_A = 25^\circ C$	18	20	22	mA
		1mA Setting, $T_A = 25^\circ C$	0.9	1.0	1.1	
$I_{(D-Match)}$	Current Matching ²	$V_{IN} - V_F = 1.5V$		0.5	1.0	%
V_{TH}	1X to 1.5X or 1.5X to 2X Transition Threshold at Any DX Pin			150		mV
T_{SS}	Soft-Start Time			100		μs
F_{CLK}	Clock Frequency			1		MHz
T_{SD}	Over-Temperature Shutdown Threshold			140		$^\circ C$
T_{HYS}	Over-Temperature Shutdown Hysteresis			15		$^\circ C$
EN/SET Logic Control						
$T_{EN/SET LO}$	EN/SET Low Time		0.3		75	μs
$T_{EN/SET HI MIN}$	Minimum EN/SET High Time			50		ns
$T_{EN/SET HI MAX}$	Maximum EN/SET High Time				75	μs
T_{OFF}	EN/SET Off Timeout				500	μs
T_{LAT}	EN/SET Latch Timeout				500	μs
$V_{IL(EN/SET)}$	EN/SET Input Low Threshold Voltage				0.4	V
$V_{IH(EN/SET)}$	EN/SET Input High Threshold Voltage		1.4			V
$I_{EN/SET}$	EN/SET Input Leakage	$V_{EN/SET} = V_{IN} = 5V$	-1		1	μA

1. The AAT2845 is guaranteed to meet performance specifications over the $-40^\circ C$ to $+85^\circ C$ operating temperature range and is assured by design, characterization, and correlation with statistical process controls.

2. Current matching is defined as the deviation of any sink current from the average of all active channels.

Electrical Characteristics¹

IN = 3.6V; C_{IN} = C_{OUTA} = C_{OUTB} = 2.2μF; C_{OUT} = 1μF; C₁ = C₂ = 1.0μF; C_{BP} = 0.1μF; T_A = 25°C, unless otherwise noted. Typical values are at T_A = 25°C.

Symbol	Description	Conditions	Min	Typ	Max	Units
LDOs: AAT2845-EE						
I _{IN}	IN Operating Current	ENLDO = IN, EN/SET = AGND, No Load		80	150	μA
V _{FBA} , V _{FBB}	Feedback Voltage	I _{OUT} = 1mA to 200mA	1.17	1.2	1.23	V
V _{DO}	Dropout Voltage	I _{OUT} = 150mA		150	300	mV
$\frac{\Delta V_{OUT}}{V_{OUT}} * \Delta V_{IN}$	Line Regulation	V _{IN} = (V _{OUT} + 1V) to 5.0V		0.09		%/V
PSRR	Power Supply Rejection Ratio	I _{OUT} = 10mA, 1kHz		50		dB
LDOs: AAT2845-QG						
I _{IN}	IN Operating Current	ENLDO = IN, EN/SET = GND, No Load		80	150	μA
LDOA	LDOA Voltage Tolerance	I _{OUTA} = 1mA to 150mA	2.716	2.8	2.884	V
LDOB	LDOB Voltage Tolerance	I _{OUTB} = 1mA to 150mA	1.455	1.5	1.545	V
V _{DO}	LDOA, LDOB Dropout Voltage ²	I _{OUTA/B} = 150mA		150	300	mV
$\frac{\Delta V_{LDOA/B}}{V_{LDOA/B}} * \Delta V_{IN}$	LDOA, LDOB Line Regulation	V _{IN} = (LDOA + 1V) to 5.0V; V _{IN} = (LDOB + 1.2V) to 5.0V		0.09		%
PSRR	LDOA, LDOB Power Supply Rejection Ratio				50	dB
LDOs: AAT2845-QI						
I _{IN}	IN Operating Current	ENLDO = IN, EN/SET = GND, No Load		80	150	μA
LDOA	LDOA Voltage Tolerance	I _{OUTA} = 1mA to 150mA	2.716	2.8	2.884	V
LDOB	LDOB Voltage Tolerance	I _{OUTB} = 1mA to 150mA	1.746	1.8	1.854	V
V _{DO}	LDOA, LDOB Dropout Voltage ²	I _{OUTA/B} = 150mA		150	300	mV
$\frac{\Delta V_{LDOA/B}}{V_{LDOA/B}} * \Delta V_{IN}$	LDOA, LDOB Line Regulation	V _{IN} = (LDOA/B + 1V) to 5.0V		0.09		%
PSRR	LDOA, LDOB Power Supply Rejection Ratio				50	dB
LDO Logic Control – All Options						
V _{IL(ENLDO)}	ENLDO Pins Logic Low Threshold				0.4	V
V _{IH(ENLDO)}	ENLDO Pins Logic High Threshold		1.4			V
I _{ENLDO}	ENLDO Input Leakage	V _{ENLDO} = V _{IN} = 5V	-1		1	μA

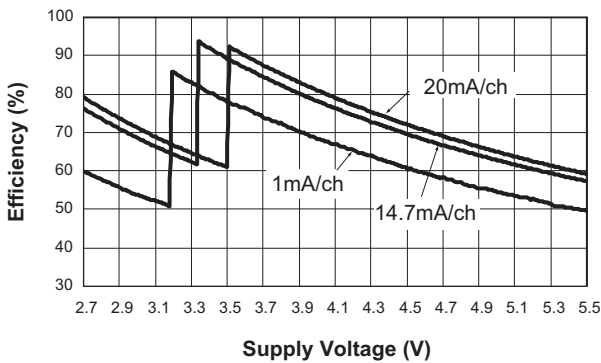
1. The AAT2845 is guaranteed to meet performance specifications over the -40°C to +85°C operating temperature range and is assured by design, characterization, and correlation with statistical process controls.

2. V_{DO} is defined as V_{IN} - LDOA/B when LDOA/B is 98% of nominal.

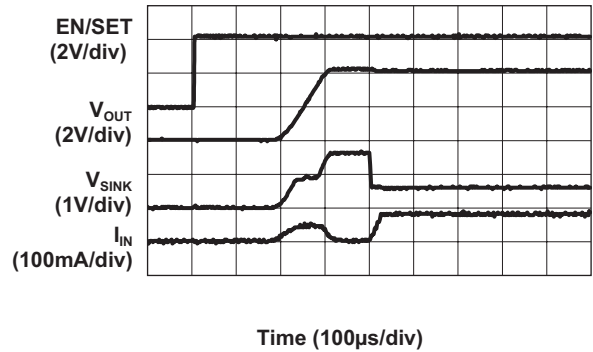
Typical Characteristics

$V_{IN} = 3.6V$; $C_{IN} = C_{OUTA} = C_{OUTB} = 2.2\mu F$; $C_{OUT} = 1\mu F$; $C_1 = C_2 = 1.0\mu F$; $C_{BP} = 0.1\mu F$; $T_A = 25^\circ C$, unless otherwise noted. Typical values are at $T_A = 25^\circ C$.

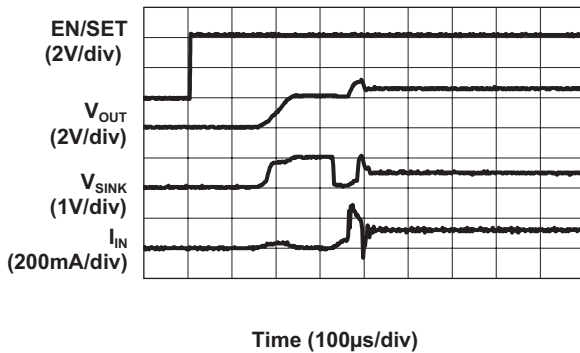
Backlight Efficiency vs. Supply Voltage



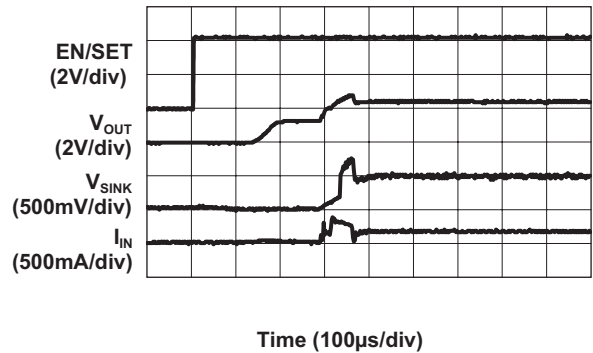
Turn-On to 1X Mode
($V_{IN} = 4.2V$; 20mA/ch Load)



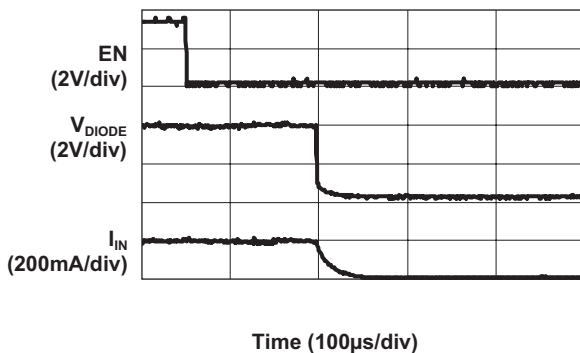
Turn-On to 1.5X Mode
($V_{IN} = 3.5V$; 20mA/ch Load)



Turn-On to 2X Mode
($V_{IN} = 2.8V$; 20mA/ch Load)



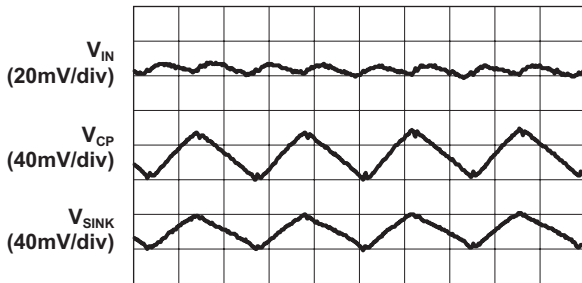
Turn-Off from 1.5X Mode Backlight
(30mA/ch; Data 1)



Typical Characteristics

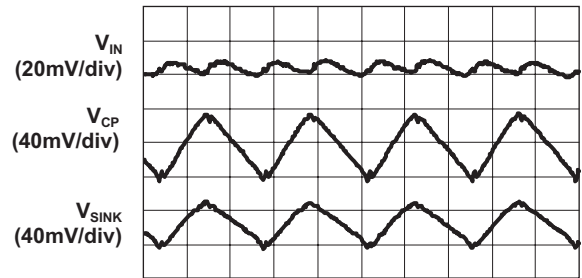
$V_{IN} = 3.6V$; $C_{IN} = C_{OUTA} = C_{OUTB} = 2.2\mu F$; $C_{OUT} = 1\mu F$; $C_1 = C_2 = 1.0\mu F$; $C_{BP} = 0.1\mu F$; $T_A = 25^\circ C$, unless otherwise noted.
 Typical values are at $T_A = 25^\circ C$.

Backlight Operating Characteristic
 $(V_{IN} = 2.9V; 2X \text{ Mode}; 14mA/ch \text{ Load})$



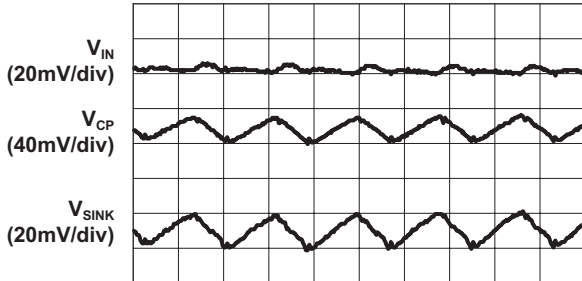
Time (500ns/div)

Backlight Operating Characteristic
 $(V_{IN} = 2.9V; 2X \text{ Mode}; 20mA/ch \text{ Load})$



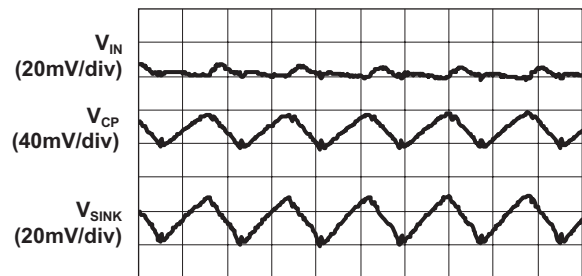
Time (500ns/div)

Backlight Operating Characteristic
 $(V_{IN} = 3.5V; 1.5X \text{ Mode}; 14mA/ch \text{ Load})$



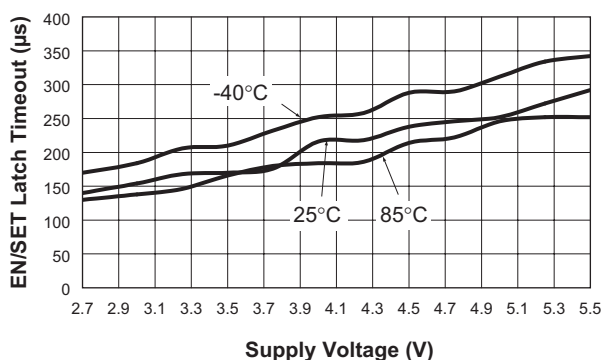
Time (500ns/div)

Backlight Operating Characteristic
 $(V_{IN} = 3.7V; 1.5X \text{ Mode}; 20mA/ch \text{ Load})$

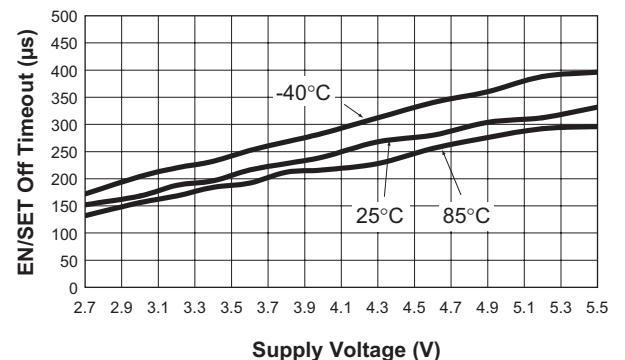


Time (500ns/div)

EN/SET Latch Timeout vs. Supply Voltage



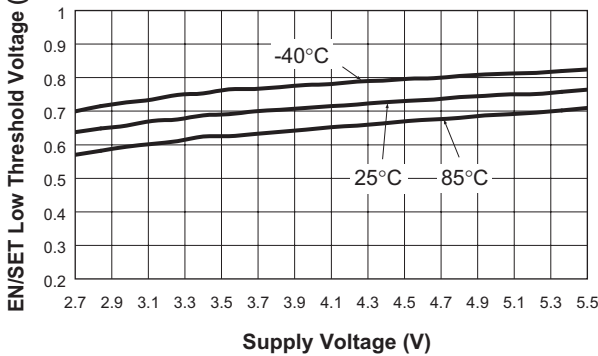
EN/SET Off Timeout vs. Supply Voltage



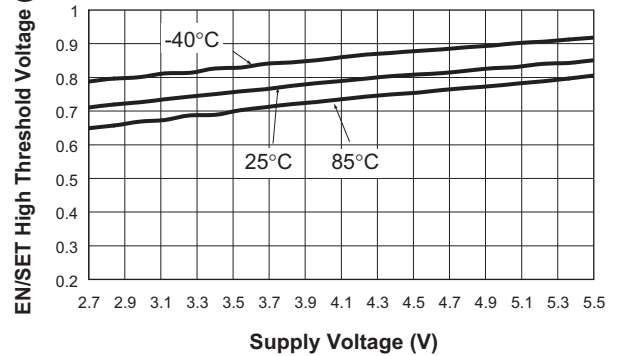
Typical Characteristics

IN = 3.6V; C_{IN} = C_{OUTA} = C_{OUTB} = 2.2μF; C_{OUT} = 1μF; C₁ = C₂ = 1.0μF; C_{BP} = 0.1μF; T_A = 25°C, unless otherwise noted. Typical values are at T_A = 25°C.

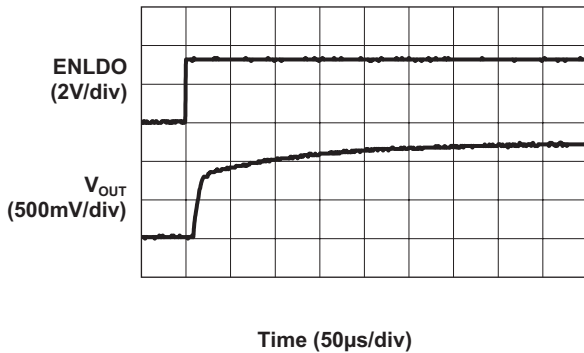
EN/SET and ENLDO Low Threshold Voltage vs. Supply Voltage and Temperature



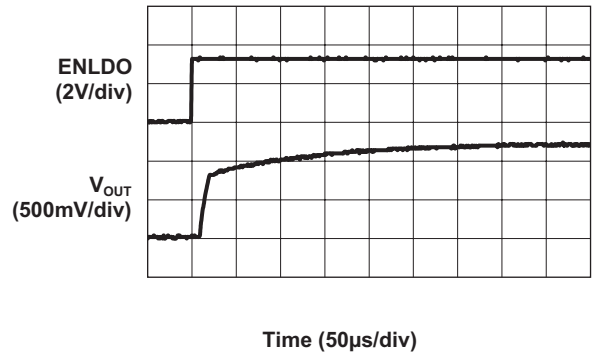
EN/SET and ENLDO High Threshold Voltage vs. Supply Voltage and Temperature



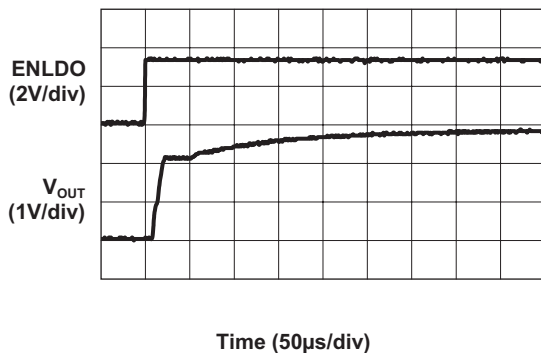
AAT2845-EE LDOA Turn-On Characteristic (V_{OUTA} = V_{FBA})



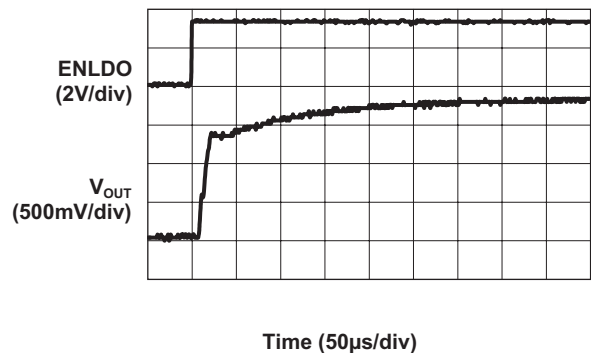
AAT2845-EE LDOB Turn-On Characteristic (V_{OUTB} = V_{FBB})



AAT2845-QG/QI LDOA Turn-On Characteristic (V_{OUTA} = 2.8V)



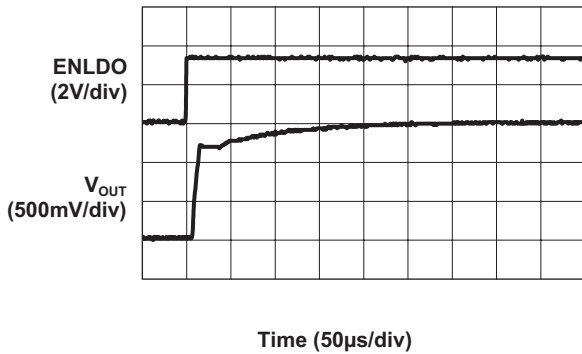
AAT2845-QI LDOB Turn-On Characteristic (V_{OUTB} = 1.8V)



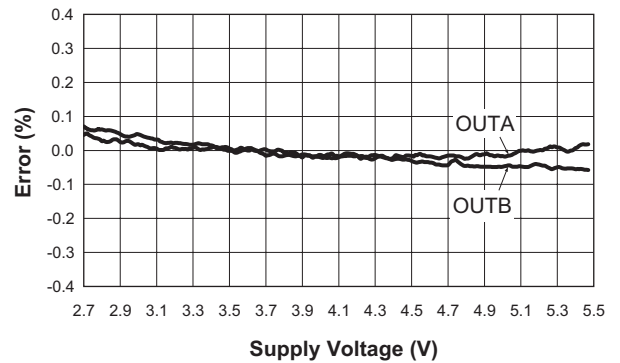
Typical Characteristics

$V_{IN} = 3.6V$; $C_{IN} = C_{OUTA} = C_{OUTB} = 2.2\mu F$; $C_{OUT} = 1\mu F$; $C_1 = C_2 = 1.0\mu F$; $C_{BP} = 0.1\mu F$; $T_A = 25^\circ C$, unless otherwise noted. Typical values are at $T_A = 25^\circ C$.

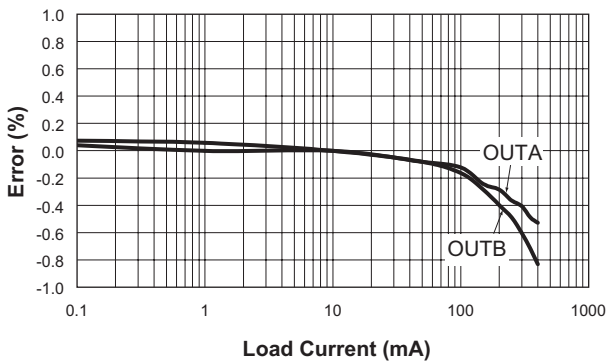
AAT2845-QG LDOB Turn-On Characteristic
($V_{OUTB} = 1.5V$)



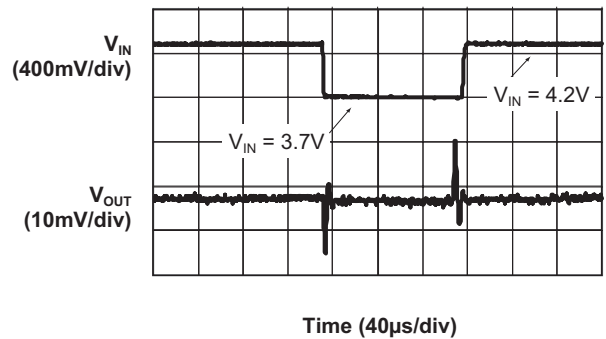
LDOs A and B Line Regulation, All Options
(10mA Load)



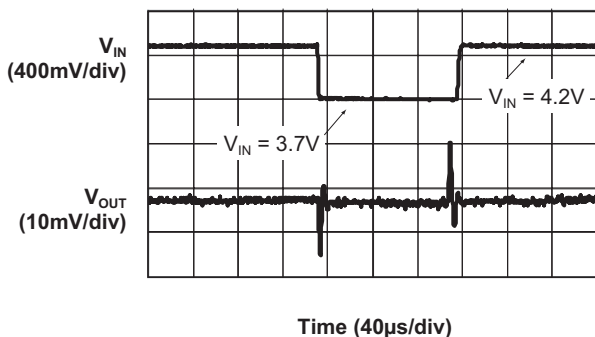
LDOs A and B Load Regulation, All Options



LDOB Line Transient Response, All Options
(10mA Load)



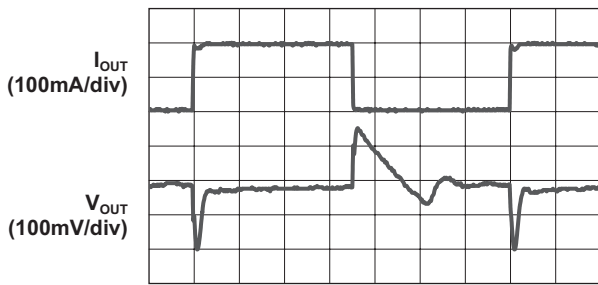
LDOB Line Transient Response, All Options
(10mA Load)



Typical Characteristics

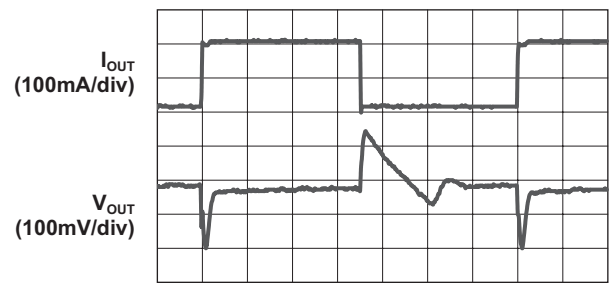
$I_N = 3.6V$; $C_{IN} = C_{OUTA} = C_{OUTB} = 2.2\mu F$; $C_{OUT} = 1\mu F$; $C_1 = C_2 = 1.0\mu F$; $C_{BP} = 0.1\mu F$; $T_A = 25^\circ C$, unless otherwise noted. Typical values are at $T_A = 25^\circ C$.

LDOA Load Transient Response, All Options



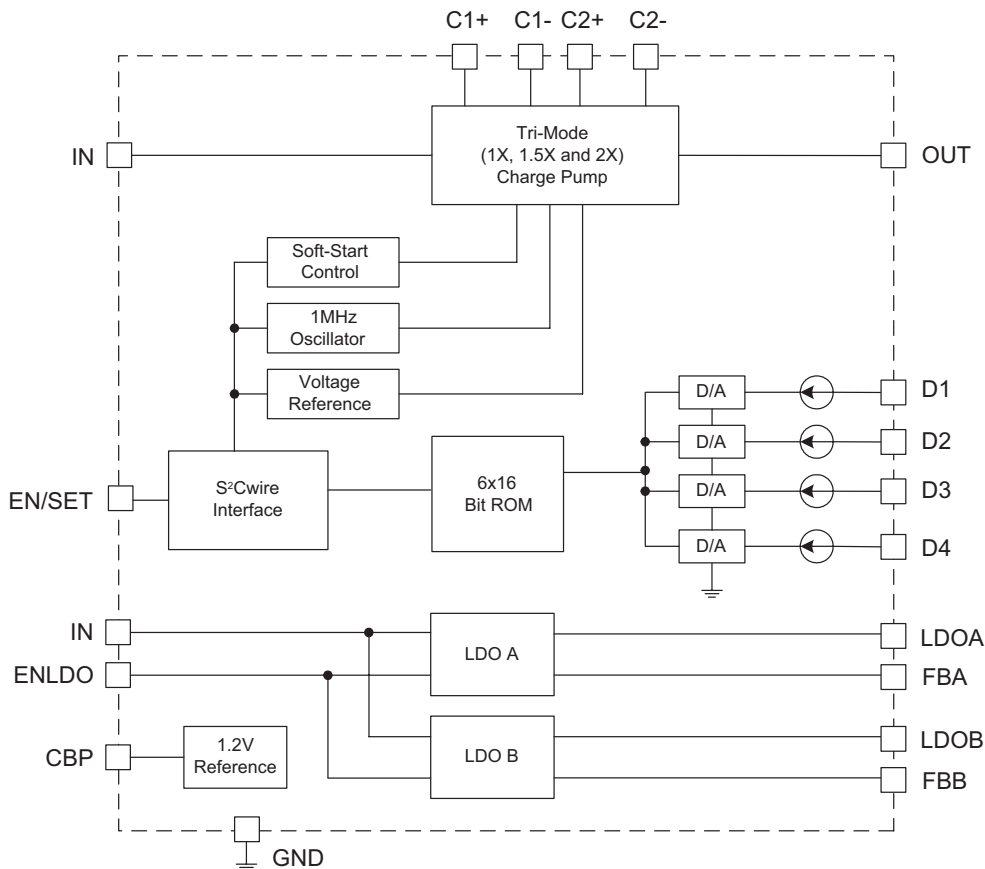
Time (20µs/div)

LDOB Load Transient Response, All Options



Time (20µs/div)

Functional Block Diagram



Functional Description

The AAT2845 is an integrated solution for LCD display applications with a built-in driver for white LED backlight and two LDO voltage regulators for logic power supplies.

The backlight driver is a tri-mode load switch (1X) and high-efficiency (1.5X or 2X) charge pump device. To maximize power conversion efficiency, an internal sensing circuit monitors the voltage required on each constant current sink input and sets the load switch and charge pump modes based on the input battery voltage and the current sink input voltage. As the battery discharges over time, the charge pump is enabled when any of the four current sink inputs nears dropout. The charge pump initially starts in 1.5X mode. If the charge pump output droops enough for any current source output to become close to dropout, the charge pump will automatically transition to 2X mode. The charge pump requires only four external components: two 1 μ F ceramic capacitors for the charge pump flying capacitors (C_1 and C_2), one 1 μ F

ceramic input capacitor (C_{IN}), and one 0.33 μ F to 1 μ F ceramic charge pump output capacitor (C_{OUT}).

The four constant current sink inputs (D1 to D4) can drive four individual LEDs with a maximum current of 20mA each. The unused sink inputs must be connected to the OUT pin; otherwise the part will operate only in 2X charge pump mode. The S²Cwire serial interface enables the charge pump and sets the current sink magnitudes.

Constant Current Output Level Settings

The constant current sink levels for D1 to D4 are set via the S²Cwire serial interface according to a logarithmic scale for the first 12 codes, and a separate low-current scale for the last four codes. Because the inputs D1 to D4 are true independent constant current sinks, the voltage observed on any single given input will be determined by the difference between V_{OUT} and the actual forward voltage (V_F) of the LED being driven.

Since the current level is programmable, no PWM (pulse width modulation) or additional control circuitry is needed to control LED brightness. This feature greatly reduces the burden on a microcontroller or system IC to manage LED or display brightness, allowing the user to “set it and forget it.” With its high-speed serial interface (>1MHz data rate), the LED current drive can be changed successively to brighten or dim LEDs in smooth transitions (e.g., to fade out) or in abrupt steps, giving the user complete programmability and real-time control of LED brightness.

The last four codes of the current level scale engage a reduced quiescent current mode that enhances the low-current setting efficiency. This mode is especially useful for low-current applications where a continuous, low-current state is maintained for a substantial length of time.

S²Cwire Serial Interface

The current sink magnitude is controlled by AnalogicTech’s S²Cwire serial digital input. The interface records rising edges of the EN/SET pin and decodes them into 16 different states. The 16 current level settings available are indicated in Table 1.

Data	Output (mA/Ch)	Data	Output (mA/Ch)
1	20	9	6.0
2	18.9	10	4.2
3	18.0	11	2.9
4	17.0	12	2.0
5	15.7	13	1.0
6	14.8	14	0.53
7	10.2	15	0.10
8	8.0	16	0.05

Table 1: Current Level Settings.

The S²Cwire serial interface has flexible timing. Data can be clocked-in at speeds higher than 1MHz, or much slower, such as 15kHz. After data is applied, EN/SET is held high to latch the data. Once EN/SET has been held in the logic high state for time T_{LAT} (500 μ s), the programmed current becomes active and the internal data register is reset to zero. For subsequent current level

programming, the number of rising edges corresponding to the desired code must be applied on the EN/SET pin. When the EN/SET pin is held low for an amount of time longer than T_{OFF} (500 μ s), the AAT2845 enters shutdown mode and draws less than 1 μ A from the input. An internal data register is reset to zero during shutdown.

Auto-Disable Feature

The charge pump in the AAT2845 is equipped with an auto-disable feature for each LED channel. After the IC is enabled and started up, a test current of 100 μ A (typical) is forced through each sink channel. The channel will be disabled if the voltage of that particular DX pin does not drop to a certain threshold. This feature is convenient for disabling an unused channel or during an LED fail-short event.

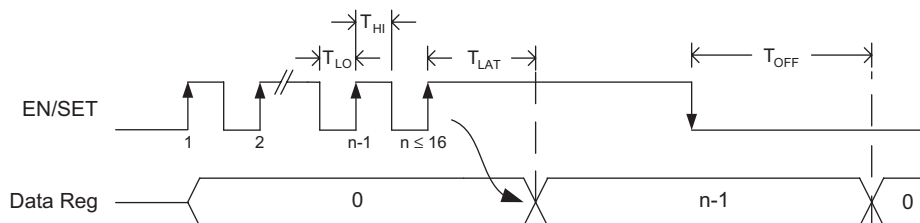
Low Dropout Regulators

The AAT2845 product family includes two LDO linear regulators. The regulators run from the same 2.7V to 5.5V input voltage as the charge pump and have a common ON/OFF control input, ENLDO. For the AAT2845-EE, the LDO output voltages are set through a resistive voltage divider from the output (OUTLDOA or OUTLDOB) to the feedback input (FBA or FBB). The ratio of resistor values determines the LDO output voltage. For the AAT2845-QG option, LDOA is internally set to 2.8V and LDOB is internally set to 1.5V. For the AAT2845-QI option, LDOA is also 2.8V and LDOB is internally set to 1.8V.

The low 200mV dropout voltage at 200mA load current allows the regulator to maintain output voltage regulation. Each LDO regulator can supply a continuous load current up to 200mA, and both LDOs include current limiting and thermal overload protection to prevent damage to the load or to the LDOs.

Thermal Protection

The charge pump has a built-in thermal protection circuit that will shut down the charge pump and the LDOs if the die temperature rises above the thermal limit, as is the case during a short-circuit of the OUT pin.


Figure 1: S²Cwire Serial Interface Timing.

Applications Information

LED Selection

The AAT2845 is specifically intended for driving white LEDs. However, the device design will allow the AAT2845 to drive most types of LEDs with forward voltage specifications ranging from 2.0V to 4.7V. LED applications may include mixed arrangements for display backlighting, color (RGB) LEDs, infrared (IR) diodes, and any other load needing a constant current source generated from a varying input voltage. Since the D1 to D4 constant current sinks are matched with negligible voltage dependence, the constant current channels will be matched regardless of the specific LED forward voltage (V_f) levels.

The low dropout current sinks in the AAT2845 maximize performance and make it capable of driving LEDs with high forward voltages. Multiple channels can be combined to obtain a higher LED drive current without complication.

Device Switching Noise Performance

The AAT2845 operates at a fixed frequency of approximately 1MHz to control noise and limit harmonics that can interfere with the RF operation of cellular telephone handsets or other communication devices. Back-injected noise appearing on the input pin of the charge pump is 20mV peak-to-peak, typically ten times less than inductor-based DC/DC boost converter white LED backlight solutions. The AAT2845 soft-start feature prevents noise transient effects associated with inrush currents during start-up of the charge pump circuit.

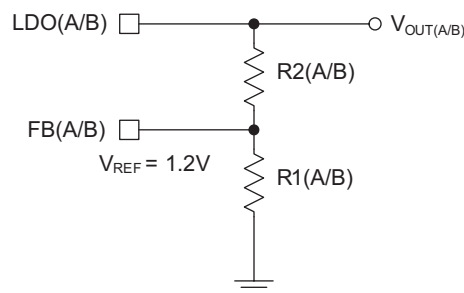
Shutdown

Since the sink switches are the only power returns for all loads, there is no leakage current when all of the sink switches are disabled. To activate the shutdown mode, hold the EN/SET input low for longer than T_{OFF} (500 μ s). In this state, the AAT2845 typically draws less than 1 μ A from the input. Data and address registers are reset to 0 in shutdown.

AAT2845-EE LDO Output Voltage Programming

The output voltages for LDOA and LDOB are programmed by an external resistor divider network. As shown below, the selection of R1 and R2 is a straightforward matter.

R1 is chosen by considering the tradeoff between the feedback network bias current and resistor value. Higher resistor values allow stray capacitance to become a larger factor in circuit performance, whereas lower resistor values increase bias current and decrease efficiency.


Figure 2: Selection of External Resistors.

To select appropriate resistor values, first choose R1 such that the feedback network bias current is reasonable. Then, according to the desired V_{OUT} , calculate R2 according to the equation below. An example calculation follows.

R1 is chosen to be 120K, resulting in a small feedback network bias current of $1.2V/120K = 10\mu A$. The desired output voltage is 1.8V. From this information, R2 is calculated from the equation below.

$$R2 = \frac{R1(V_{OUT} - 1.2V)}{1.2V}$$

The result is $R2 = 60K$. Since 60K is not a standard 1% value, 60.4K is selected. From this example calculation, for $V_{OUT} = 1.8V$, use $R1 = 120K$ and $R2 = 60.4K$. A table of example output voltages and corresponding resistor values is provided below.

R2 Standard 1% Values (R1 = 120K)	
V _{OUT} (V)	R2 (Ω)
2.8	160K
2.5	130K
2.0	79.6K
1.8	60.4K
1.5	30.1K

Table 2: Example Output Voltages and Corresponding Resistor Values

Power Efficiency and Device Evaluation

The charge pump efficiency discussion in the following sections accounts only for efficiency of the charge pump section itself. Due to the unique circuit architecture and design of the AAT2845, it is very difficult to measure efficiency in terms of a percent value comparing input power over output power.

Since the AAT2845 outputs are pure constant current sinks and typically drive individual loads, it is difficult to measure the output voltage for a given output (D1 to D4) to derive an overall output power measurement. For any given application, white LED forward voltage levels can differ, yet the output drive current will be maintained as a constant.

This makes quantifying output power a difficult task when taken in the context of comparing to other white LED driver circuit topologies. A better way to quantify total device efficiency is to observe the total input power to the device for a given LED current drive level. The best white LED driver for a given application should be based on trade-offs of size, external component count, reliability, operating range, and total energy usage...*not just % efficiency.*

The AAT2845 efficiency may be quantified under very specific conditions and is dependent upon the input voltage versus the output voltage seen across the loads applied to outputs D1 through D4 for a given constant current setting. Depending on the combination of V_{IN} and voltages sensed at the current sinks, the device will operate in load switch mode. When any one of the voltages sensed at the current sinks nears dropout, the device will operate in 1.5X or 2X charge pump mode. Each of these modes will yield different efficiency values. Refer to the following two sections for explanations for each operational mode.

1X Mode Efficiency

The AAT2845 1X mode is operational at all times and functions alone to enhance device power conversion efficiency when V_{IN} is higher than the voltage across the load. When in 1X mode, voltage conversion efficiency is defined as output power divided by input power:

$$\eta = \frac{P_{OUT}}{P_{IN}}$$

The expression to define the ideal efficiency (η) can be rewritten as:

$$\eta = \frac{P_{OUT}}{P_{IN}} = \frac{V_{OUT} \cdot I_{OUT}}{V_{IN} \cdot I_{OUT}} = \frac{V_{OUT}}{V_{IN}}$$

-or-

$$\eta(\%) = 100 \left(\frac{V_{OUT}}{V_{IN}} \right)$$

1.5X and 2X Charge Pump Mode Efficiency

The AAT2845 contains a fractional charge pump which will boost the input supply voltage in the event where V_{IN} is less than the voltage required to supply the output. The efficiency (η) can be simply defined as a linear voltage regulator with an effective output voltage that is equal to one and one half or two times the input voltage. Efficiency (η) for an ideal 1.5X charge pump can typically be expressed as the output power divided by the input power.

$$\eta = \frac{P_{OUT}}{P_{IN}}$$

In addition, with an ideal 1.5X charge pump, the output current may be expressed as 2/3 of the input current.

The expression to define the ideal efficiency (η) can be rewritten as:

$$\eta = \frac{P_{OUT}}{P_{IN}} = \frac{V_{OUT} \cdot I_{OUT}}{V_{IN} \cdot 1.5I_{OUT}} = \frac{V_{OUT}}{1.5V_{IN}}$$

-or-

$$\eta(\%) = 100 \left(\frac{V_{OUT}}{1.5V_{IN}} \right)$$

For a charge pump with an output of 5V and a nominal input of 3.5V, the theoretical efficiency is 95%. Due to internal switching losses and IC quiescent current consumption, the actual efficiency can be measured at 93%. These figures are in close agreement for output load conditions from 1mA to 100mA. Efficiency will decrease substantially as load current drops below 1mA or when the voltage level at V_{IN} approaches the voltage level at V_{OUT} .

The same calculations apply for 2X mode, where the output current then becomes 1/2 of the input current.

Capacitor Selection

Careful selection of the four external capacitors C_{IN} , C_1 , C_2 , and C_{OUT} is important because they will affect turn-on time, output ripple, and transient performance. Optimum performance will be obtained when low equivalent series resistance (ESR) ceramic capacitors are used; in general, low ESR may be defined as less than 100m Ω . A value of 1 μ F for all four capacitors is a good starting point when choosing capacitors. If the constant current sinks are only programmed for light current levels, then the capacitor size may be decreased.

Capacitor Characteristics

Ceramic composition capacitors are highly recommended over all other types of capacitors for use with the AAT2845. Ceramic capacitors offer many advantages over their tantalum and aluminum electrolytic counterparts. A ceramic capacitor typically has very low ESR, is lowest cost, has a smaller PCB footprint, and is non-polarized. Low ESR ceramic capacitors help maximize charge pump transient response. Since ceramic capacitors are non-polarized, they are not prone to incorrect connection damage.

Equivalent Series Resistance

ESR is an important characteristic to consider when selecting a capacitor. ESR is a resistance internal to a capacitor that is caused by the leads, internal connections, size or area, material composition, and ambient

temperature. Capacitor ESR is typically measured in milliohms for ceramic capacitors and can range to more than several ohms for tantalum or aluminum electrolytic capacitors.

Ceramic Capacitor Materials

Ceramic capacitors less than 0.1 μ F are typically made from NPO or C0G materials. NPO and C0G materials generally have tight tolerance and are very stable over temperature. Larger capacitor values are usually composed of X7R, X5R, Z5U, or Y5V dielectric materials. Large ceramic capacitors (i.e., larger than 2.2 μ F) are often available in low-cost Y5V and Z5U dielectrics, but capacitors larger than 1 μ F are not typically required for AAT2845 applications.

Capacitor area is another contributor to ESR. Capacitors that are physically large will have a lower ESR when compared to an equivalent material smaller capacitor. These larger devices can improve circuit transient response when compared to an equal value capacitor in a smaller package size.

Evaluation Board User Interface

The user interface for the AAT2845 evaluation board is provided by three buttons and two connection terminals. The board is operated by supplying external power and pressing individual buttons or button combinations. The table below indicates the function of each button or button combination.

To power-on the evaluation board, connect a power supply or battery to the DC- and DC+ terminals. Close the board's supply connection by positioning the J1 jumper to the ON position. A red LED indicates that power is applied.

The evaluation board is made flexible so that the user can disconnect the enable lines from the microcontroller and apply external enable signals. By removing the jumpers from J2, and/or J3, external enable signals can be applied to the board. External enable signals must be applied to the ON pin of each J2, or J3 terminal.

When applying external enable signals, consideration must be given to the voltage levels. The externally applied voltages should not exceed the supply voltage that is applied to the IN pins of the device (DC+).

The LDO loads can be connected directly to the evaluation board. For adequate performance, be sure to connect the load between OUTA/OUTB and DC- as opposed to some other GND in the system.

Evaluation Board Layout

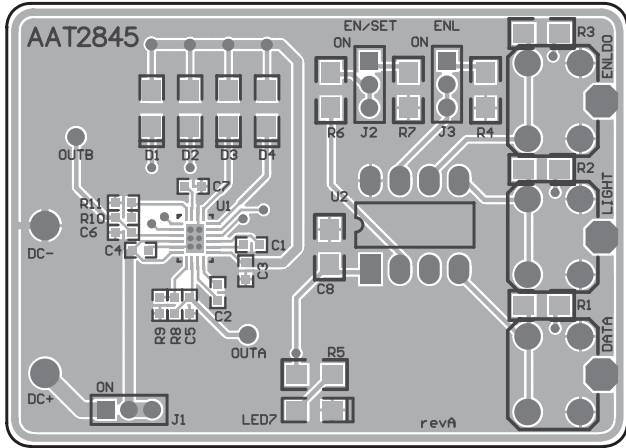


Figure 3: AAT2845 Evaluation Board Top Layer.

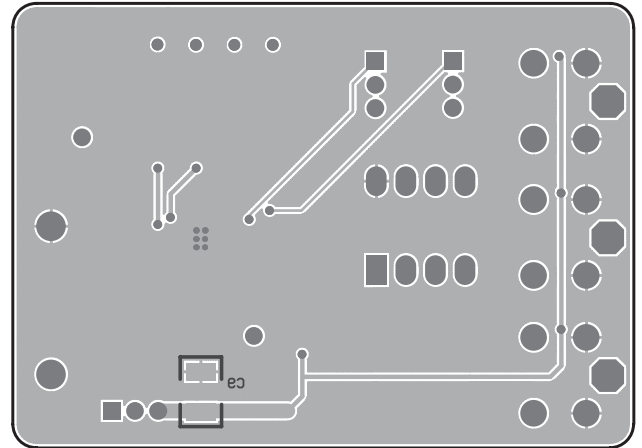


Figure 4: AAT2845 Evaluation Board Bottom Layer.

Button(s) Pushed ¹	Description
DATA	Increment the backlight data setting. Hold down the button to auto-cycle through the brightness levels.
LIGHT	Toggle ON/OFF the backlighting section. Set the brightness level using the DATA button.
LIGHT+DATA	Decrement the backlight data setting. Hold down to auto-cycle.
ENLDO	Toggle ON/OFF the LDOs.
DATA+LIGHT+ENLDO	Reset. Clear data and bring all enable lines low.

Table 3: Evaluation Board User Interface.

1. The "+" indicates that these buttons are pressed and released together.

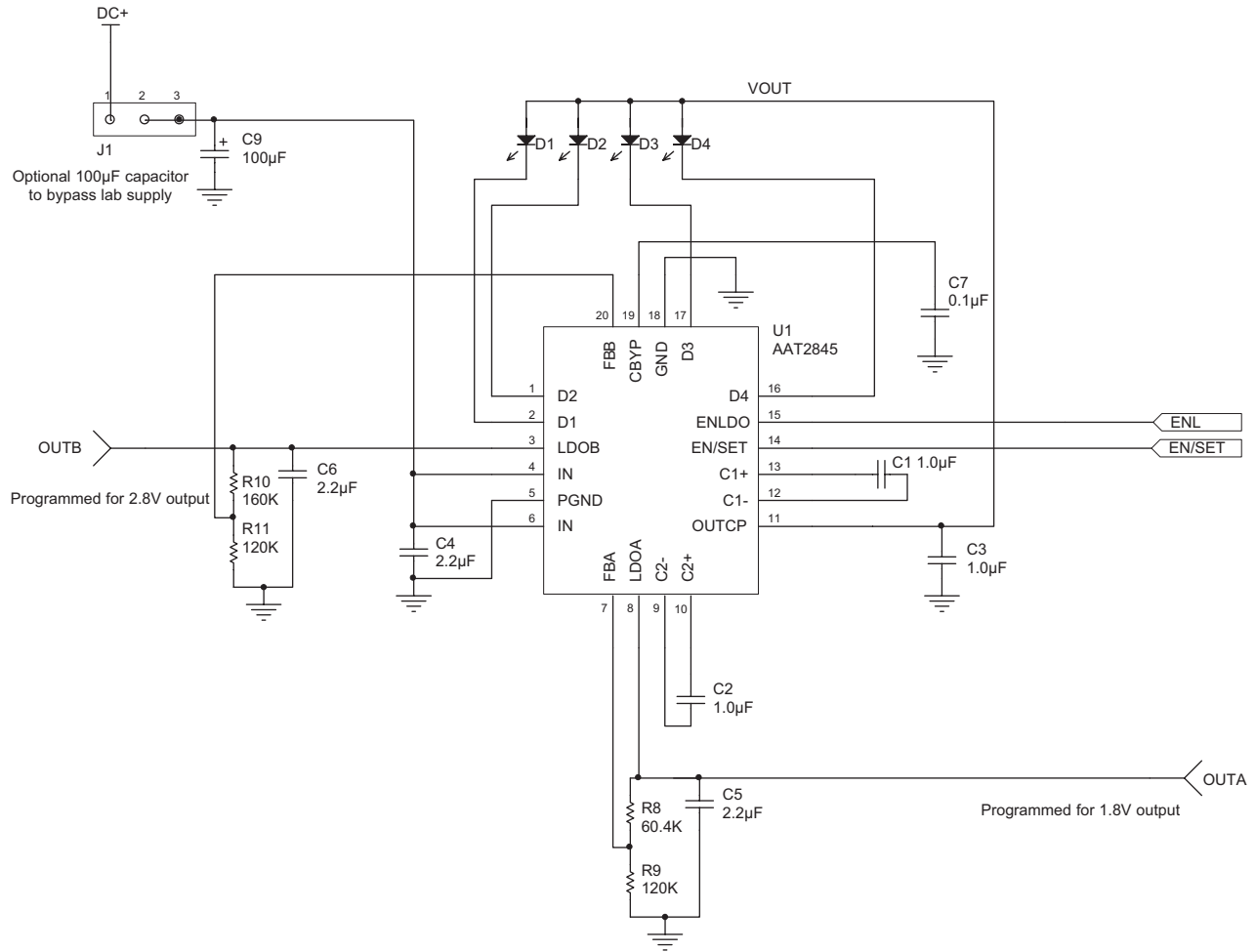
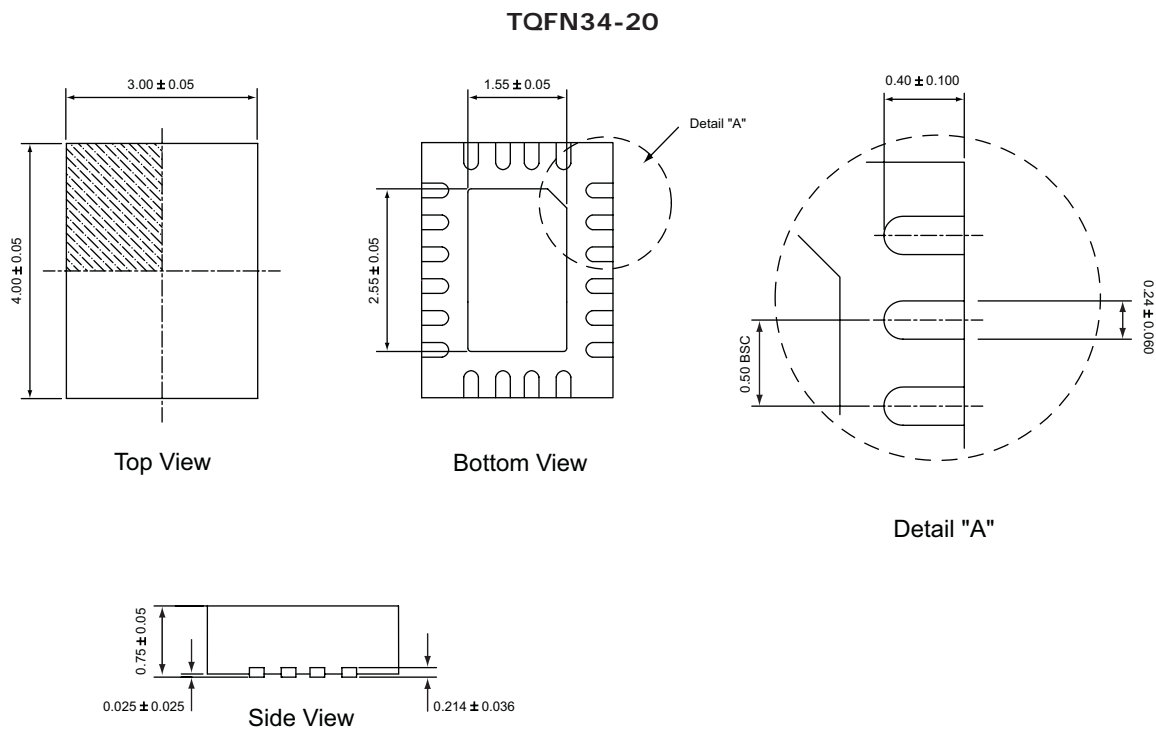


Figure 5: AAT2845-EE Section Schematic.

Ordering Information

Package	Low Dropout Regulators		Marking	Part Number (Tape and Reel)
	LDOA	LDOB		
TQFN34-20	Programmable	Programmable	UHXYY	AAT28451ML-EE-T1
TQFN34-20	2.8V	1.5V	XEXYY	AAT28451ML-QG-T1
TQFN34-20	2.8V	1.8V	XFXYY	AAT28451ML-QI-T1

Package Information³



All dimensions in millimeters.

1. XYY = assembly and date code.
2. Sample stock is generally held on part numbers listed in **BOLD**.
3. The leadless package family, which includes QFN, TQFN, DFN, TDFN and STDFN, has exposed copper (unplated) at the end of the lead terminals due to the manufacturing process. A solder fillet at the exposed copper edge cannot be guaranteed and is not required to ensure a proper bottom solder connection.

Advanced Analogic Technologies, Inc.
 3230 Scott Boulevard, Santa Clara, CA 95054
 Phone (408) 737-4600
 Fax (408) 737-4611



© Advanced Analogic Technologies, Inc. AnalogicTech cannot assume responsibility for use of any circuitry other than circuitry entirely embodied in an AnalogicTech product. No circuit patent licenses, copyrights, mask work rights, or other intellectual property rights are implied. AnalogicTech reserves the right to make changes to their products or specifications or to discontinue any product or service without notice. Except as provided in AnalogicTech's terms and conditions of sale, AnalogicTech assumes no liability whatsoever, and AnalogicTech disclaims any express or implied warranty relating to the sale and/or use of AnalogicTech products including liability or warranties relating to fitness for a particular purpose, merchantability, or infringement of any patent, copyright or other intellectual property right. In order to minimize risks associated with the customer's applications, adequate design and operating safeguards must be provided by the customer to minimize inherent or procedural hazards. Testing and other quality control techniques are utilized to the extent AnalogicTech deems necessary to support this warranty. Specific testing of all parameters of each device is not necessarily performed. AnalogicTech and the AnalogicTech logo are trademarks of Advanced Analogic Technologies Incorporated. All other brand and product names appearing in this document are registered trademarks or trademarks of their respective holders.