

Compatible with Eu Directive  
 2002/EC - RoHS



## ACT HC49/US-SMX (Custom Packages)

The ACT HC49/US-SMX is one of the most cost effective and popular surface mount crystals available. With it's wide range of frequencies, stabilities and operating temperatures it is still small enough to fit most applications including many hand held units and is the economical solution for automatic assembly. With it's available tight tolerances / stabilities and available operating temperature ranges, the HC49/US-SMX is a favoured choice in many applications, including Communications, Industrial Controls, Microprocessor Systems, Vending, Security and Access Control.

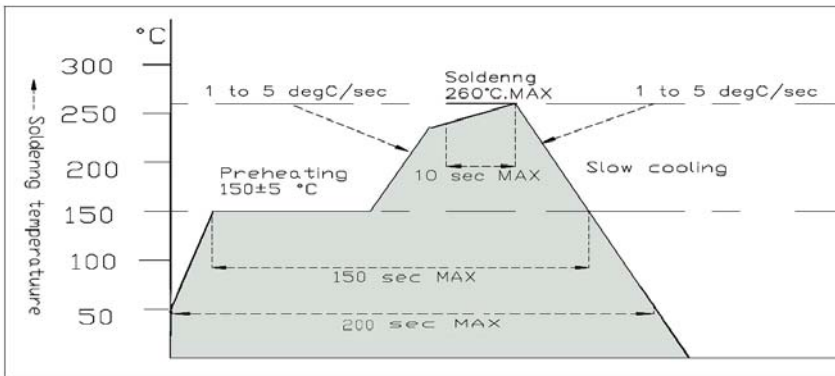
### Specification

Parameter	Symbol	Specification	Condition
Frequency Range	fo	3.00 ~ 100.00MHz	Fundamental & 3rd O/T
Frequency Tol.	$\Delta f/fo$	$\pm 10 \sim \pm 100$ ppm	@25°C (see note 1 for $< \pm 10$ )
Stability over Temp Range	Tc	$\pm 5 \sim \pm 100$ ppm	Dependent on temperature
Temp Operating Range	Topr	-10 ~ +60°C Typ	Others available, please enquire.
Temp Storage Range	Tstg	-40 ~ +85°C	
Equivalent Series Resistance	ESR	See table below	
Shunt Capacitance	CO	7pFmax	
Load Capacitance	CL	10 ~ 55pF & SR	Please specify
Drive Level	DL max	50 $\mu$ W typ	Others available, please enquire.
Drive Level Dependency	DLD	Rmax/Rmin $\leq 1.3$ Flmax/Flmin $\leq 1.3$	0.01, 0.1, 1, 10, 50, 100 $\mu$ W steps
Insulation Resistance	IR	500M $\Omega$	min at 100Vdc
Aging	Fa	$\pm 5$ ppm per year @25°C	Others available, please enquire.

**Note 1** For packages BM (H=3.8mm) and PO (H=4.2mm) Frequency Tolerance starts at  $\pm 5$ ppm

Frequency (MHz)	ESR ( $\Omega$ ) max	Mode	Frequency (MHz)	ESR ( $\Omega$ ) max	Mode
3.000 ~ 4.199	180	AT Fund	12.000 ~ 13.999	60	AT Fund
4.200 ~ 4.499	130	AT Fund	14.000 ~ 16.999	50	AT Fund
4.500 ~ 5.999	100	AT Fund	17.000 ~ 35.999	35	AT Fund
6.000 ~ 7.999	90	AT Fund	36.000 ~ 40.000	25	AT Fund
8.000 ~ 9.999	70	AT Fund	20.000 ~ 40.00	40	BT Fund
10.00 ~ 11.999	60	AT Fund	24.000 ~ 100.00	100	3rd Overtone

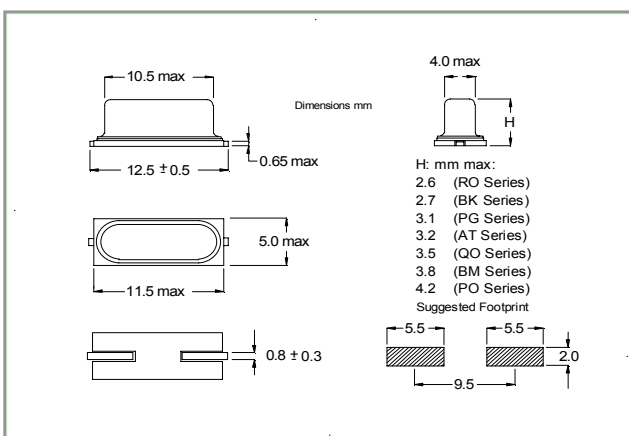
### Recommended maximum re-flow profile



### Standard Frequencies

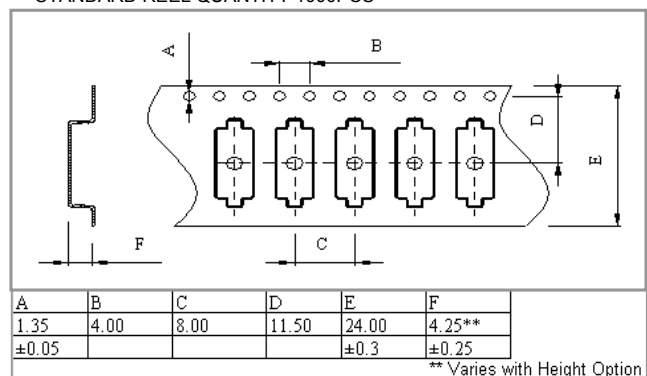
3.579545	7.680	14.7456	22.1184
3.6864	8.192	15.000	22.5792
4.000	9.000	16.660	23.040
4.096	9.8304	16.670	24.000
4.9152	10.000	16.9344	25.000
5.000	10.240	17.734475	27.000
6.000	11.000	18.000	28.625
6.144	11.0592	18.432	28.636363
6.5539	12.000	19.6608	33.330
6.605	12.288	20.000	40.000
6.750	13.560	20.00014	48.000
7.3728	14.31818	22.080	50.000

### HC49US SMX OUTLINE DIMENSIONS



### HC49US SMX TAPE DIMENSIONS (mm)

STANDARD REEL QUANTITY 1000PCS



Please note that all parameters can not necessarily be specified in the same device

Customer to specify : Frequency Tolerance, Operating Temperature, Temperature Stability, Load Capacitance & Mode/cut

In line with our ongoing policy of product evolution and improvement, the above specification may be subject to change without notice

ISO9001:2000 Registered

For quotations or further information please contact us at:  
 3 The Business Centre, Molly Millars Lane, Wokingham, Berkshire, RG41 2EY, UK

<http://www.actcrystals.com>

1 of 1

Issue : 7C1A/F/H3

Date : 14/12/06