

# SMD 434.00 MHz SAW FILTER

AFS434.0W02-TD01

\*RoHS COMPLIANT



11.3 x 4.8 x 3.5mm

## STANDARD SPECIFICATIONS:

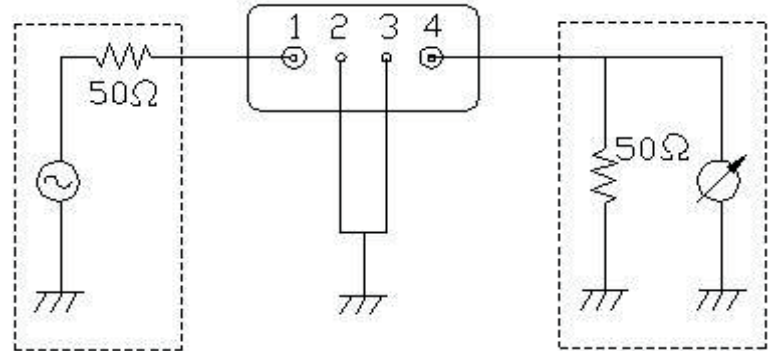
| CHARACTERISTICS             | UNIT  | MIN. | TYP.           | MAX. |
|-----------------------------|-------|------|----------------|------|
| Center Frequency (fo)       | MHz   | -    | 434.0          | -    |
| Insertion Loss (passband)   | MHz   | -    | -              | 4.5  |
| Passband Width              | MHz   | -    | fo±2.0         | -    |
| Ripple Deviation (passband) | dB    |      |                | 2.0  |
| Stop Band Suppression       |       |      |                |      |
| fo - 100 ~ fo - 40.8MHz     | dB    | 50   | -              | -    |
| fo + 40.8MHz ~ fo + 100MHz  | dB    | 50   | -              | -    |
| Terminating Impedance       | Ω//pF | -    | 50//0          | -    |
| DC Permissive Voltage       | V     |      | 10             |      |
| Operating Temperature Range | °C    |      | -10°C to +50°C |      |
| Storage Temperature Range   | °C    |      | -40°C to +85°C |      |
| Maximum Input Power         | dBm   |      | 0              |      |

## MARKING:

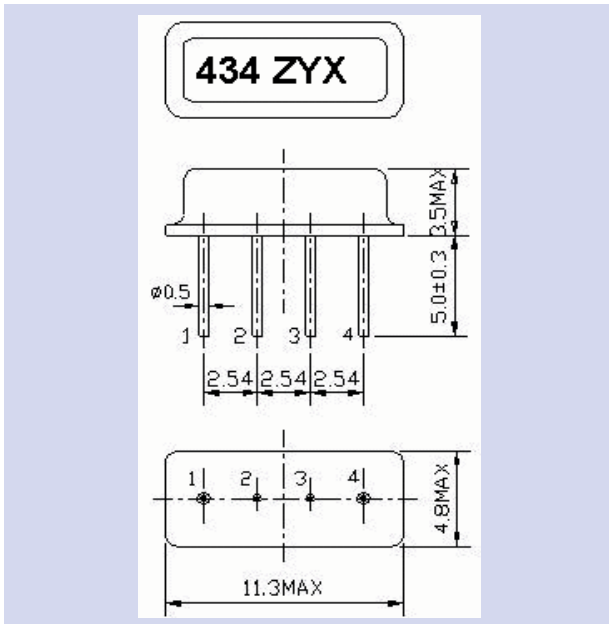
- 434 (Frequency in MHz)
- ZYX (ZY: Date code Z for month from A to L; Y for year, i.e. 4 for 2004; X: Traceability code)

| PIN NO. | CONNECTIONS |
|---------|-------------|
| 1       | Input       |
| 2       | Ground      |
| 3       | Ground      |
| 4       | Output      |

## TEST CIRCUIT:



## DRAWING:



## FREQUENCY CHARACTERISTICS:

