

# SHOULDER

## SPECIFICATION

|              |                |
|--------------|----------------|
| <b>Item:</b> | Ceramic Filter |
| <b>Type:</b> | LTS...W        |

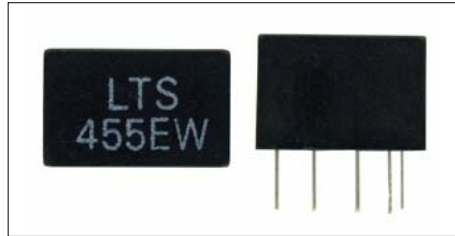




## LTS...W

### Scope

This specification shall cover the characteristics of the XT...MB Ceramic Filter.



Ceramic Filters LTM 455/450W Series are miniaturized versions of the CFU/CFWS lines. These compact, highly selective characteristics are recommended for use in applications ranging from two-way radio to auxiliary filters in high class transceivers. These ultra-miniature versions consume approximately 40% less volume while still offering the same high performance characteristics.

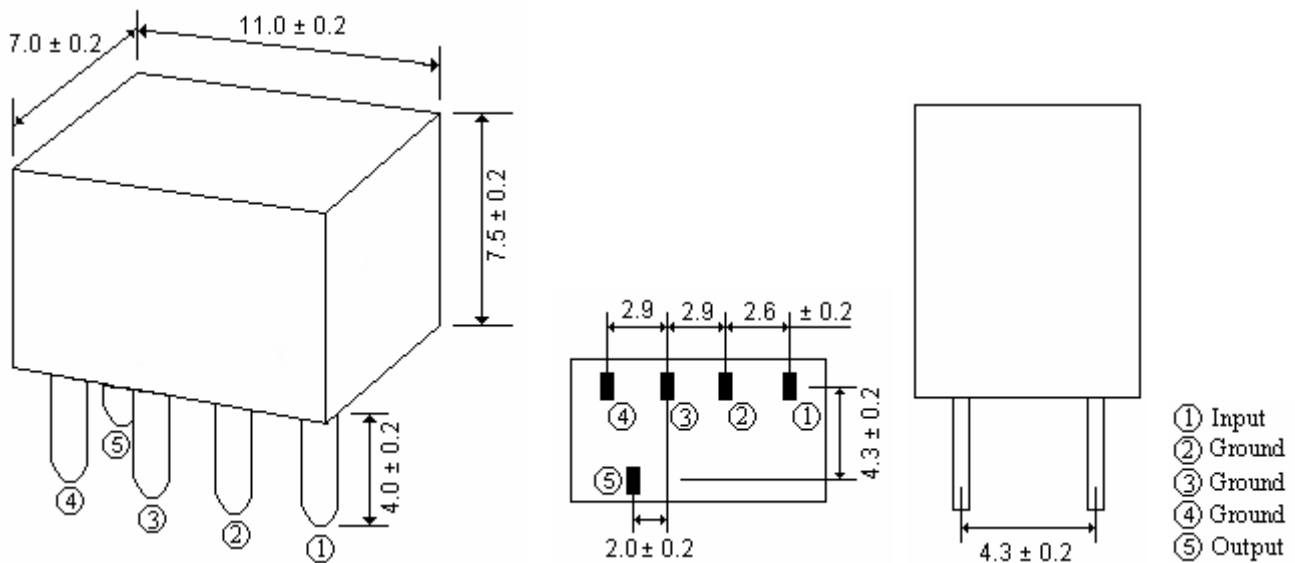
**Table 1**

| Part Number | Center Frequency In (KHz) | Insertion Loss (dB) | Pass Band Ripple (dB) max | 6dB Bandwidth (KHz) min | 50dB Bandwidth (KHz) min | Stop Band Att. 10KHz (dB) min | Input/Output Impedance ( $\Omega$ ) |
|-------------|---------------------------|---------------------|---------------------------|-------------------------|--------------------------|-------------------------------|-------------------------------------|
| LTS450BW    | 450 $\pm$ 2.0             | 4                   | 2                         | $\pm$ 15                | $\pm$ 30                 | 45                            | 1500                                |
| LTS455BW    | 455 $\pm$ 2.0             | 4                   | 2                         | $\pm$ 15                | $\pm$ 30                 | 45                            | 1500                                |
| LTS450CW    | 450 $\pm$ 2.0             | 4                   | 2                         | $\pm$ 12.5              | $\pm$ 24                 | 45                            | 1500                                |
| LTS455CV    | 455 $\pm$ 2.0             | 4                   | 2                         | $\pm$ 12.5              | $\pm$ 24                 | 45                            | 1500                                |
| LTS450DW    | 450 $\pm$ 1.5             | 4                   | 2                         | $\pm$ 10                | $\pm$ 20                 | 45                            | 1500                                |
| LTS455DW    | 455 $\pm$ 1.5             | 4                   | 2                         | $\pm$ 10                | $\pm$ 20                 | 45                            | 1500                                |
| LTS450EW    | 450 $\pm$ 1.5             | 6                   | 2                         | $\pm$ 7.5               | $\pm$ 15                 | 45                            | 1500                                |
| LTS455EW    | 455 $\pm$ 1.5             | 6                   | 2                         | $\pm$ 7.5               | $\pm$ 15                 | 45                            | 1500                                |
| LTS450FW    | 450 $\pm$ 1.5             | 6                   | 2                         | $\pm$ 6                 | $\pm$ 12.5               | 45                            | 2000                                |
| LTS455FW    | 455 $\pm$ 1.5             | 6                   | 2                         | $\pm$ 6                 | $\pm$ 12.5               | 45                            | 2000                                |
| LTS450GW    | 450 $\pm$ 1.5             | 6                   | 2                         | $\pm$ 4.5               | $\pm$ 10                 | 45                            | 2000                                |
| LTS455GW    | 455 $\pm$ 1.5             | 6                   | 2                         | $\pm$ 4.5               | $\pm$ 10                 | 45                            | 2000                                |
| LTS450HW    | 450 $\pm$ 1.0             | 6                   | 2                         | $\pm$ 3                 | $\pm$ 9                  | 45                            | 2000                                |
| LTS455HW    | 455 $\pm$ 1.0             | 6                   | 2                         | $\pm$ 3                 | $\pm$ 9                  | 45                            | 2000                                |
| LTS450IW    | 450 $\pm$ 1.0             | 6                   | 2                         | $\pm$ 2                 | $\pm$ 7.5                | 45                            | 2000                                |
| LTS455IW    | 455 $\pm$ 1.0             | 6                   | 2                         | $\pm$ 2                 | $\pm$ 7.5                | 45                            | 2000                                |
| LTS450HTW   | 450 $\pm$ 1.0             | 6                   | 2                         | $\pm$ 3                 | $\pm$ 9                  | 60                            | 2000                                |
| LTS455HTW   | 455 $\pm$ 1.0             | 6                   | 2                         | $\pm$ 3                 | $\pm$ 9                  | 60                            | 2000                                |

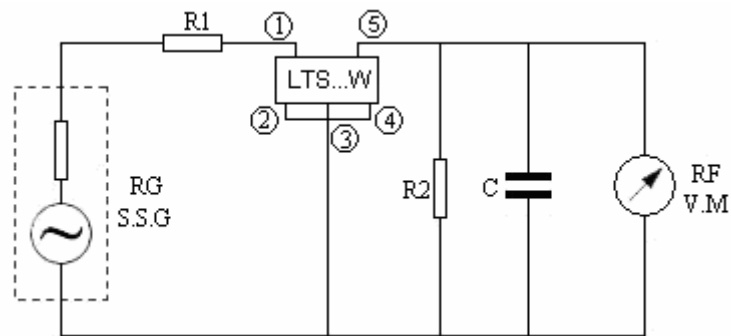


LTS...W

## Mechanical Dimensions (All in mm) LTS...W

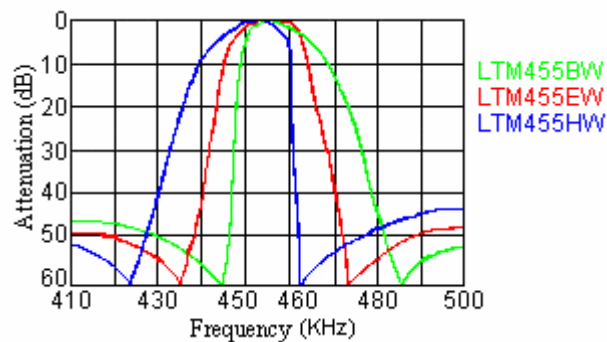


## Test Circuit LTS...W



$R_g + R1 = R2 = \text{Input/Output Impedance}$

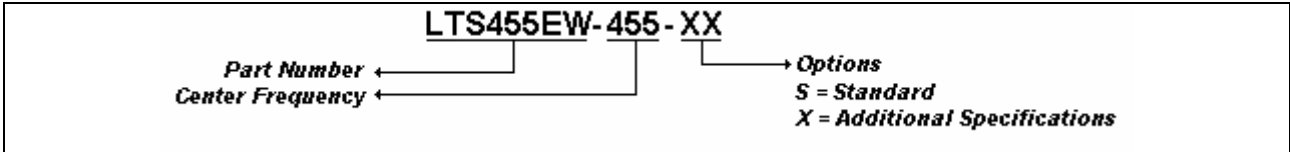
## Series Characteristics LTS...W





## LTS...W

### Through Hole Ceramic Filter Part Numbering System (Example)



| LTS455EW      | 455                       | S   |
|---------------|---------------------------|---|
| ↕             | ↕                         | ↕   |
| Part Number   | Center Frequency In (KHz) | Option (can be blank)                         |
| See Table (1) | See Table (1)             | S = Standard<br>X = Additional Specifications |