

M66280FP

5120 × 8-Bit Line Memory

REJ03F0253-0200
Rev.2.00
Sep 14, 2007

Description

The M66280FP is high speed line memory that uses high performance silicon gate CMOS process technology and adopts the FIFO (First In First Out) structure consisting of 5120 words × 8 bits.

The M66280FP, performing reading and writing operations at different cycles independently and asynchronously, is optimal for buffer memory to be used between equipment of different data processing speeds.

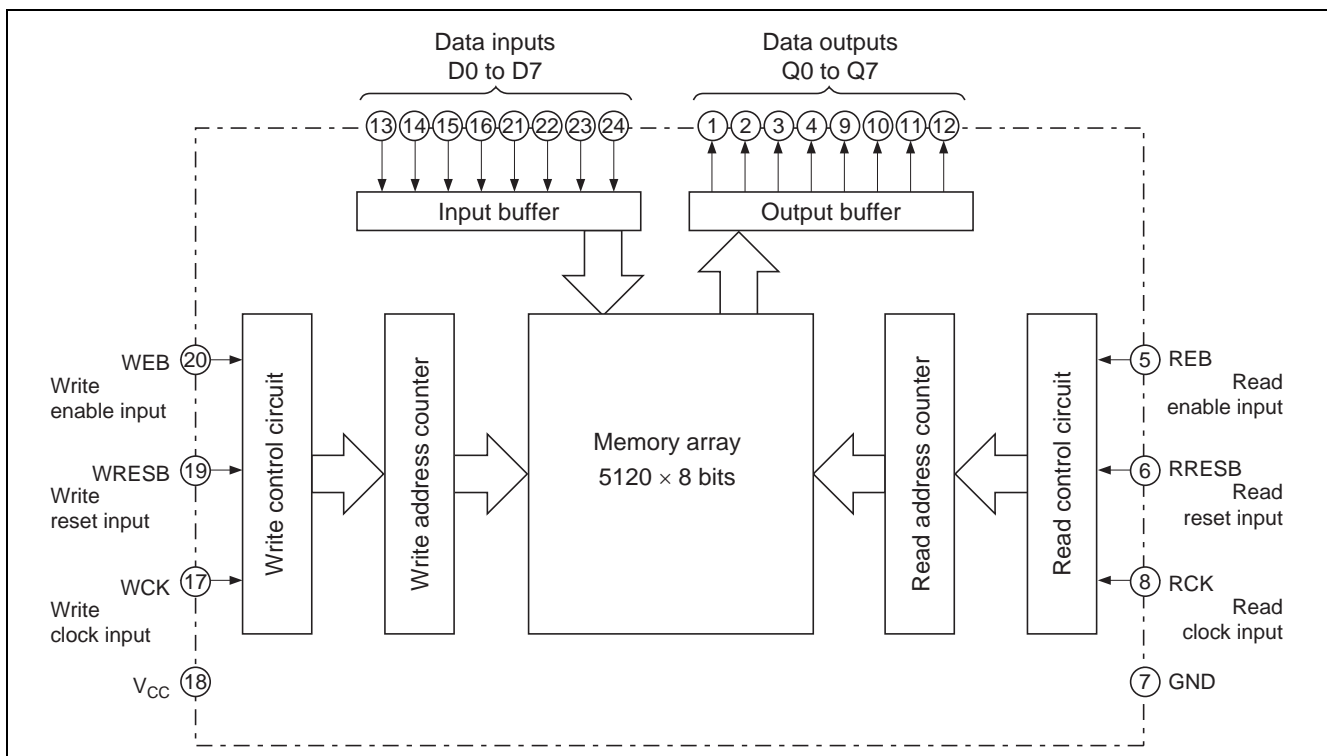
Features

- Memory configuration: 5120 words × 8 bits (dynamic memory)
- High speed cycle: 25 ns (Min)
- High speed access: 18 ns (Max)
- Output hold: 3 ns (Min)
- Reading and writing operations can be completely carried out independently and asynchronously
- Variable length delay bit
- Input/output: TTL direct connection allowable
- Output: 3 states

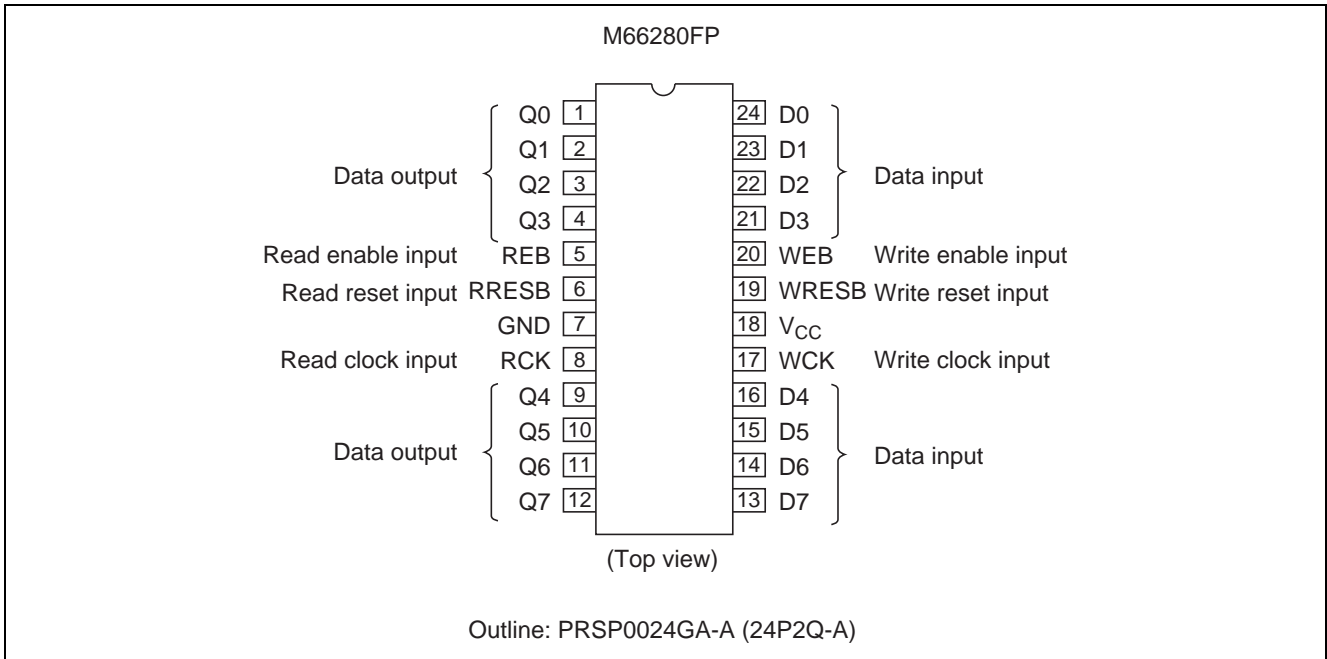
Application

Digital copying machine, laser beam printer, high speed facsimile, etc.

Block Diagram



Pin Arrangement



Absolute Maximum Ratings

(Ta = 0 to 70°C, unless otherwise noted)

Item	Symbol	Ratings	Unit	Conditions
Supply voltage	V _{CC}	-0.3 to +4.6	V	Value based on the GND pin
Input voltage	V _I	-0.3 to V _{CC} + 0.3	V	
Output voltage	V _O	-0.3 to V _{CC} + 0.3	V	
Power dissipation	P _d	300	mW	Ta = 25°C
Storage temperature	T _{stg}	-55 to 150	°C	

Recommended Operating Conditions

Item	Symbol	Min	Typ	Max	Unit
Supply voltage	V _{CC}	2.7	3.15	3.6	V
Supply voltage	GND	—	0	—	V
Operating temperature	T _{opr}	0	—	70	°C

Electrical Characteristics

(Ta = 0 to 70°C, V_{CC} = 2.7 to 3.6 V, GND = 0 V, unless otherwise noted)

Item	Symbol	Min	Typ	Max	Unit	Test Conditions	
High-level input voltage	V _{IH}	2.0	—	—	V		
Low-level input voltage	V _{IL}	—	—	0.8	V		
High-level output voltage	V _{OH}	V _{CC} - 0.8	—	—	V	I _{OH} = -4 mA	
Low-level output voltage	V _{OL}	—	—	0.55	V	I _{OL} = 4 mA	
High-level input current	I _{IH}	—	—	1.0	μA	V _I = V _{CC}	WEB, WRESB, WCK, REB, RRESB, RCK, D0 to D7
Low-level input current	I _{IL}	—	—	-1.0	μA	V _I = GND	WEB, WRESB, WCK, REB, RRESB, RCK, D0 to D7
Off-state high-level output current	I _{OZH}	—	—	5.0	μA	V _O = V _{CC}	
Off-state low-level output current	I _{OZL}	—	—	-5.0	μA	V _O = GND	
Average supply current during operation	I _{CC}	—	—	70	mA	V _I = V _{CC} , GND, Output open t _{WCK} , t _{RCK} = 25 ns	
Input capacitance	C _I	—	—	10	pF	f = 1 MHz	
Off-time output capacitance	C _O	—	—	15	pF	f = 1 MHz	

Function

When write enable input WEB is set to "L", the contents of data inputs D0 to D7 are read in synchronization with a rising edge of write clock input WCK to perform writing operation. When this is the case, the write address counter is also incremented simultaneously.

When WEB is set to "H", the writing operation is inhibited and the write address counter stops.

When write reset input WRESB is set to "L", the write address counter is initialized.

When read enable input REB is set to "L", the contents of memory are output to data outputs Q0 to Q7 in synchronization with a rising edge of read clock input RCK to perform reading operation. When this is the case, the read address counter is incremented simultaneously.

When REB is set to "H", the reading operation is inhibited and the read address counter stops. The outputs are placed in a high impedance state.

When read reset input RRESB is set to "L", the read address counter is initialized.

Switching Characteristics

($T_a = 0$ to 70°C , $V_{CC} = 2.7$ to 3.6 V, $GND = 0$ V, unless otherwise noted)

Item	Symbol	Min	Typ	Max	Unit
Access time	t_{AC}	—	—	18	ns
Output hold time	t_{OH}	3	—	—	ns
Output enable time	t_{OEN}	3	—	18	ns
Output disable time	t_{ODIS}	3	—	18	ns

Timing Requirements

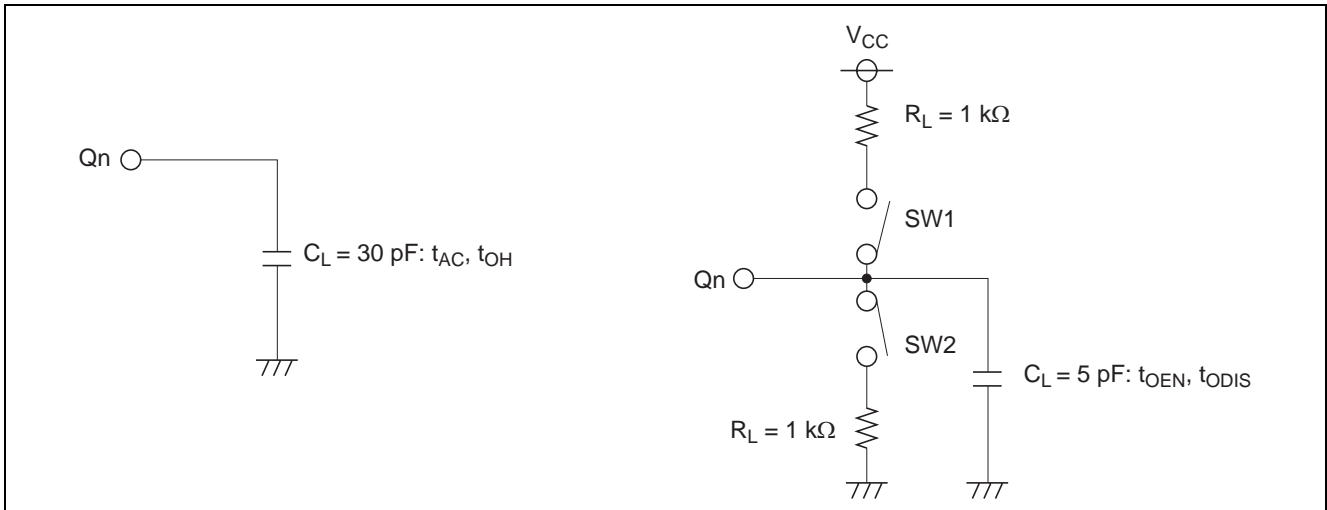
($T_a = 0$ to 70°C , $V_{CC} = 2.7$ to 3.6 V, $GND = 0$ V, unless otherwise noted)

Item	Symbol	Min	Typ	Max	Unit
Write clock (WCK) cycle	t_{WCK}	25	—	—	ns
Write clock (WCK) "H" pulse width	t_{WCKH}	11	—	—	ns
Write clock (WCK) "L" pulse width	t_{WCKL}	11	—	—	ns
Read clock (RCK) cycle	t_{RCK}	25	—	—	ns
Read clock (RCK) "H" pulse width	t_{RCKH}	11	—	—	ns
Read clock (RCK) "L" pulse width	t_{RCKL}	11	—	—	ns
Input data setup time for WCK	t_{DS}	7	—	—	ns
Input data hold time for WCK	t_{DH}	3	—	—	ns
Reset setup time for WCK/RCK	t_{RESS}	7	—	—	ns
Reset hold time for WCK/RCK	t_{RESH}	3	—	—	ns
Reset non-selection setup time for WCK/RCK	t_{NRESS}	7	—	—	ns
Reset non-selection hold time for WCK/RCK	t_{NRESH}	3	—	—	ns
WEB setup time for WCK	t_{WES}	7	—	—	ns
WEB hold time for WCK	t_{WEH}	3	—	—	ns
WEB non-selection setup time for WCK	t_{NWES}	7	—	—	ns
WEB non-selection hold time for WCK	t_{NWEH}	3	—	—	ns
REB setup time for RCK	t_{RES}	7	—	—	ns
REB hold time for RCK	t_{REH}	3	—	—	ns
REB non-selection setup time for RCK	t_{NRES}	7	—	—	ns
REB non-selection hold time for RCK	t_{NREH}	3	—	—	ns
Input pulse up/down time	t_r, t_f	—	—	20	ns
Data hold time*	t_H	—	—	20	ms

Notes: Perform reset operation after turning on power supply.

- * For 1 line access, the following conditions must be satisfied:
 WEB high-level period ≤ 20 ms $- 5120 \cdot t_{WCK}$ - WRESB low-level period
 REB high-level period ≤ 20 ms $- 5120 \cdot t_{RCK}$ - RRESB low-level period

Switching Characteristics Measurement Circuit



Input pulse level: 0 to 3 V

Input pulse up/down time: 3 ns

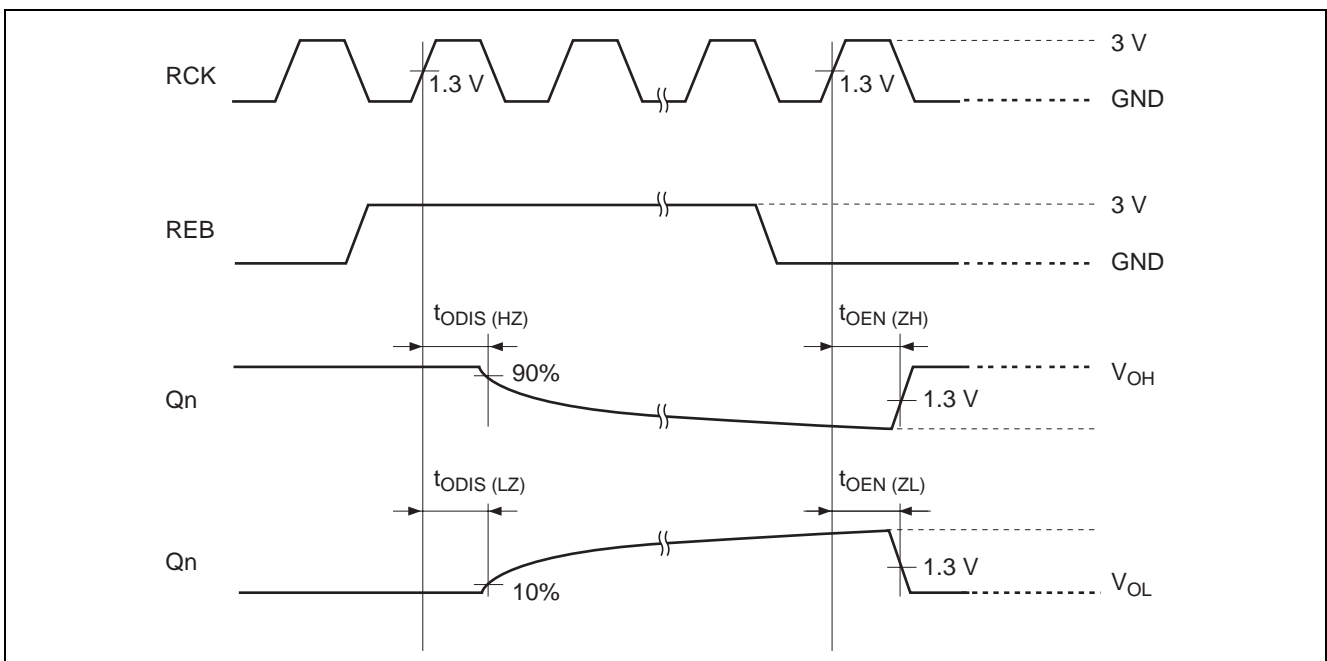
Judging voltage Input: 1.3 V

Output: 1.3 V (However, $t_{ODIS(LZ)}$ is judged with 10% of the output amplitude, while $t_{ODIS(HZ)}$ is judged with 90% of the output amplitude)

Load capacitance C_L includes the floating capacity of connected lines and input capacitance of probe.

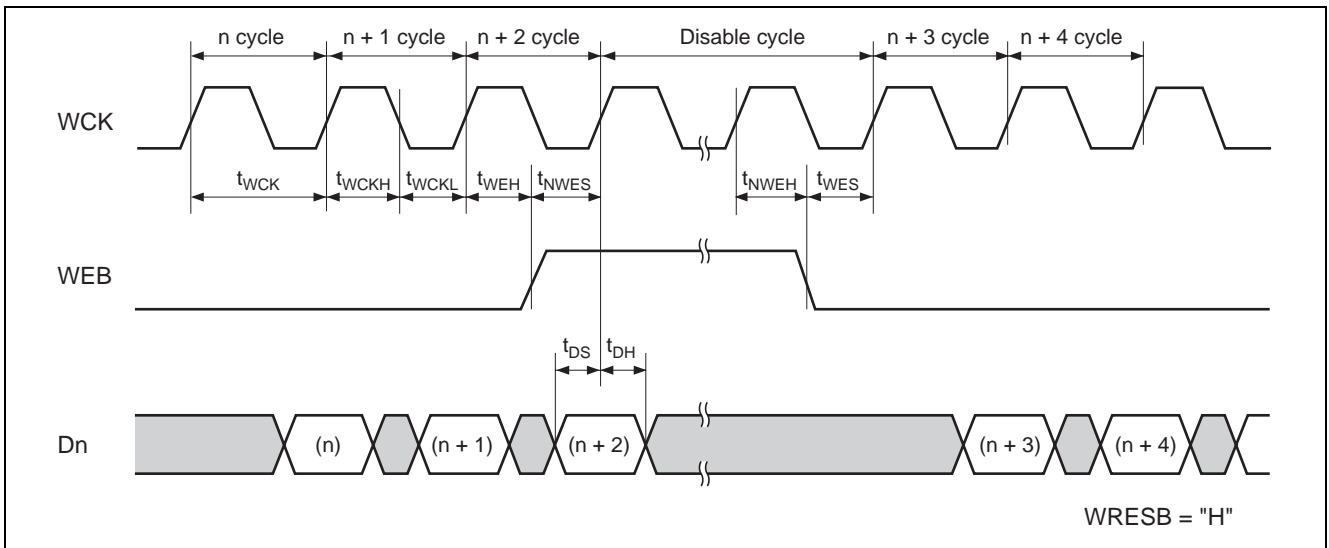
Item	SW1	SW2
$t_{ODIS(LZ)}$	Close	Open
$t_{ODIS(HZ)}$	Open	Close
$t_{OEN(ZL)}$	Close	Open
$t_{OEN(ZH)}$	Open	Close

t_{ODIS} and t_{OEN} Measurement Condition

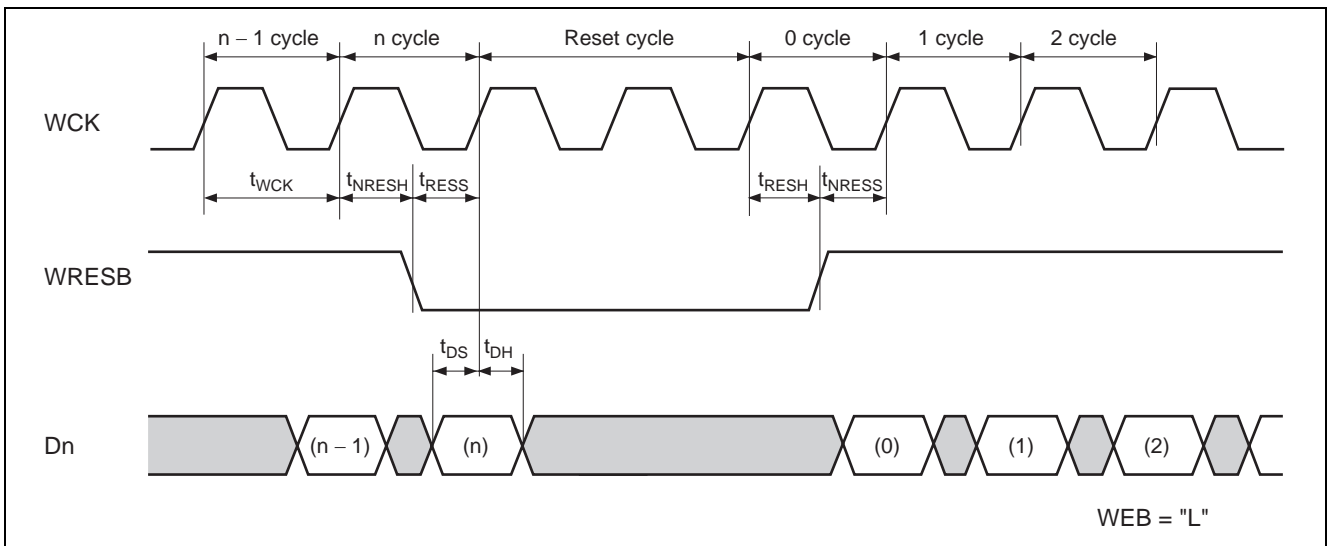


Operation Timing

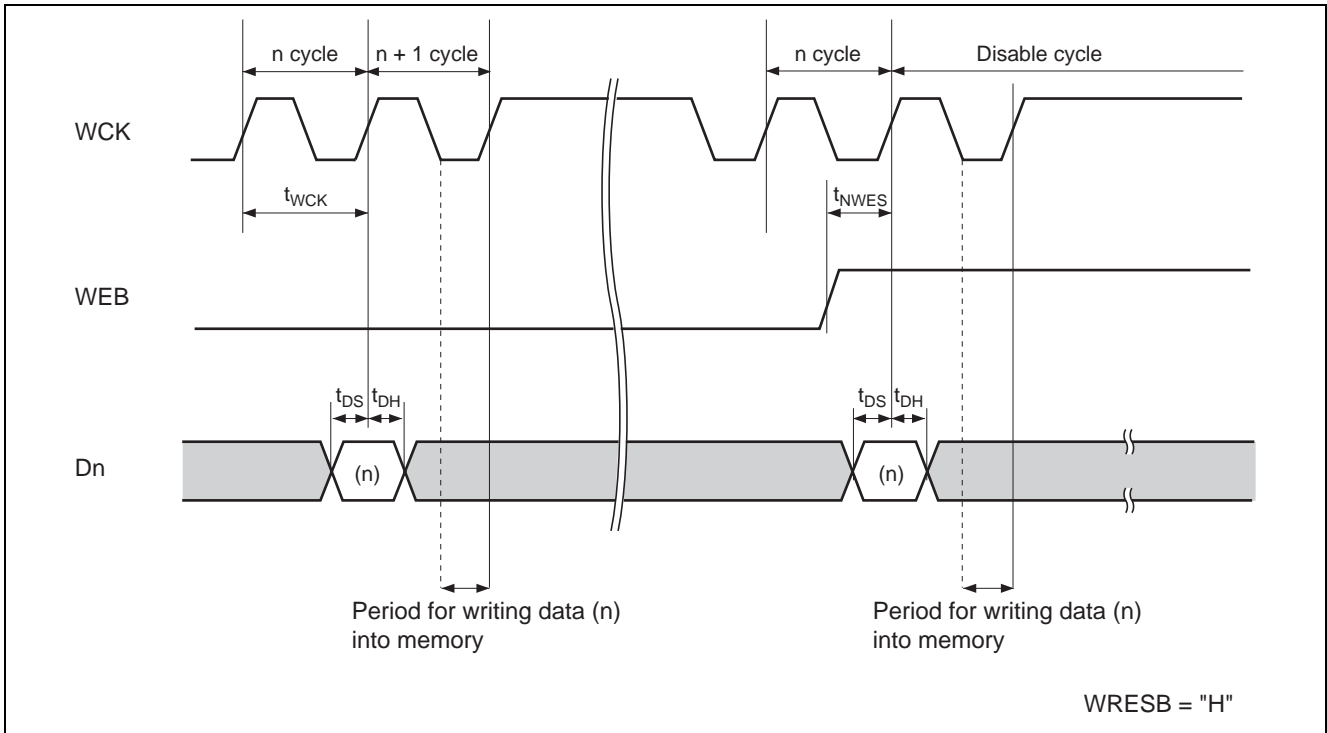
Write Cycle



Write Reset Cycle



Matters that Needs Attention when WCK Stops

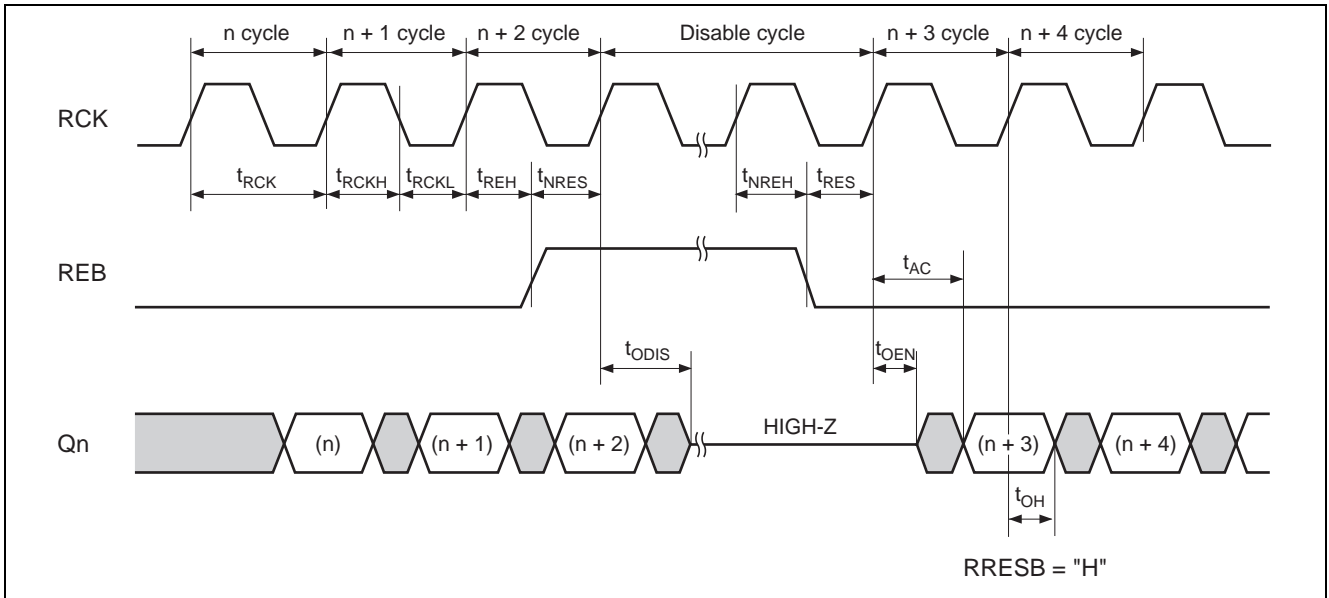


Input data of n cycle is read at the rising edge after WCK of n cycle and writing operation starts in the WCK low-level period of n + 1 cycle. The writing operation is complete at the falling edge after n + 1 cycle.

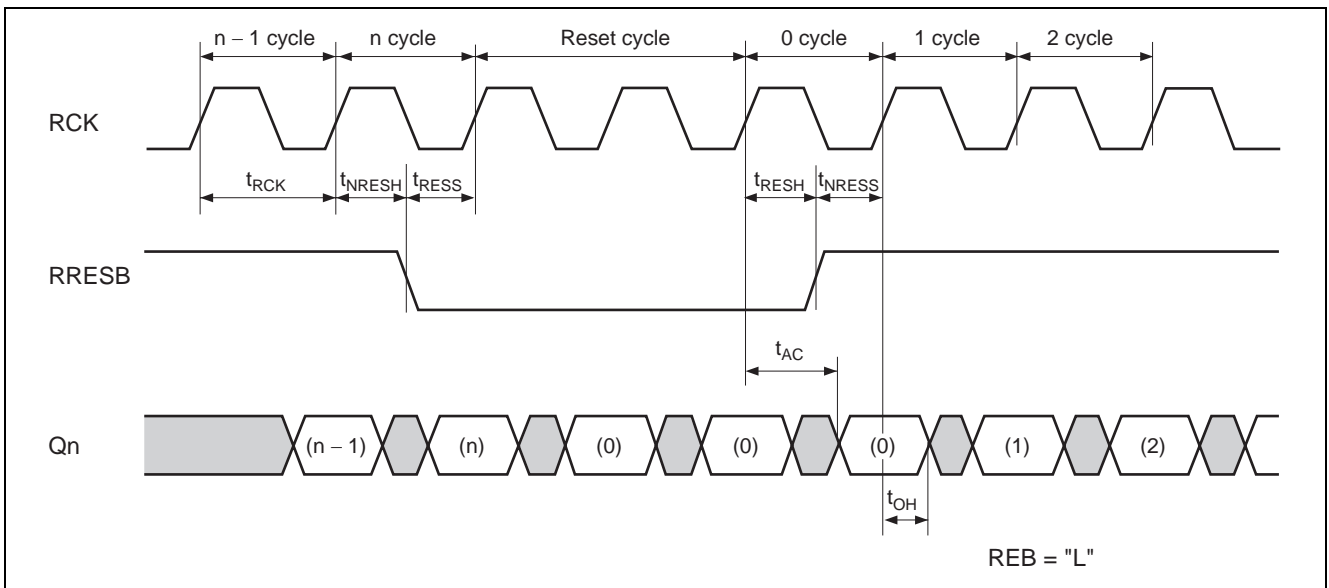
To stop reading write data at n cycle, enter WCK before the rising edge after n + 1 cycle.

When the cycle next to n cycle is a disable cycle, WCK for a cycle requires to be entered after the disable cycle as well.

Read Cycle



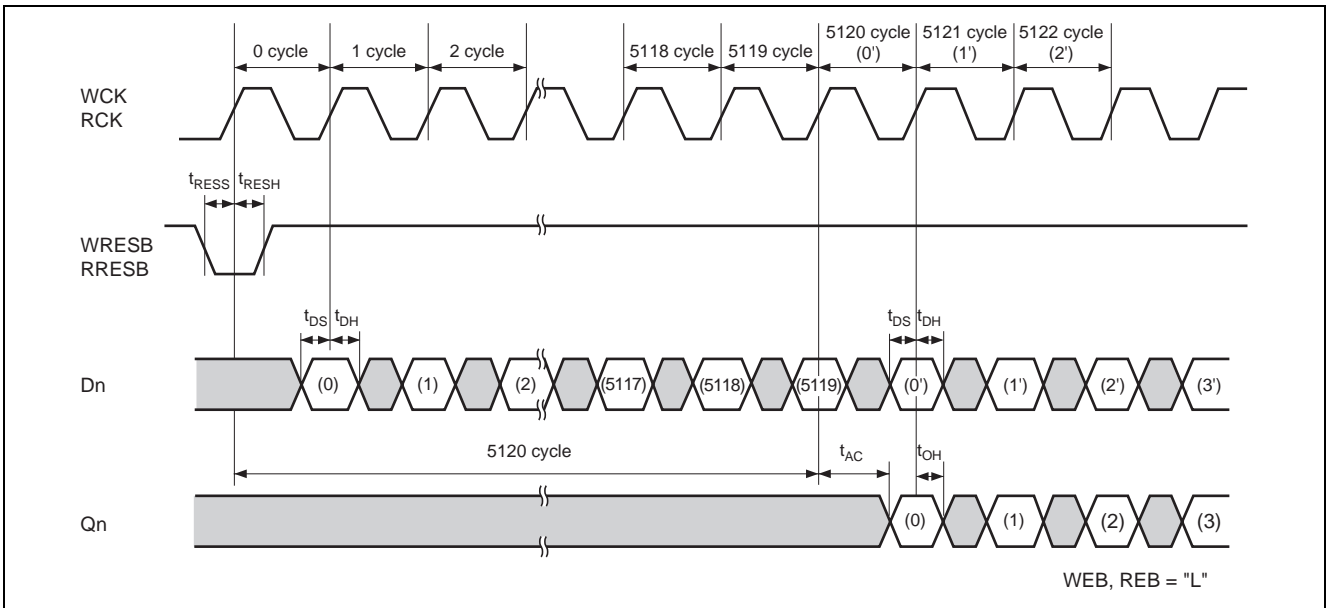
Read Reset Cycle



Variable Length Delay Bit

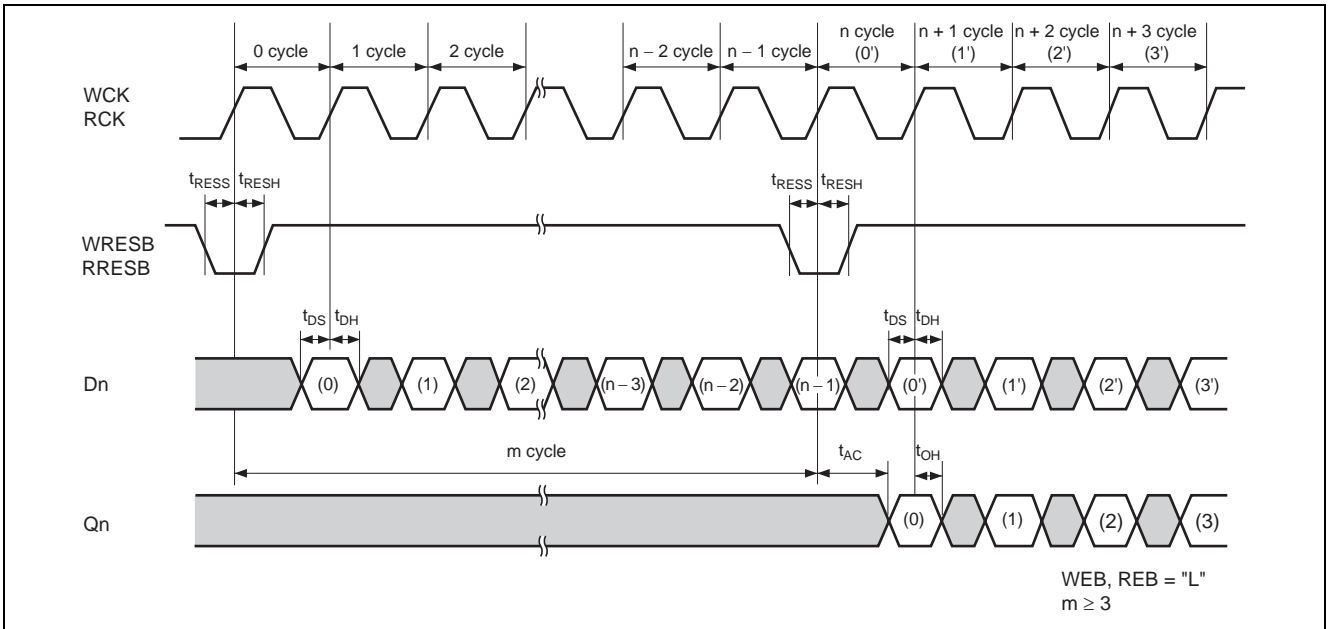
1 Line (5120 Bits) Delay

Input data can be written at the rising edge of WCK after write cycle and output data is read at the rising edge of RCK before read cycle to easily make 1 line delay.



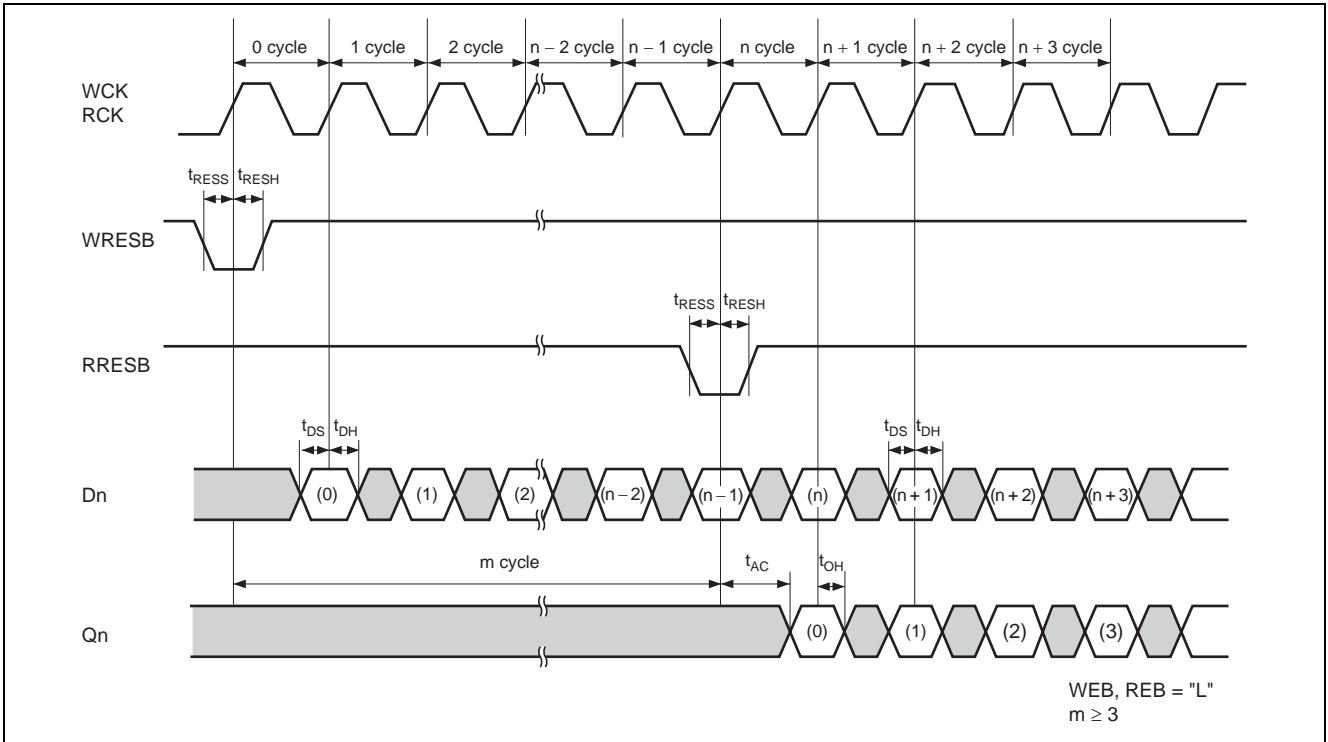
n-bit Delay Bit

(Reset at cycles according to the delay length)



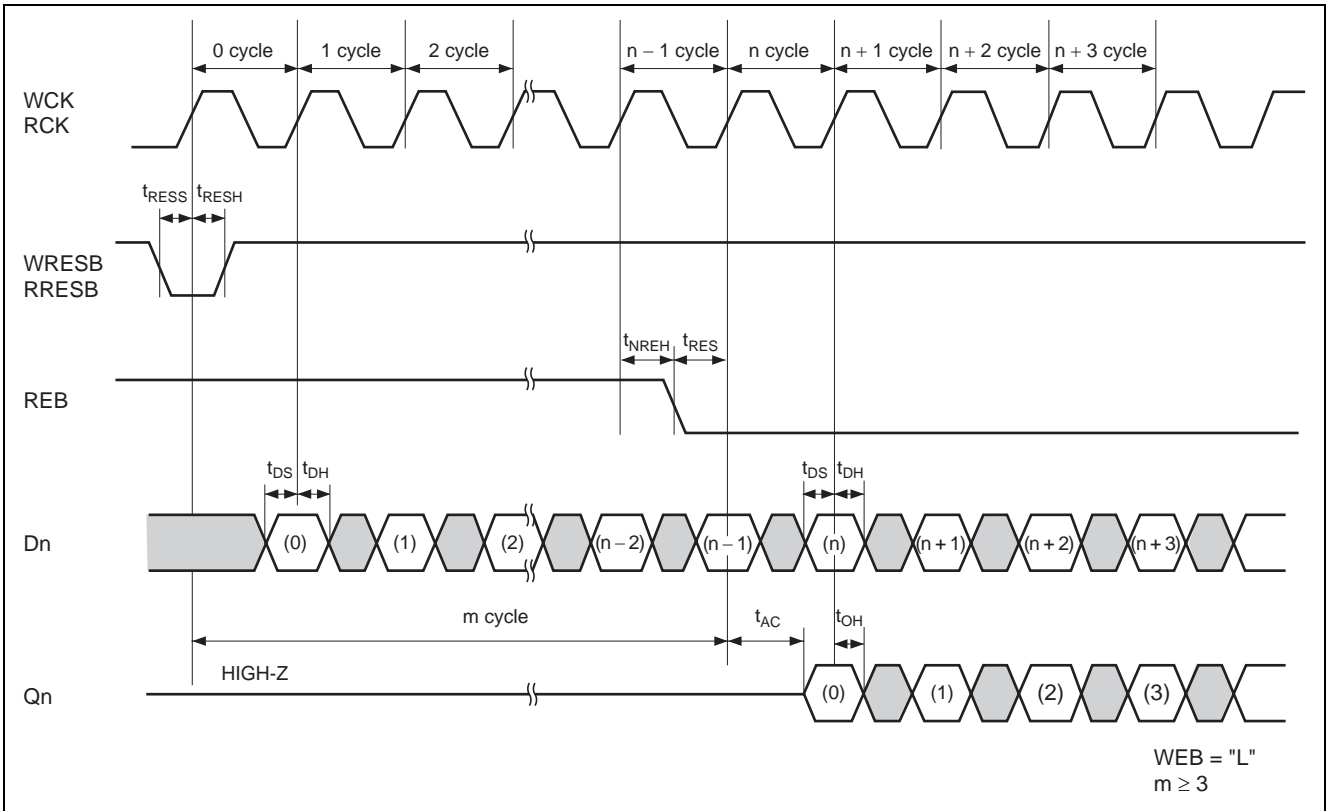
n-bit Delay 2

(Slides input timings of WRESB and RRESB at cycles according to the delay length)



n-bit Delay 3

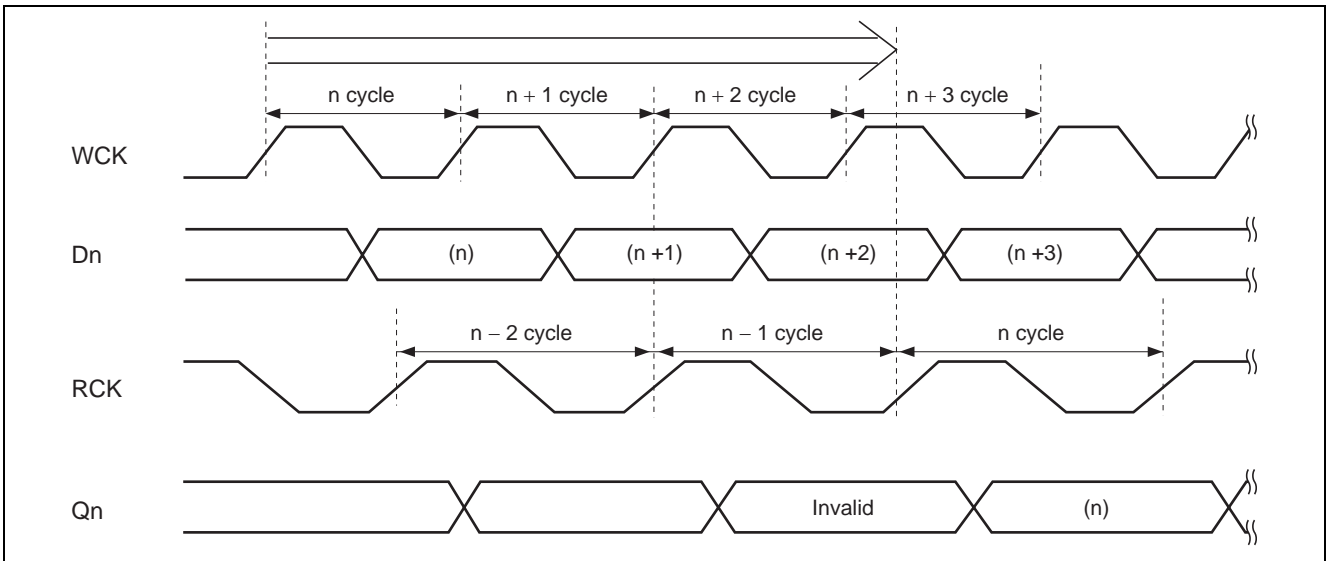
(Slides address by disabling REB in the period according to the delay length)



Reading Shortest n-cycle Write Data "n"

(Reading side n – 1 cycle starts after the end of writing side n – 1 cycle)

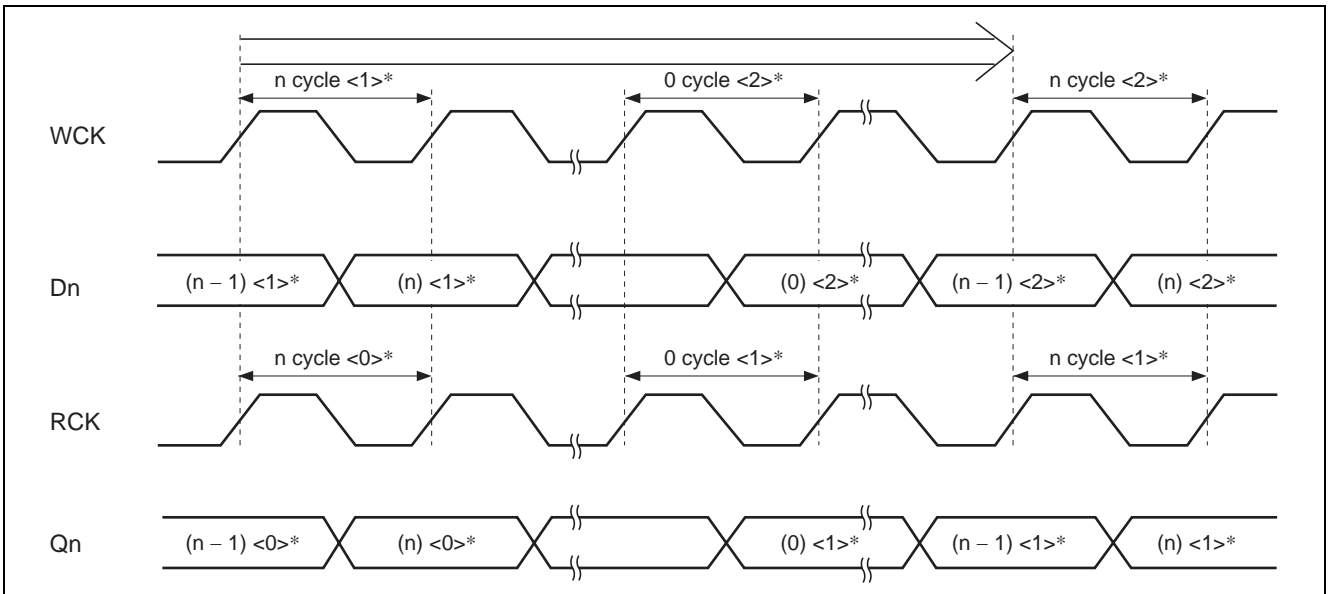
When the reading side n – 1 cycle starts before the end of the writing side n + 1 cycle, output Qn of n cycle is made invalid. In the following diagram, reading operation of n – 1 cycle is invalid.



Reading Longest n-cycle Write Data "n": 1 Line Delay

(When writing side n-cycle <2>* starts, reading side n cycle <1>* then starts)

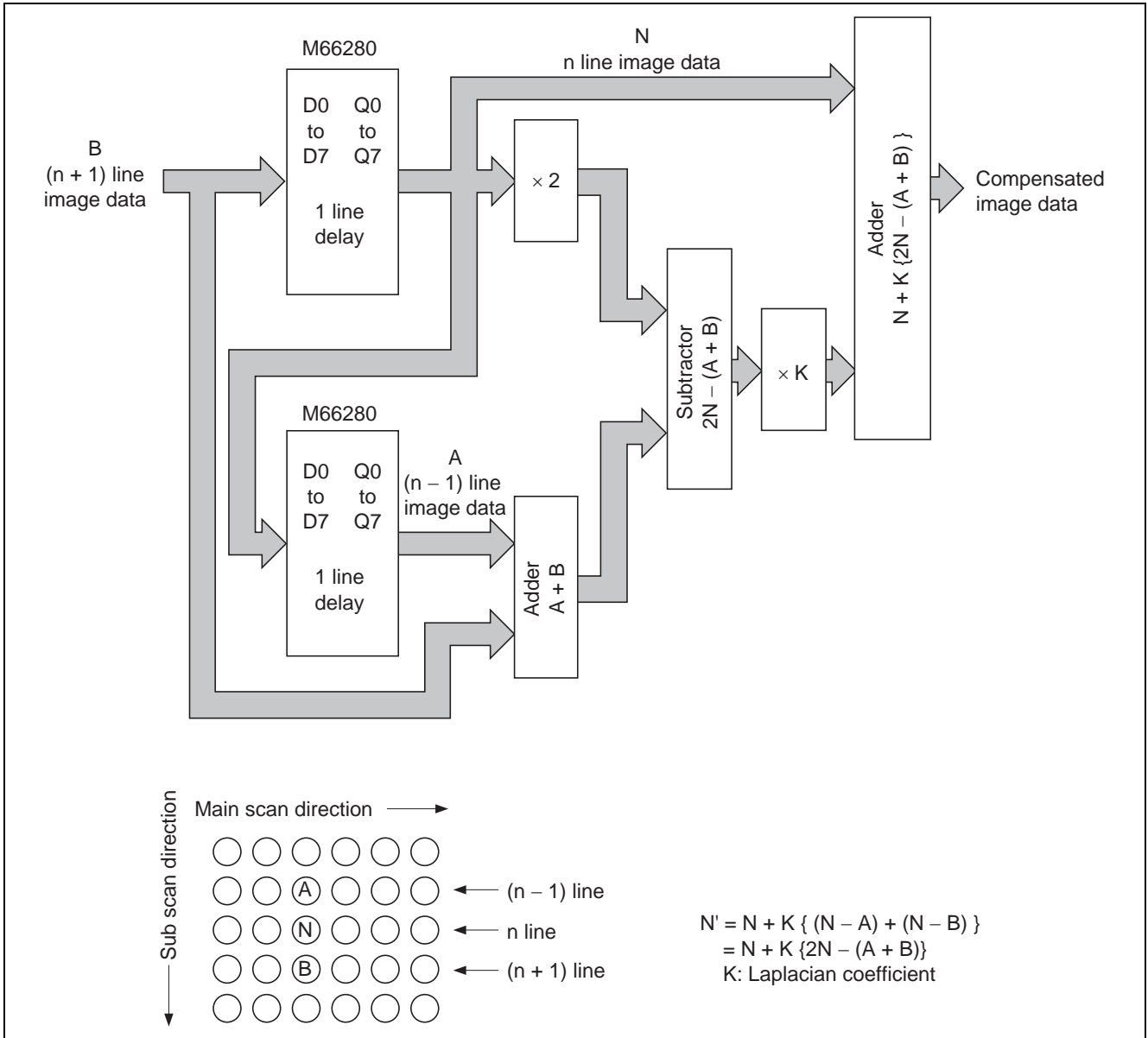
Output Qn of n cycle <1>* can be read until the start of reading side n cycle <1> and the start of writing side n cycle <2>* overlap each other.



Note: <0>*, <1>* and <2>* indicate value of lines.

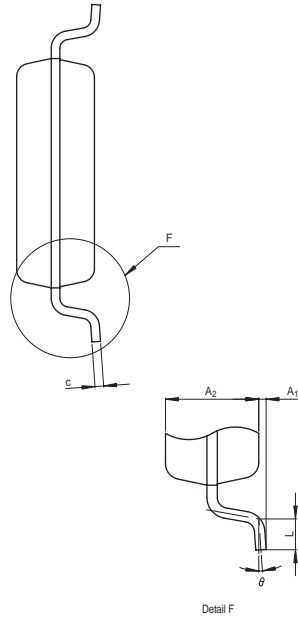
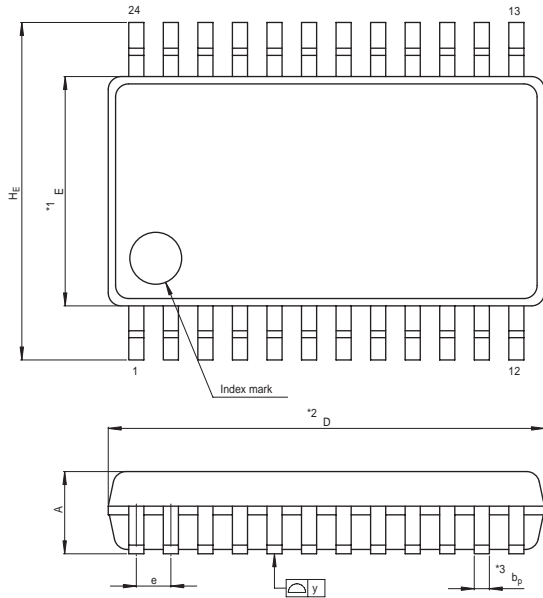
Application Example

Sub Scan Resolution Compensation Circuit with Laplacian Filter



Package Dimensions

JEITA Package Code	RENESAS Code	Previous Code	MASS[Typ.]
P-SSOP24-5.3x10.1-0.80	PRSP0024GA-A	24P2Q-A	0.2g



NOTE)
 1. DIMENSIONS **1" AND **2"
 DO NOT INCLUDE MOLD FLASH.
 2. DIMENSION **3" DOES NOT
 INCLUDE TRIM OFFSET.

Reference Symbol	Dimension in Millimeters		
	Min	Nom	Max
D	10.0	10.1	10.2
E	5.2	5.3	5.4
A ₂	—	1.8	—
A	—	—	2.1
A ₁	0	0.1	0.2
b _p	0.3	0.35	0.45
c	0.18	0.2	0.25
θ	0°	—	8°
H _E	7.5	7.8	8.1
e	0.65	0.8	0.95
y	—	—	0.10
L	0.4	0.6	0.8

Notes:

1. This document is provided for reference purposes only so that Renesas customers may select the appropriate Renesas products for their use. Renesas neither makes warranties or representations with respect to the accuracy or completeness of the information contained in this document nor grants any license to any intellectual property rights or any other rights of Renesas or any third party with respect to the information in this document.
2. Renesas shall have no liability for damages or infringement of any intellectual property or other rights arising out of the use of any information in this document, including, but not limited to, product data, diagrams, charts, programs, algorithms, and application circuit examples.
3. You should not use the products or the technology described in this document for the purpose of military applications such as the development of weapons of mass destruction or for the purpose of any other military use. When exporting the products or technology described herein, you should follow the applicable export control laws and regulations, and procedures required by such laws and regulations.
4. All information included in this document such as product data, diagrams, charts, programs, algorithms, and application circuit examples, is current as of the date this document is issued. Such information, however, is subject to change without any prior notice. Before purchasing or using any Renesas products listed in this document, please confirm the latest product information with a Renesas sales office. Also, please pay regular and careful attention to additional and different information to be disclosed by Renesas such as that disclosed through our website. (<http://www.renesas.com>)
5. Renesas has used reasonable care in compiling the information included in this document, but Renesas assumes no liability whatsoever for any damages incurred as a result of errors or omissions in the information included in this document.
6. When using or otherwise relying on the information in this document, you should evaluate the information in light of the total system before deciding about the applicability of such information to the intended application. Renesas makes no representations, warranties or guarantees regarding the suitability of its products for any particular application and specifically disclaims any liability arising out of the application and use of the information in this document or Renesas products.
7. With the exception of products specified by Renesas as suitable for automobile applications, Renesas products are not designed, manufactured or tested for applications or otherwise in systems the failure or malfunction of which may cause a direct threat to human life or create a risk of human injury or which require especially high quality and reliability such as safety systems, or equipment or systems for transportation and traffic, healthcare, combustion control, aerospace and aeronautics, nuclear power, or undersea communication transmission. If you are considering the use of our products for such purposes, please contact a Renesas sales office beforehand. Renesas shall have no liability for damages arising out of the uses set forth above.
8. Notwithstanding the preceding paragraph, you should not use Renesas products for the purposes listed below:
 - (1) artificial life support devices or systems
 - (2) surgical implantations
 - (3) healthcare intervention (e.g., excision, administration of medication, etc.)
 - (4) any other purposes that pose a direct threat to human lifeRenesas shall have no liability for damages arising out of the uses set forth in the above and purchasers who elect to use Renesas products in any of the foregoing applications shall indemnify and hold harmless Renesas Technology Corp., its affiliated companies and their officers, directors, and employees against any and all damages arising out of such applications.
9. You should use the products described herein within the range specified by Renesas, especially with respect to the maximum rating, operating supply voltage range, movement power voltage range, heat radiation characteristics, installation and other product characteristics. Renesas shall have no liability for malfunctions or damages arising out of the use of Renesas products beyond such specified ranges.
10. Although Renesas endeavors to improve the quality and reliability of its products, IC products have specific characteristics such as the occurrence of failure at a certain rate and malfunctions under certain use conditions. Please be sure to implement safety measures to guard against the possibility of physical injury, and injury or damage caused by fire in the event of the failure of a Renesas product, such as safety design for hardware and software including but not limited to redundancy, fire control and malfunction prevention, appropriate treatment for aging degradation or any other applicable measures. Among others, since the evaluation of microcomputer software alone is very difficult, please evaluate the safety of the final products or system manufactured by you.
11. In case Renesas products listed in this document are detached from the products to which the Renesas products are attached or affixed, the risk of accident such as swallowing by infants and small children is very high. You should implement safety measures so that Renesas products may not be easily detached from your products. Renesas shall have no liability for damages arising out of such detachment.
12. This document may not be reproduced or duplicated, in any form, in whole or in part, without prior written approval from Renesas.
13. Please contact a Renesas sales office if you have any questions regarding the information contained in this document, Renesas semiconductor products, or if you have any other inquiries.



RENESAS SALES OFFICES

<http://www.renesas.com>

Refer to "<http://www.renesas.com/en/network>" for the latest and detailed information.

Renesas Technology America, Inc.
450 Holger Way, San Jose, CA 95134-1368, U.S.A
Tel: <1> (408) 382-7500, Fax: <1> (408) 382-7501

Renesas Technology Europe Limited
Dukes Meadow, Millboard Road, Bourne End, Buckinghamshire, SL8 5FH, U.K.
Tel: <44> (1628) 585-100, Fax: <44> (1628) 585-900

Renesas Technology (Shanghai) Co., Ltd.
Unit 204, 205, AZIACenter, No.1233 Lujiazui Ring Rd, Pudong District, Shanghai, China 200120
Tel: <86> (21) 5877-1818, Fax: <86> (21) 6887-7898

Renesas Technology Hong Kong Ltd.
7th Floor, North Tower, World Finance Centre, Harbour City, 1 Canton Road, Tsimshatsui, Kowloon, Hong Kong
Tel: <852> 2265-6688, Fax: <852> 2730-6071

Renesas Technology Taiwan Co., Ltd.
10th Floor, No.99, Fushing North Road, Taipei, Taiwan
Tel: <886> (2) 2715-2888, Fax: <886> (2) 2713-2999

Renesas Technology Singapore Pte. Ltd.
1 Harbour Front Avenue, #06-10, Keppel Bay Tower, Singapore 098632
Tel: <65> 6213-0200, Fax: <65> 6278-8001

Renesas Technology Korea Co., Ltd.
Kukje Center Bldg. 18th Fl., 191, 2-ka, Hangang-ro, Yongsan-ku, Seoul 140-702, Korea
Tel: <82> (2) 796-3115, Fax: <82> (2) 796-2145

Renesas Technology Malaysia Sdn. Bhd
Unit 906, Block B, Menara Amcorp, Amcorp Trade Centre, No.18, Jalan Persiaran Barat, 46050 Petaling Jaya, Selangor Darul Ehsan, Malaysia
Tel: <603> 7955-9390, Fax: <603> 7955-9510