

DESCRIPTION

The R8A66153FP is a programmable I/O expander using a high-voltage CMOS process. And has three sets of 8-bit I/O ports, two sets of 8-bit high voltage output ports, and one 4-bit input port.

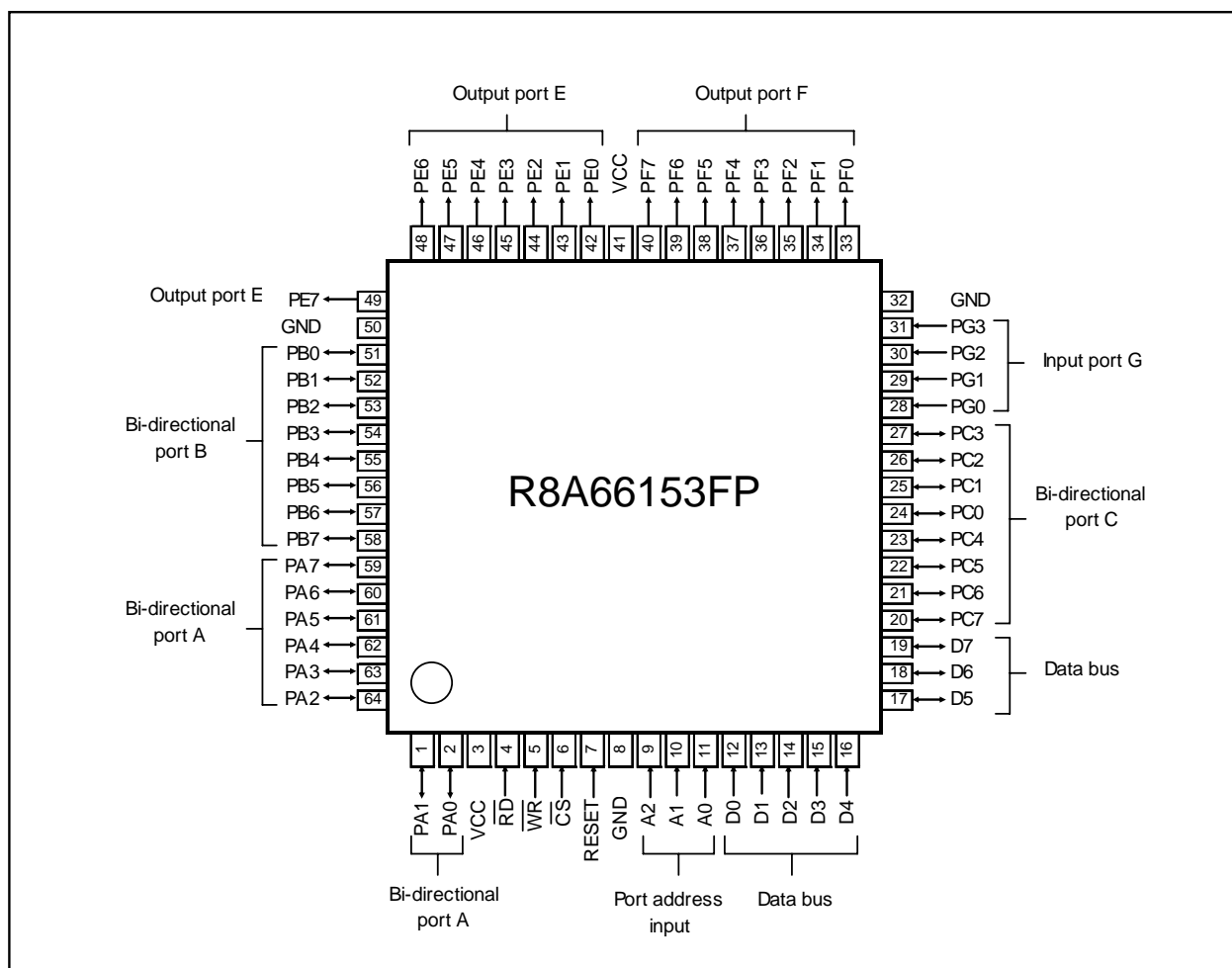
FEATURES

- Output pattern can be written in input mode
- 8-bit X 2 high voltage output ports with IOL=24mA
- CMOS level schmitt trigger input
- Vcc=4.5~5.5V, Ta=-40~85°C

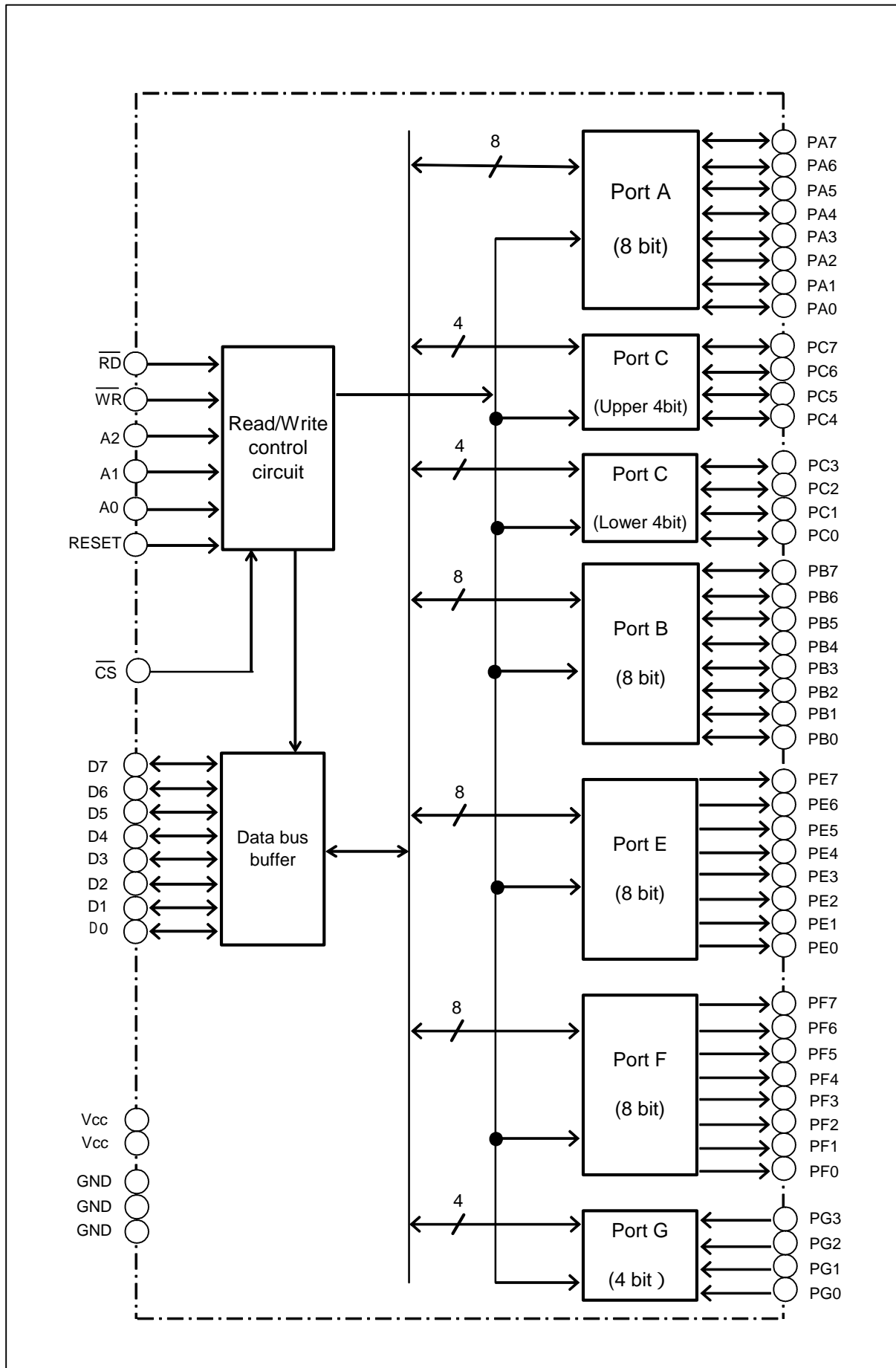
APPLICATION

- I/O port expansion for MCU.

PIN CONFIGURATION (TOP VIEW)



BLOCK DIAGRAM



FUNCTIONAL DESCRIPTION

The R8A66153FP is a general purpose programmable I/O expander with three 8-bit I/O ports (portA,B,C) and two 8-bit high voltage output ports (portE,F) and one 4-bit input port (portG).

I/O ports can be set INPUT for OUTPUT by a command.

The portC can be divided into two 4-bit ports, and if it is set to output, bit set/reset operation is available.

The portE and port F is the high voltage N-channel open drain output. ($V_o=24V$, $I_{OL}=24mA$)

The port G is a 4-bit input port with CMOS level schmitt trigger input.

When RESET="H", output port E and F turn to disable state and other I/O ports turn to input mode.

FUNCTION

\overline{RD} (read input)

If the input is "L", the port input data or port latch data appear at the data bus.

\overline{WR} (write input)

By the positive edge of \overline{WR} input, data bus data is written into the control register or into the port latch.

A2, A1, A0 (Port selection input)

Select the port or the control register. (see table 1)

RESET (reset input)

If the input is "H", all I/O and output port turn to high impedance state.

(Port A,B,C : input mode, Port E,F : "Z")

\overline{CS} (chip select input)

"L" enables to communicate with MCU. When "H", data bus keeps high impedance state and ignored the command from MCU. The port condition and the data of the port latch are not changed even if \overline{CS} ="H".

Read/Write control circuit

According to the data from the MCU, set the port condition and transmit the data between port and data bus.

Data bus buffer

This is the bi-directional bus buffer. When \overline{WR} ="L" data bus data is written into the register of R8A66153, and when \overline{RD} ="L" port data or port latch data is appears.

Port A and Port B

Port A and Port B are 8-bit bi-directional port with output latch. By the command from MCU, set these port as an input or an output.

The output circuit of these ports are CMOS 3-state output and input buffer is CMOS schmitt trigger input.

When port is set to output, data bus data is written into the port latch by the positive edge of \overline{WR} and is output to the terminal.

When \overline{RD} ="L" in the state of output mode, port terminal data(=output data) is appears to the data bus.

When \overline{RD} ="L" in the state of input mode, port terminal data(=input data) is appears to the data bus.

In the state of input mode, data bus data is written into the port latch by the positive edge of \overline{WR} .

Port latch data is not determined when power ON.

Port C

Basic function of port C is the same as the port A and port B. The difference between port A/B and port C is that port C can be used as the two 4-bit ports. And when is set to output, bit set/reset function is available by a bit.

Port E and Port F

Port E and Port F are 8-bit high voltage output ports with $V_o=24V/IOL=24mA$. Output transistor is N-ch open drain transistor.

When this port is selected, data bus data is written into the port latch by the positive edge of \overline{WR} .

And if is set to output enable, port latch

Port G

Port G is a input port with CMOS schmitt trigger. When this port is selected and $\overline{RD}="L"$, input data is appears to the data bus.

Table 1. Function Table

A2	A1	A0	\overline{CS}	\overline{RD}	\overline{WR}	FUNCTION
0	0	0	0	0	1	Data bus ← Port A
0	0	1	0	0	1	Data bus ← Port B
0	1	0	0	0	1	Data bus ← Port C
0	1	1	0	0	1	Data bus ← Port G
1	0	0	0	0	1	Data bus ← Port E latch data
1	0	1	0	0	1	Data bus ← Port F latch data
0	0	0	0	1	\uparrow	Port A ← Data bus
0	0	1	0	1	\uparrow	Port B ← Data bus
0	1	0	0	1	\uparrow	Port C ← Data bus
1	0	0	0	1	\uparrow	Port E ← Data bus
1	0	1	0	1	\uparrow	Port F ← Data bus
1	1	1	0	1	\uparrow	Control register ← Data bus
x	x	x	1	x	x	Data bus is in high impedance state

note: "0" means "L" level and "1" means "H" level.

CONTROL WORD

When (A0, A1, A2)=(1,1,1), data bus data is recognized as the control word.

This control word is to set the port condition and the bit set/reset function of port C. (see Fig.1 and Fig.2)

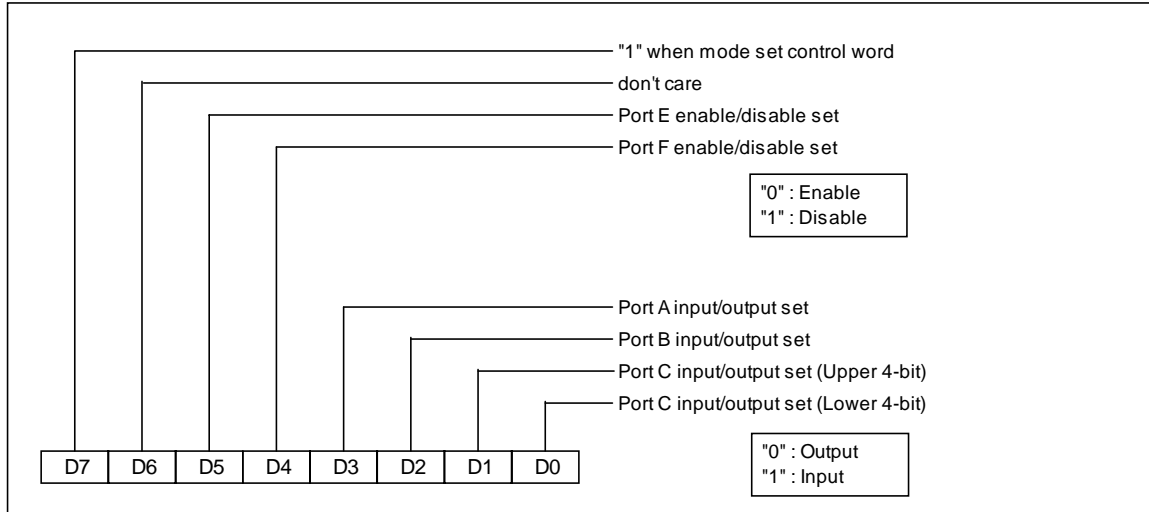


Fig.1 Control word to set port conditions

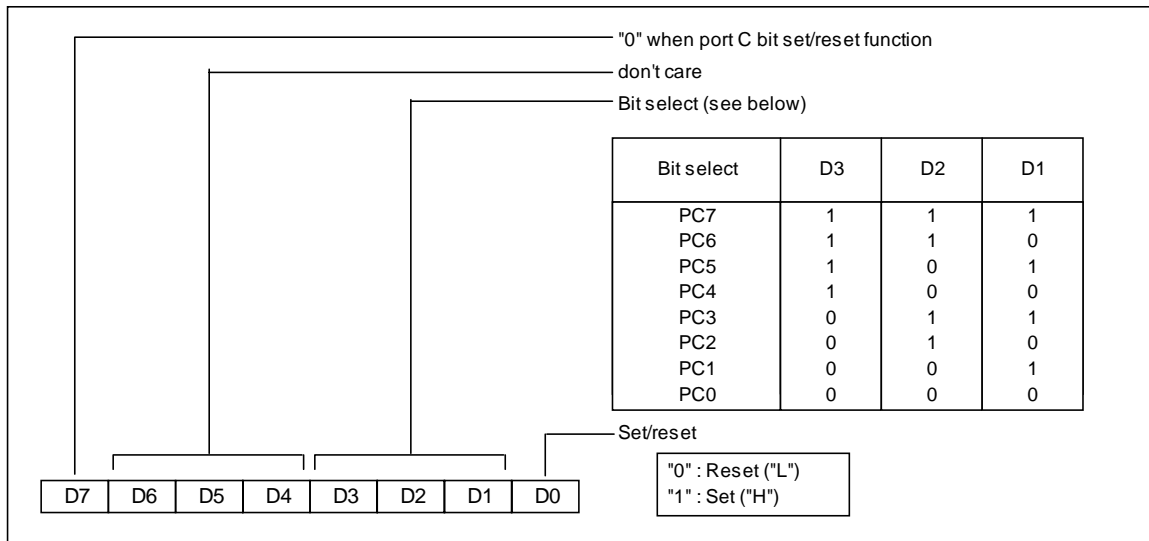


Fig.2 Control word for bit set/reset function of port C

ABSOLUTE MAXIMUM RATINGS ($T_a = -40 \sim +85^\circ\text{C}$, unless otherwise noted)

Symbol	Parameter	Conditions	Ratings	Unit
V _{cc}	Supply voltage		-0.3 to +7	V
V _I	Input voltage		-0.3 to V _{cc} +0.3	V
V _O	Output voltage	except port E, F	-0.3 to V _{cc} +0.3	V
		Port E,F	-0.3 to +28	V
P _d	Power dissipation	T _a =85°C	500	mW
T _{stg}	Storage temperature		-65 to 150	°C

RECOMMENDED OPERATING CONDITIONS ($T_a = -40 \sim +85^\circ\text{C}$, unless otherwise noted)

Symbol	Parameter	Conditions	Limits			Unit
			Min.	Typ.	Max.	
V _{cc}	Supply voltage		4.5	5	5.5	V
V _O	"H" output voltage	Port E,F I _{OH} < 250μA	0		24	V
I _{OL}	"L" output current	V _{OL} < 0.6V	0		24	mA
T _{opr}	Operating temperature		-40		85	°C

ELECTRICAL CHARACTERISTICS (V_{cc}=4.5~5.5V, T_a=-40~+85°C, unless otherwise noted)

Symbol	Parameter		Test conditions	Limits		Unit
				Min.	Max.	
V _{IH}	"H" input voltage	Control pin (note), Data bus		0.7V _{cc}		V
V _{IL}	"L" input voltage				0.3V _{cc}	V
V _{T+}	Positive going threshold voltage	Port A,B,C,G		0.35V _{cc}	0.78V _{cc}	V
V _{T-}	Negative going threshold voltage	Port A,B,C,G		0.2V _{cc}	0.55V _{cc}	V
V _{OH}	"H" output voltage	Data bus, Port A,B,C	I _{OH} =-2.5mA	V _{cc} -2		V
V _{OL}	"L" output voltage		I _O =2.5mA		0.45	V
V _{OL}	"L" output voltage	Port E,F	I _{OL} =24mA		0.6	V
I _{OH}	"H" output leak current	Port E,F	V _O =24V		250	μA
I _I	Input leak current		V _O =0 to V _{cc}		±10	μA
I _{OZ}	OFF-state output current		V _O =0 to V _{cc}		±10	μA
I _{CCS}	Static supply current with no output load.		All ports "H" output		2	mA
C _I	Input pin capacitance		f=1MHz		10	pF
C _{I/O}	I/O pin capacitance		Other pins 0V		20	pF

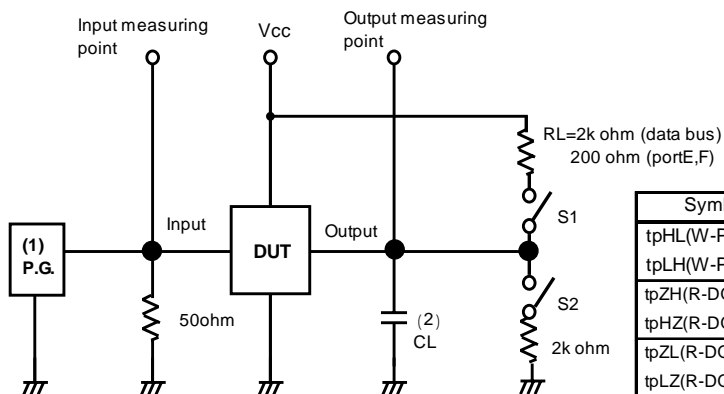
note : Control pins are $\overline{\text{RD}}$, $\overline{\text{WR}}$, $\overline{\text{RESET}}$, $\overline{\text{CS}}$, A2, A1 and A0 pin.

TIMING REQUIREMENTS ($V_{CC}=4.5\sim 5.5V$, $T_a=-40\sim +85^{\circ}C$, unless otherwise noted)

Symbol	Parameter		Test conditions	Limits		Unit
				Min.	Max.	
tw(R)	Read pulse width	tsu(A-R)=0ns		160		ns
		tsu(A-R)>40ns		120		
tsu(PE-R)	Peripheral setup time before read			0		ns
th(R-PE)	Peripheral hold time after read			0		ns
tsu(A-R)	Address setup time before read			0		ns
th(R-A)	Address hold time after read			0		ns
tw(W)	Write pulse width			120		ns
tsu(DQ-W)	Data setup time before write			40		ns
th(W-DQ)	Data hold time after write			0		ns
tsu(A-W)	Address setup time before write			0		ns
th(W-A)	Address hold time after write			0		ns

SWITCHING CHARACTERISTICS ($V_{CC}=4.5\sim 5.5V$, $T_a=-40\sim +85^{\circ}C$, unless otherwise noted)

Symbol	Parameter		Test conditions	Limits		Unit
				Min.	Max.	
tpZH(R-DQ)	Read access time	tsu(A-R)=0ns	CL=150pF (note)		120	ns
tpZL(R-DQ)		tsu(A-R)>40ns			85	
tpHZ(R-DQ)	Read to data floating time		CL=150pF (note)	3	85	ns
tpHL(W-PE)	Write to output delay time	Port A,B,C	CL=150pF (note)		200	ns
tpLH(W-PE)		Port E,F	CL=150pF, RL=200ohm (note)		250	



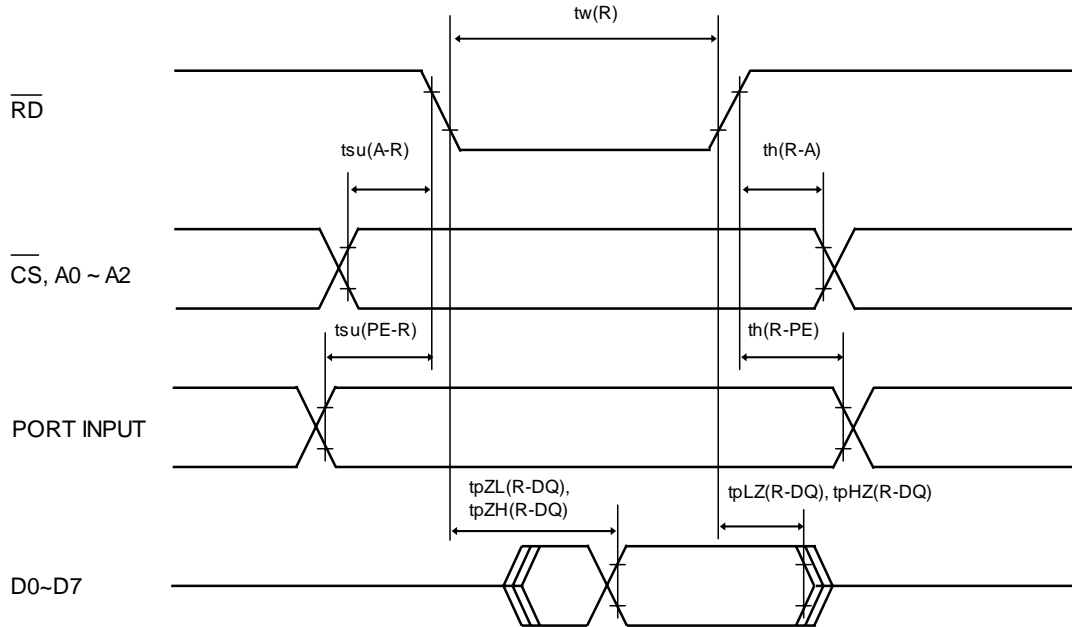
Symbol	Output pin	S1	S2
tpHL(W-PE)	Port A,B,C	Open	Open
tpLH(W-PE)	Port E,F	Closed	Open
tpZH(R-DQ)	Data bus	Open	Closed
tpZL(R-DQ)		Closed	Open

(1) Pulse Generator (P.G.)
tr=6ns, tf=6ns, Zo=50ohm

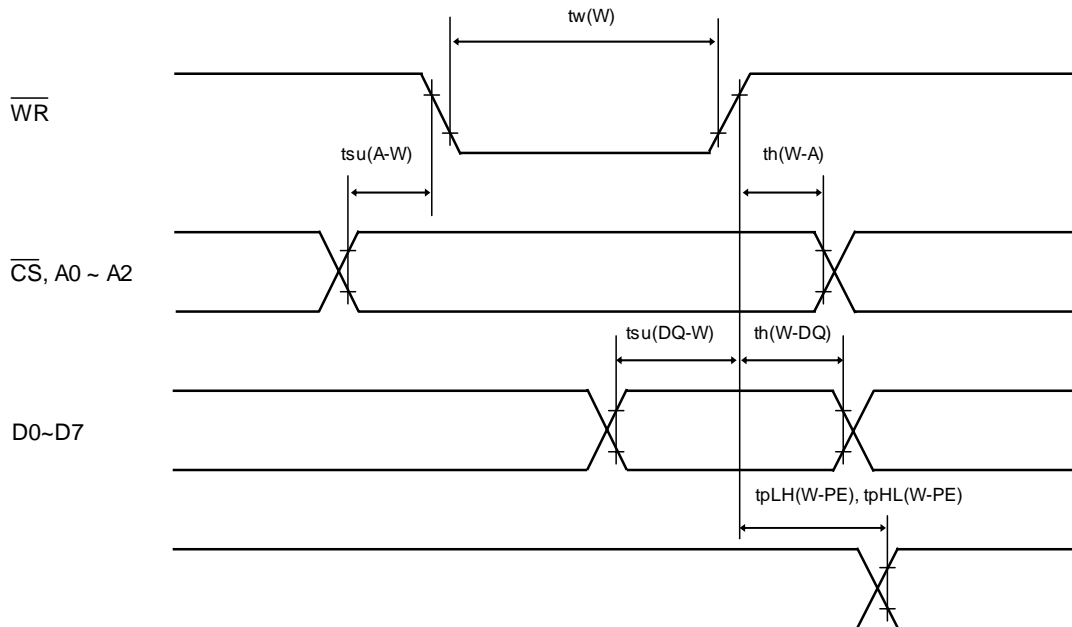
(2) CL includes stray capacitance and probe capacitance.

TIMING DIAGRAM

Read operation

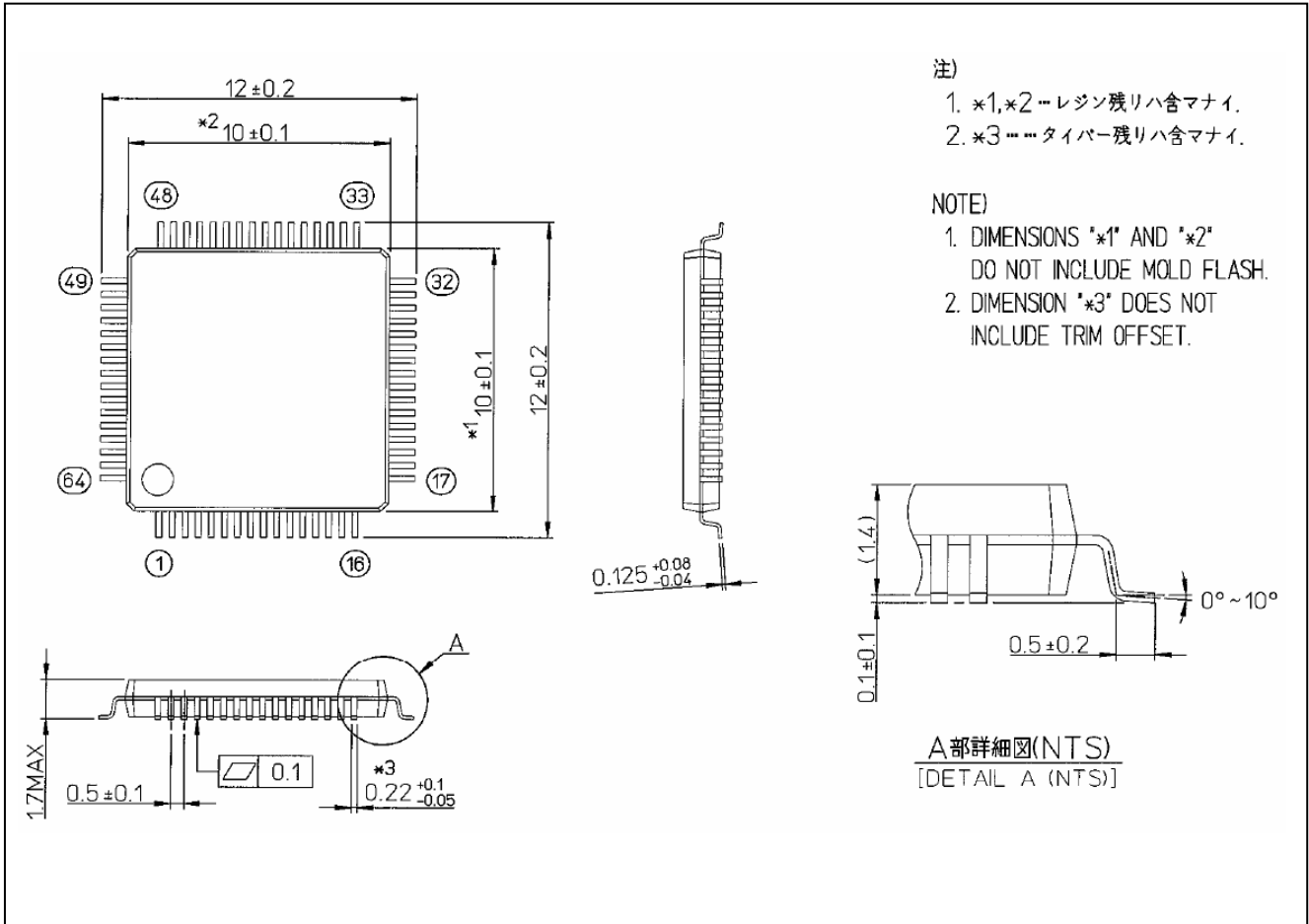


Write operation



PACKAGE OUTLINE

Package	RENESAS Code	Previous Code
64pin LQFP	PLQP0064KD-A	64P6X-B



All trademarks and registered trademarks are the property of their respective owners.

Notes:

1. This document is provided for reference purposes only so that Renesas customers may select the appropriate Renesas products for their use. Renesas neither makes warranties or representations with respect to the accuracy or completeness of the information contained in this document nor grants any license to any intellectual property rights or any other rights of Renesas or any third party with respect to the information in this document.
2. Renesas shall have no liability for damages or infringement of any intellectual property or other rights arising out of the use of any information in this document, including, but not limited to, product data, diagrams, charts, programs, algorithms, and application circuit examples.
3. You should not use the products or the technology described in this document for the purpose of military applications such as the development of weapons of mass destruction or for the purpose of any other military use. When exporting the products or technology described herein, you should follow the applicable export control laws and regulations, and procedures required by such laws and regulations.
4. All information included in this document such as product data, diagrams, charts, programs, algorithms, and application circuit examples, is current as of the date this document is issued. Such information, however, is subject to change without any prior notice. Before purchasing or using any Renesas products listed in this document, please confirm the latest product information with a Renesas sales office. Also, please pay regular and careful attention to additional and different information to be disclosed by Renesas such as that disclosed through our website. (<http://www.renesas.com>)
5. Renesas has used reasonable care in compiling the information included in this document, but Renesas assumes no liability whatsoever for any damages incurred as a result of errors or omissions in the information included in this document.
6. When using or otherwise relying on the information in this document, you should evaluate the information in light of the total system before deciding about the applicability of such information to the intended application. Renesas makes no representations, warranties or guarantees regarding the suitability of its products for any particular application and specifically disclaims any liability arising out of the application and use of the information in this document or Renesas products.
7. With the exception of products specified by Renesas as suitable for automobile applications, Renesas products are not designed, manufactured or tested for applications or otherwise in systems the failure or malfunction of which may cause a direct threat to human life or create a risk of human injury or which require especially high quality and reliability such as safety systems, or equipment or systems for transportation and traffic, healthcare, combustion control, aerospace and aeronautics, nuclear power, or undersea communication transmission. If you are considering the use of our products for such purposes, please contact a Renesas sales office beforehand. Renesas shall have no liability for damages arising out of the uses set forth above.
8. Notwithstanding the preceding paragraph, you should not use Renesas products for the purposes listed below:
 - (1) artificial life support devices or systems
 - (2) surgical implantations
 - (3) healthcare intervention (e.g., excision, administration of medication, etc.)
 - (4) any other purposes that pose a direct threat to human lifeRenesas shall have no liability for damages arising out of the uses set forth in the above and purchasers who elect to use Renesas products in any of the foregoing applications shall indemnify and hold harmless Renesas Technology Corp., its affiliated companies and their officers, directors, and employees against any and all damages arising out of such applications.
9. You should use the products described herein within the range specified by Renesas, especially with respect to the maximum rating, operating supply voltage range, movement power voltage range, heat radiation characteristics, installation and other product characteristics. Renesas shall have no liability for malfunctions or damages arising out of the use of Renesas products beyond such specified ranges.
10. Although Renesas endeavors to improve the quality and reliability of its products, IC products have specific characteristics such as the occurrence of failure at a certain rate and malfunctions under certain use conditions. Please be sure to implement safety measures to guard against the possibility of physical injury, and injury or damage caused by fire in the event of the failure of a Renesas product, such as safety design for hardware and software including but not limited to redundancy, fire control and malfunction prevention, appropriate treatment for aging degradation or any other applicable measures. Among others, since the evaluation of microcomputer software alone is very difficult, please evaluate the safety of the final products or system manufactured by you.
11. In case Renesas products listed in this document are detached from the products to which the Renesas products are attached or affixed, the risk of accident such as swallowing by infants and small children is very high. You should implement safety measures so that Renesas products may not be easily detached from your products. Renesas shall have no liability for damages arising out of such detachment.
12. This document may not be reproduced or duplicated, in any form, in whole or in part, without prior written approval from Renesas.
13. Please contact a Renesas sales office if you have any questions regarding the information contained in this document, Renesas semiconductor products, or if you have any other inquiries.



RENESAS SALES OFFICES

<http://www.renesas.com>

Refer to "<http://www.renesas.com/en/network>" for the latest and detailed information.

Renesas Technology America, Inc.
450 Holger Way, San Jose, CA 95134-1368, U.S.A
Tel: <1> (408) 382-7500, Fax: <1> (408) 382-7501

Renesas Technology Europe Limited
Dukes Meadow, Millboard Road, Bourne End, Buckinghamshire, SL8 5FH, U.K.
Tel: <44> (1628) 585-100, Fax: <44> (1628) 585-900

Renesas Technology (Shanghai) Co., Ltd.
Unit 204, 205, AZIACenter, No.1233 Lujiazui Ring Rd, Pudong District, Shanghai, China 200120
Tel: <86> (21) 5877-1818, Fax: <86> (21) 6887-7858/7898

Renesas Technology Hong Kong Ltd.
7th Floor, North Tower, World Finance Centre, Harbour City, Canton Road, Tsimshatsui, Kowloon, Hong Kong
Tel: <852> 2265-6688, Fax: <852> 2377-3473

Renesas Technology Taiwan Co., Ltd.
10th Floor, No.99, Fushing North Road, Taipei, Taiwan
Tel: <886> (2) 2715-2888, Fax: <886> (2) 3518-3399

Renesas Technology Singapore Pte. Ltd.
1 Harbour Front Avenue, #06-10, Keppel Bay Tower, Singapore 098632
Tel: <65> 6213-0200, Fax: <65> 6278-8001

Renesas Technology Korea Co., Ltd.
Kukje Center Bldg. 18th Fl., 191, 2-ka, Hangang-ro, Yongsan-ku, Seoul 140-702, Korea
Tel: <82> (2) 796-3115, Fax: <82> (2) 796-2145

Renesas Technology Malaysia Sdn. Bhd
Unit 906, Block B, Menara Amcorp, Amcorp Trade Centre, No.18, Jln Persiaran Barat, 46050 Petaling Jaya, Selangor Darul Ehsan, Malaysia
Tel: <603> 7955-9390, Fax: <603> 7955-9510