

CERAMIC SURFACE MOUNT LOW PROFILE MICROPROCESSOR CRYSTAL



7.2 x 5.2 x 1.1 mm

ABMM1



RoHS Compliant

FEATURES:

- IR reflow capable
- Low in height - reduced to 1.1mm
- Ideal for thin equipment
- AT cut offers a tight tolerance & stability

APPLICATIONS:

- Computers, Modems, Microprocessors
- Communication, Test equipment
- PCMCIA

STANDARD SPECIFICATIONS:

| PARAMETERS | |
|---|---|
| ABRACON P/N | ABMM1 Series |
| Frequency Range | 8.0 MHz to 125 MHz |
| Operation Mode | AT (see option) Fundamental 8.0 MHz - 33.0 MHz Third-Overtone for F ~ 33.01 MHz - 125 MHz |
| Operating Temperature | - 10°C to + 60°C (see options) |
| Storage Temperature | - 40°C to + 85°C |
| Frequency Tolerance at +25°C | ± 50 ppm max. (see options) |
| Frequency Stability over the Operating Temp. (Ref to +25°C) | ± 50 ppm max. (see Table 1); ± 100 ppm / -10 °C to + 60° C for Fundamental BT |
| Equivalent Series Resistance | See Table 1 |
| Shunt Capacitance C ₀ | 7pF max. |
| Load Capacitance C _L | 18pF (see options) |
| Drive Level | 500µW max., 100µW typical |
| Aging at 25°C First Year | ± 5ppm max. |
| Insulation Resistance | 500Mohms min at 100Vdc ± 15V |

TABLE 1

| Frequency (MHz) | Custom ESR (ohms) |
|-------------------------|-------------------|
| 8.000 - 11.999(Fund) | 70 |
| 12.000 - 19.999(Fund) | 50 |
| 20.000 - 33.000(Fund) | 40 |
| 33.01 - 125.00(3rd O/T) | 80 |

OPTIONS & PART IDENTIFICATION:

(Left blank if standard)

ABMM1 - Frequency - - R - - - - - -

| Frequency |
|-------------|
| XX.XXXX MHz |

| Load Capacitance |
|---|
| Please specify CL in pF or S for Series |

| Custom ESR |
|---------------------------------------|
| RXXX (Value in Ω). If it is custom |

| Operating Temp. | |
|-----------------|---------------|
| E | 0°C ~ +70°C |
| B | -20°C ~ +70°C |
| C | -30°C ~ +70°C |
| N | -30°C ~ +85°C |
| D | -40°C ~ +85°C |

| Freq. Tolerance | |
|-----------------|---------------|
| 1 | ± 10 ppm max. |
| 7 | ± 15 ppm max. |
| 2 | ± 20 ppm max. |
| 3 | ± 25 ppm max. |
| 4 | ± 30 ppm max. |

| Packaging | |
|-----------|-------------|
| Blank | Bulk |
| T | Tape & Reel |

| Mode | |
|-----------------------|--|
| F for Fund. AT>=33MHz | |
| FB for Fund BT* | |

(* Note: ±100ppm max stability from -10°C to +60°C only.

| Freq. Stability | |
|-----------------|---------------|
| U** | ± 10 ppm max. |
| G*** | ± 15 ppm max. |
| X | ± 20 ppm max. |
| W | ± 25 ppm max. |
| Y | ± 30 ppm max. |
| H | ± 35 ppm max. |

** -10°C TO 60°C only

*** Temp option E and B only

ABRACON IS
ISO 9001 / QS 9000
CERTIFIED



ABRACON CORPORATION

Visit www.abracon.com for Terms & Conditions of Sale **Revised: 09.19.08**

30332 Esperanza, Rancho Santa Margarita, California 92688

tel 949-546-8000 | fax 949-546-8001 | www.abracon.com

CERAMIC SURFACE MOUNT LOW PROFILE MICROPROCESSOR CRYSTAL

ABMM1

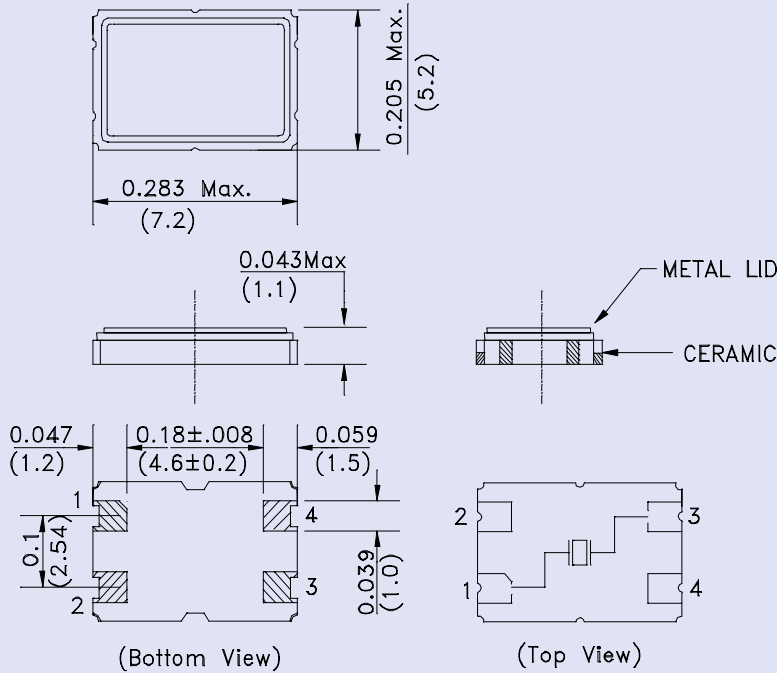


RoHS
Compliant

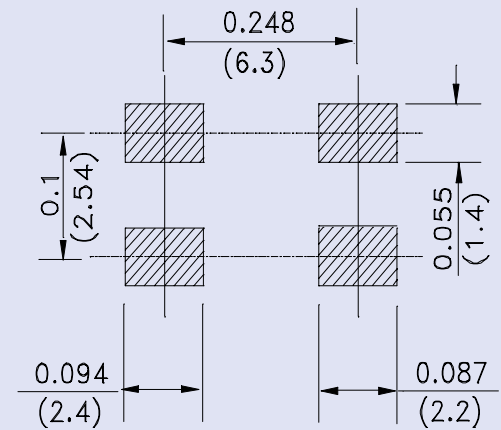


7.2 x 5.2 x 1.1 mm

OUTLINE DRAWING:



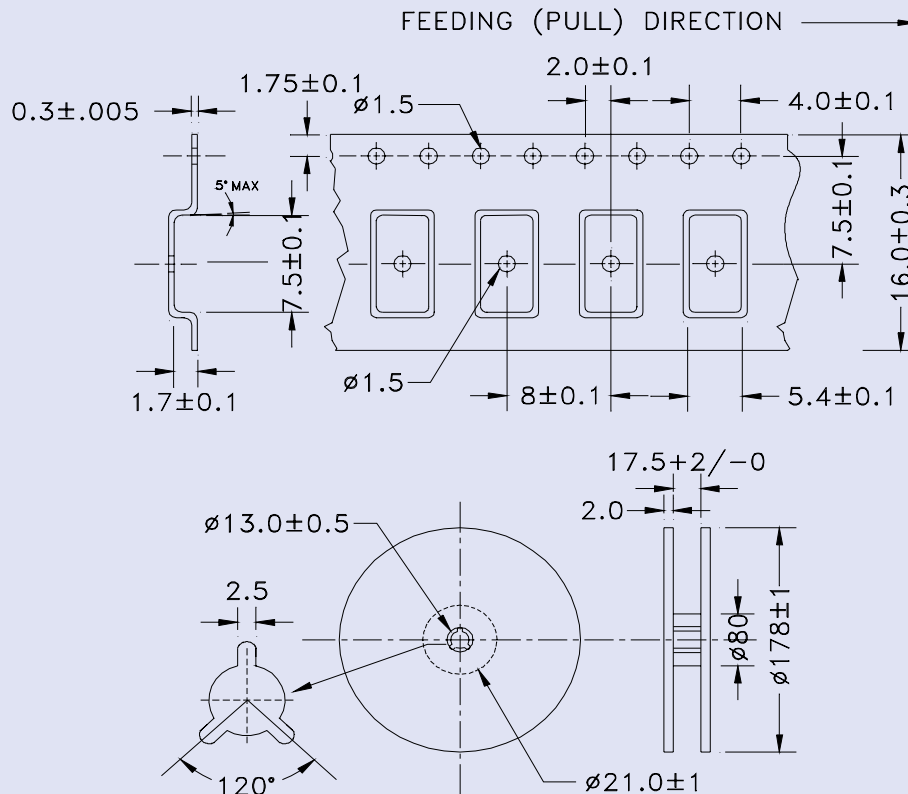
Recommended Land Pattern



Pads 2 and 4 are connected to metal lid.

Dimensions: Inches (mm)

TAPE & REEL:



Dimensions: (mm)