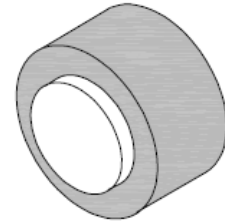


### 35A Controlled Avalanche TVS

#### Features

- High Power Capacity
- Avalanche Voltage 24 to 32V
- High Surge Current Capability
- Low Cost Construction Utilizing Void-Free Molded Plastic Technique
- RoHS Compliance



ARS



#### Mechanical Data

<b>Case:</b>	ARS, molded plastic body
<b>Epoxy:</b>	Plastic package has UL flammability classification 94V-0
<b>Terminals:</b>	Plated terminals solderable per MIL-STD-202, Method 208
<b>Polarity:</b>	Color ring denotes cathode end
<b>Weight:</b>	1.8 grams

#### Maximum Ratings and Electrical Characteristics ( $T_A=25^{\circ}\text{C}$ unless noted otherwise)

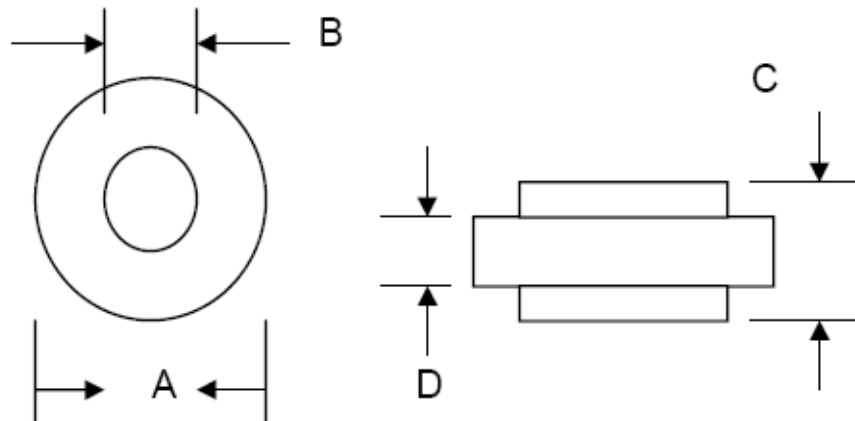
Symbol	Description	ARS2535	Unit	Conditions
<b>V<sub>RRM</sub></b>	Maximum Repetitive Peak Reverse Voltage	20	V	
<b>V<sub>RWM</sub></b>	Maximum Working Peak Reverse Voltage	20	V	
<b>V<sub>DC</sub></b>	Maximum DC Blocking Voltage	20	V	
<b>I<sub>AV</sub></b>	Maximum Average Rectified Output Current	35	A	T <sub>C</sub> =125° C
<b>V<sub>BR</sub></b>	Breakdown Voltage	Min.	24	V I <sub>R</sub> =100mA
		Max.	32	
<b>I<sub>FSM</sub></b>	Non-Repetitive Peak Forward Surge Current	500	A	8.3ms single half sine-wave superimposed on rated load (JEDEC Method)

# 35A Controlled Avalanche TVS

## ARS2535

Symbol	Description	ARS2535	Unit	Conditions
<b>IPPM</b>	Maximum Peak Pulse Current	110	A	
<b>VF</b>	Forward Voltage	1.08	V	IF=100A
<b>IRM</b>	Peak Reverse Current at Rated DC Blocking Voltage	200	nA	TC=25° C
<b>TJ, TSTG</b>	Operating Junction and Storage Temperature Range	-50 to +175	° C	

### Dimensions in mm



Dim	ARS	
	Min	Max
<b>A</b>	8.31	8.81
<b>B</b>	5.54	5.64
<b>C</b>	5.94	6.25
<b>D</b>	4.19	4.45

### How to contact us:

#### **US HEADQUARTERS**

28040 WEST HARRISON PARKWAY, VALENCIA, CA 91355-4162

Tel: (800) TAITRON (800) 824-8766 (661) 257-6060

Fax: (800) TAITFAX (800) 824-8329 (661) 257-6415

Email: [taitron@taitroncomponents.com](mailto:taitron@taitroncomponents.com)

Http://[www.taitroncomponents.com](http://www.taitroncomponents.com)

#### **TAITRON COMPONENTS MEXICO, S.A .DE C.V.**

BOULEVARD CENTRAL 5000 INTERIOR 5 PARQUE INDUSTRIAL ATITALAQUIA, HIDALGO C.P.  
42970 MEXICO

Tel: +52-55-5560-1519

Fax: +52-55-5560-2190

#### **TAITRON COMPONETS INCORPORATED E REPRESENTAÇÕES DO BRASIL LTDA**

RUA DOMINGOS DE MORAIS, 2777, 2.ANDAR, SALA 24 SAÚDE - SÃO PAULO-SP 04035-001 BRAZIL

Tel: +55-11-5574-7949

Fax: +55-11-5572-0052

#### **TAITRON COMPONETS INCORPORATED, SHANGHAI REPRESENTATIVE OFFICE**

METROBANK PLAZA, 1160 WEST YAN' AN ROAD, SUITE 1503, SHANGHAI, 200052, CHINA

Tel: +86-21-5424-9942

Fax: +86-21-5424-9931