



256K (32K x 8) Static RAM

Features

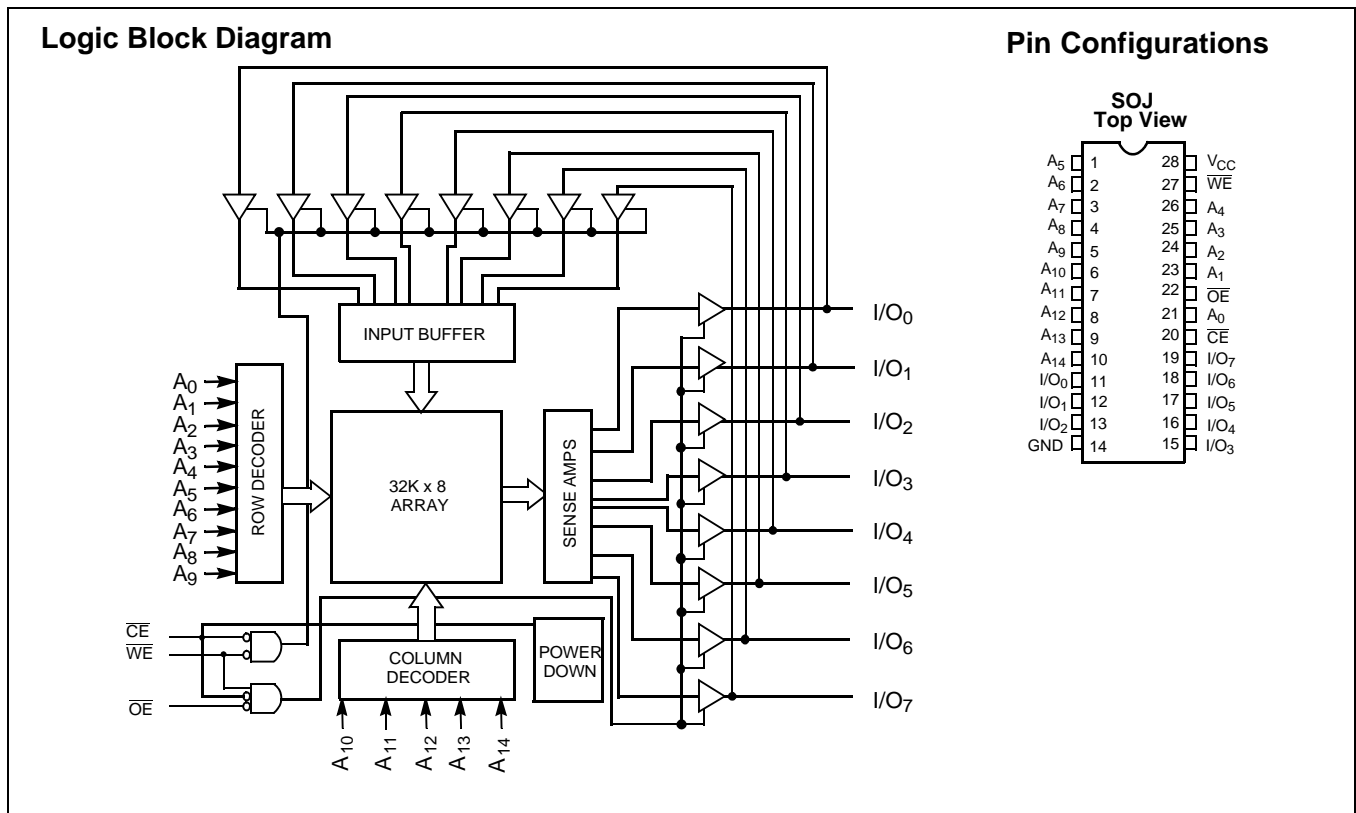
- Pin- and function-compatible with CY7C1399B
- Single 3.3V power supply
- Ideal for low-voltage cache memory applications
- High speed
 - $t_{AA} = 8 \text{ ns}$
- Low active power
 - $I_{CC} = 60 \text{ mA @ } 10 \text{ ns}$
- Low CMOS standby power
 - $I_{SB2} = 1.2 \text{ mA ("L" Version only)}$
- Data Retention at 2.0V
- Available in 28-SOJ and 28-TSOP I Pb-Free packages

Functional Description^[1]

The CY7C1399D is a high-performance 3.3V CMOS Static RAM organized as 32,768 words by 8 bits. Easy memory expansion is provided by an active LOW Chip Enable (\overline{CE}) and active LOW Output Enable (\overline{OE}) and tri-state drivers. The device has an automatic power-down feature, reducing the power consumption when deselected.

An active LOW Write Enable signal (\overline{WE}) controls the writing/reading operation of the memory. When \overline{CE} and \overline{WE} inputs are both LOW, data on the eight data input/output pins (I/O_0 through I/O_7) is written into the memory location addressed by the address present on the address pins (A_0 through A_{14}). Reading the device is accomplished by selecting the device and enabling the outputs, \overline{CE} and \overline{OE} active LOW, while \overline{WE} remains inactive or HIGH. Under these conditions, the contents of the location addressed by the information on address pins is present on the eight data input/output pins.

The input/output pins remain in a high-impedance state unless the chip is selected, outputs are enabled, and Write Enable (\overline{WE}) is HIGH. The CY7C1399D is available in 28-pin standard 300-mil-wide SOJ and TSOP Type I Pb-Free packages.



Note:

1. For guidelines on SRAM system design, please refer to the 'System Design Guidelines' Cypress application note, available on the internet at www.cypress.com.

Selection Guide

		1399D-10	1399D-12	1399D-15	Unit
Maximum Access Time		10	12	15	ns
Maximum Operating Current		60	50	40	mA
Maximum CMOS Standby Current		3.0	3.0	3.0	mA
	L	1.2	1.2	1.2	

Pin Configuration
**TSOP I
Top View**


Maximum Ratings

(Above which the useful life may be impaired. For user guidelines, not tested.)

Storage Temperature -65°C to +150°C
 Ambient Temperature with Power Applied..... -55°C to +125°C
 Supply Voltage on V_{CC} to Relative GND^[2] -0.5V to +4.6V
 DC Voltage Applied to Outputs in High-Z State^[2] -0.5V to $V_{CC} + 0.5V$

DC Input Voltage^[2] -0.5V to $V_{CC} + 0.5V$
 Output Current into Outputs (LOW)..... 20 mA
 Static Discharge Voltage..... > 2001V (per MIL-STD-883, Method 3015)
 Latch-up Current..... > 200 mA

Operating Range

Range	Ambient Temperature	V_{CC}
Commercial	0°C to +70°C	3.3V ±300 mV
Industrial	-40°C to +85°C	3.3V ±300 mV

Electrical Characteristics Over the Operating Range

Parameter	Description	Test Conditions	7C1399D-10		7C1399D-12		Unit
			Min.	Max.	Min.	Max.	
V_{OH}	Output HIGH Voltage	$V_{CC} = \text{Min.}, I_{OH} = -4.0 \text{ mA}$	2.4		2.4		V
V_{OL}	Output LOW Voltage	$V_{CC} = \text{Min.}, I_{OL} = 8.0 \text{ mA}$		0.4		0.4	V
V_{IH}	Input HIGH Voltage		2.0	$V_{CC} + 0.3V$	2.0	$V_{CC} + 0.3V$	V
V_{IL}	Input LOW Voltage ^[2]		-0.3	0.8	-0.3	0.8	V
I_{IX}	Input Load Current		-1	+1	-1	+1	µA
I_{OZ}	Output Leakage Current	$GND \leq V_I \leq V_{CC}$, Output Disabled	-1	+1	-1	+1	µA
I_{OS}	Output Short Circuit Current ^[3]	$V_{CC} = \text{Max.}, V_{OUT} = GND$		-300		-300	mA
I_{CC}	V_{CC} Operating Supply Current	$V_{CC} = \text{Max.}, I_{OUT} = 0 \text{ mA}, f = f_{MAX} = 1/t_{RC}$		60		50	mA
I_{SB1}	Automatic CE Power-down Current — TTL Inputs	Max. $V_{CC}, \overline{CE} \geq V_{IH}, V_{IN} \geq V_{IH}$, or $V_{IN} \leq V_{IL}, f = f_{MAX}$		10		10	mA
			L	10		10	mA
I_{SB2}	Automatic CE Power-down Current — CMOS Inputs ^[4]	Max. $V_{CC}, \overline{CE} \geq V_{CC} - 0.3V, V_{IN} \geq V_{CC} - 0.3V$, or $V_{IN} \leq 0.3V, WE \geq V_{CC} - 0.3V$ or $WE \leq 0.3V, f = f_{MAX}$		3.0		3.0	mA
			L	1.2		1.2	mA

Parameter	Description	Test Conditions	7C1399D-15		Unit
			Min.	Max.	
V_{OH}	Output HIGH Voltage	$V_{CC} = \text{Min.}, I_{OH} = -4.0 \text{ mA}$	2.4		V
V_{OL}	Output LOW Voltage	$V_{CC} = \text{Min.}, I_{OL} = 8.0 \text{ mA}$		0.4	V
V_{IH}	Input HIGH Voltage		2.0	$V_{CC} + 0.3V$	V
V_{IL}	Input LOW Voltage		-0.3	0.8	V
I_{IX}	Input Load Current		-1	+1	µA
I_{OZ}	Output Leakage Current	$GND \leq V_I \leq V_{CC}$, Output Disabled	-1	+1	µA
I_{OS}	Output Short Circuit Current ^[3]	$V_{CC} = \text{Max.}, V_{OUT} = GND$		-300	mA
I_{CC}	V_{CC} Operating Supply Current	$V_{CC} = \text{Max.}, I_{OUT} = 0 \text{ mA}, f = f_{MAX} = 1/t_{RC}$		40	mA
I_{SB1}	Automatic CE Power-Down Current — TTL Inputs	Max. $V_{CC}, \overline{CE} \geq V_{IH}, V_{IN} \geq V_{IH}$, or $V_{IN} \leq V_{IL}, f = f_{MAX}$		10	mA
			L	10	mA
I_{SB2}	Automatic CE Power-Down Current — CMOS Inputs ^[4]	Max. $V_{CC}, \overline{CE} \geq V_{CC} - 0.3V, V_{IN} \geq V_{CC} - 0.3V$, or $V_{IN} \leq 0.3V, WE \geq V_{CC} - 0.3V$ or $WE \leq 0.3V, f = f_{MAX}$		3.0	mA
			L	1.2	mA

Notes:

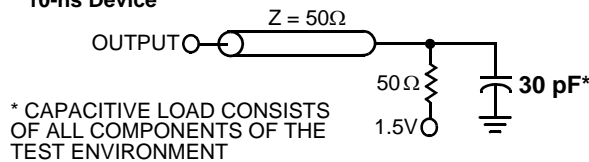
- $V_{IL}(\text{min.}) = -2.0V$ and $V_{IH}(\text{max.}) = V_{CC} + 2V$ for pulse durations of less than 20 ns.
- Not more than one output should be shorted at one time. Duration of the short circuit should not exceed 30 seconds.
- Device draws low standby current regardless of switching on the addresses.
- Tested initially and after any design or process changes that may affect these parameters.

Capacitance^[5]

Parameter	Description	Test Conditions	Max.	Unit
C _{IN} : Addresses	Input Capacitance	T _A = 25°C, f = 1 MHz, V _{CC} = 3.3V	5	pF
C _{IN} : Controls			6	pF
C _{OUT}	Output Capacitance		6	pF

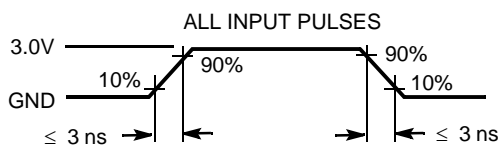
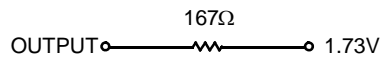
Thermal Resistance^[5]

Parameter	Description	Test Conditions	All – Packages	Unit
Θ _{JA}	Thermal Resistance (Junction to Ambient) ^[5]	Still Air, soldered on a 3 × 4.5 inch, two-layer printed circuit board	TBD	°C/W
Θ _{JC}	Thermal Resistance (Junction to Case) ^[5]		TBD	°C/W

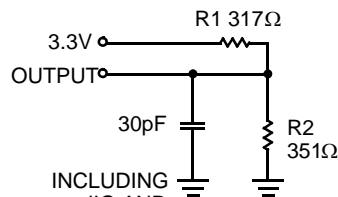
AC Test Loads and Waveforms
10-ns Device


(a)

Equivalent to: THÉVENIN EQUIVALENT

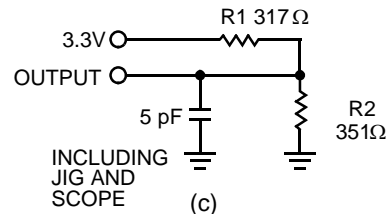


(d)

12-ns Device


(b)

INCLUDING JIG AND SCOPE

High-Z characteristics:


(c)

Switching Characteristics Over the Operating Range^[7]

Parameter	Description	1399D-10		1399D-12		1399D-15		Unit
		Min.	Max.	Min.	Max.	Min.	Max.	
Read Cycle								
t _{power} ^[6]	V _{CC} (typical) to the first access	100		100		100		μs
t _{RC}	Read Cycle Time	10		12		15		ns
t _{AA}	Address to Data Valid		10		12		15	ns
t _{OHA}	Data Hold from Address Change	3		3		3		ns
t _{ACE}	$\overline{\text{CE}}$ LOW to Data Valid		10		12		15	ns
t _{DOE}	$\overline{\text{OE}}$ LOW to Data Valid		5		5		6	ns
t _{LZOE}	$\overline{\text{OE}}$ LOW to Low Z ^[8]	0		0		0		ns
t _{HZOE}	$\overline{\text{OE}}$ HIGH to High Z ^[8, 9]		5		5		6	ns
t _{LZCE}	$\overline{\text{CE}}$ LOW to Low Z ^[8]	3		3		3		ns

Notes:

 6. t_{POWER} gives the minimum amount of time that the power supply should be at typical V_{CC} values until the first memory access can be performed.

 7. Test conditions assume signal transition time of 3 ns or less, timing reference levels of 1.5V, input pulse levels of 0 to 3.0V, and output loading of the specified I_{OL}/I_{OH} and capacitance C_L = 30 pF.

Switching Characteristics Over the Operating Range (continued)^[7]

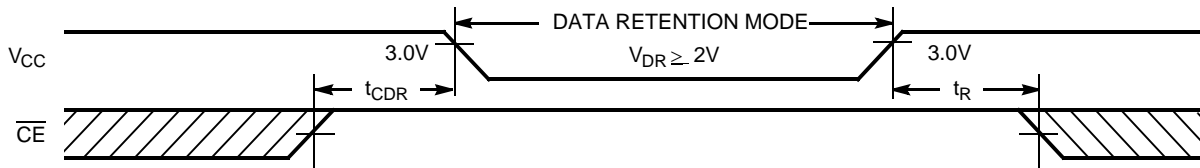
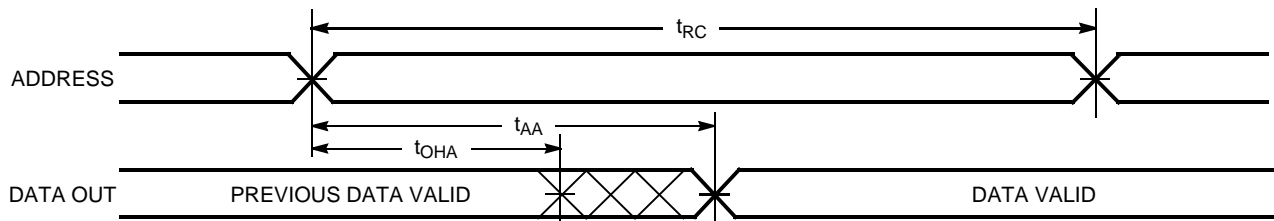
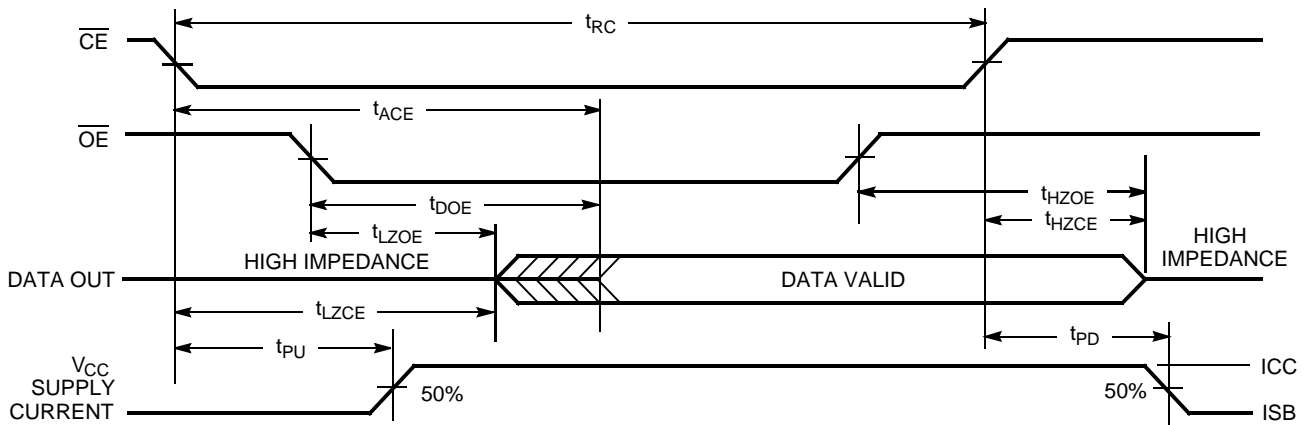
Parameter	Description	1399D-10		1399D-12		1399D-15		Unit
		Min.	Max.	Min.	Max.	Min.	Max.	
t _{HZCE}	\overline{CE} HIGH to High Z ^[8, 9]		5		6		7	ns
t _{PU}	\overline{CE} LOW to Power-Up	0		0		0		ns
t _{PD}	\overline{CE} HIGH to Power-Down		10		12		15	ns
Write Cycle ^[10, 11]								
t _{WC}	Write Cycle Time	10		12		15		ns
t _{SCE}	\overline{CE} LOW to Write End	8		8		10		ns
t _{AW}	Address Set-Up to Write End	7		8		10		ns
t _{HA}	Address Hold from Write End	0		0		0		ns
t _{SA}	Address Set-Up to Write Start	0		0		0		ns
t _{PWE}	\overline{WE} Pulse Width	7		8		10		ns
t _{SD}	Data Set-Up to Write End	5		7		8		ns
t _{HD}	Data Hold from Write End	0		0		0		ns
t _{HZWE}	\overline{WE} LOW to High Z ^[10]		7		7		7	ns
t _{LZWE}	\overline{WE} HIGH to Low Z ^[8]	3		3		3		ns

Notes:

8. At any given temperature and voltage condition, t_{HZCE} is less than t_{LZCE}, t_{HZOE} is less than t_{LZOE}, and t_{HZWE} is less than t_{LZWE} for any given device.
9. t_{HZOE}, t_{HZCE}, t_{HZWE} are specified with C_L = 5 pF as in AC Test Loads. Transition is measured ±200 mV from steady state voltage.
10. The internal write time of the memory is defined by the overlap of \overline{CE} LOW and \overline{WE} LOW. Both signals must be LOW to initiate a write and either signal can terminate a write by going HIGH. The data input set-up and hold timing should be referenced to the rising edge of the signal that terminates the write.
11. The minimum write cycle time for write cycle #3 (\overline{WE} controlled, \overline{OE} LOW) is the sum of t_{HZWE} and t_{SD}.

Data Retention Characteristics (Over the Operating Range)

Parameter	Description	Conditions	Min.	Max.	Unit
V_{DR}	V_{CC} for Data Retention		2.0		V
I_{CCDR}	Data Retention Current	Non-L, Com'l / Ind'l		3	mA
		L-Version Only		1.2	mA
$t_{CDR}^{[5]}$	Chip Deselect to Data Retention Time	$V_{CC} = V_{DR} = 2.0V$, $CE \geq V_{CC} - 0.3V$, $V_{IN} \geq V_{CC} - 0.3V$ or $V_{IN} \leq 0.3V$	0		ns
$t_R^{[12]}$	Operation Recovery Time		t_{RC}		ns

Data Retention Waveform

Switching Waveforms
Read Cycle No. 1^[13, 14]

Read Cycle No. 2^[14, 15]

Notes:

12. Full device operation requires linear V_{CC} ramp from V_{DR} to $V_{CC(min.)} \geq 50 \mu s$ or stable at $V_{CC(min.)} \geq 50 \mu s$.
13. Device is continuously selected. $OE, CE = V_L$.
14. WE is HIGH for read cycle.
15. Address valid prior to or coincident with \overline{CE} transition LOW.

Truth Table

CE	WE	OE	Input/Output	Mode	Power
H	X	X	High Z	Deselect/Power-Down	Standby (I_{SB})
L	H	L	Data Out	Read	Active (I_{CC})
L	L	X	Data In	Write	Active (I_{CC})
L	H	H	High Z	Deselect, Output Disabled	Active (I_{CC})

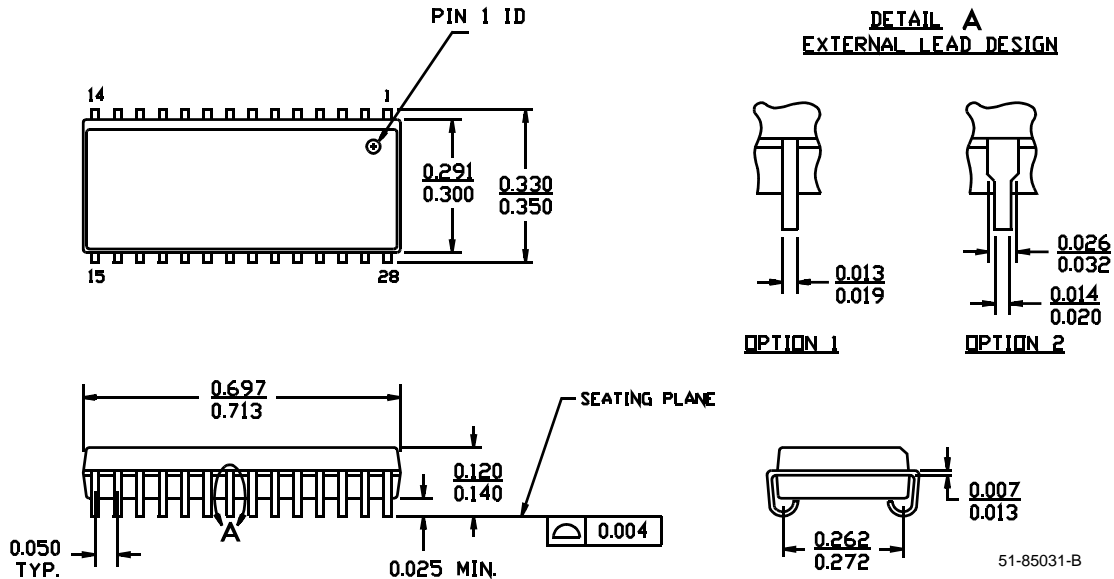
Ordering Information

Speed (ns)	Ordering Code	Package Name	Package Type	Operating Range
10	CY7C1399D-10VXC	V21	28-Lead Molded SOJ (Pb-Free)	Commercial
	CY7C1399D-10ZXC	Z28	28-Lead Thin Small Outline Package (Pb-Free)	
	CY7C1399DL-10VXC	V21	28-Lead Molded SOJ (Pb-Free)	
	CY7C1399DL-10ZXC	Z28	28-Lead Thin Small Outline Package (Pb-Free)	
	CY7C1399D-10VXI	V21	28-Lead Molded SOJ (Pb-Free)	Industrial
	CY7C1399D-10ZXI	Z28	28-Lead Thin Small Outline Package (Pb-Free)	
	CY7C1399DL-10VXI	V21	28-Lead Molded SOJ (Pb-Free)	
	CY7C1399DL-10ZXI	Z28	28-Lead Thin Small Outline Package (Pb-Free)	
12	CY7C1399D-12VXC	V21	28-Lead Molded SOJ (Pb-Free)	Commercial
	CY7C1399D-12ZXC	Z28	28-Lead Thin Small Outline Package (Pb-Free)	
	CY7C1399DL-12VXC	V21	28-Lead Molded SOJ (Pb-Free)	
	CY7C1399DL-12ZXC	Z28	28-Lead Thin Small Outline Package (Pb-Free)	
	CY7C1399D-12VXI	V21	28-Lead Molded SOJ (Pb-Free)	Industrial
	CY7C1399D-12ZXI	Z28	28-Lead Thin Small Outline Package (Pb-Free)	
	CY7C1399DL-12VXI	V21	28-Lead Molded SOJ (Pb-Free)	
	CY7C1399DL-12ZXI	Z28	28-Lead Thin Small Outline Package (Pb-Free)	
15	CY7C1399D-15VXC	V21	28-Lead Molded SOJ (Pb-Free)	Commercial
	CY7C1399D-15ZXC	Z28	28-Lead Thin Small Outline Package (Pb-Free)	
	CY7C1399DL-15VXC	V21	28-Lead Molded SOJ (Pb-Free)	
	CY7C1399DL-15ZXC	Z28	28-Lead Thin Small Outline Package (Pb-Free)	
	CY7C1399D-15VXI	V21	28-Lead Molded SOJ (Pb-Free)	Industrial
	CY7C1399D-15ZXI	Z28	28-Lead Thin Small Outline Package (Pb-Free)	
	CY7C1399DL-15VXI	V21	28-Lead Molded SOJ (Pb-Free)	
	CY7C1399DL-15ZXI	Z28	28-Lead Thin Small Outline Package (Pb-Free)	

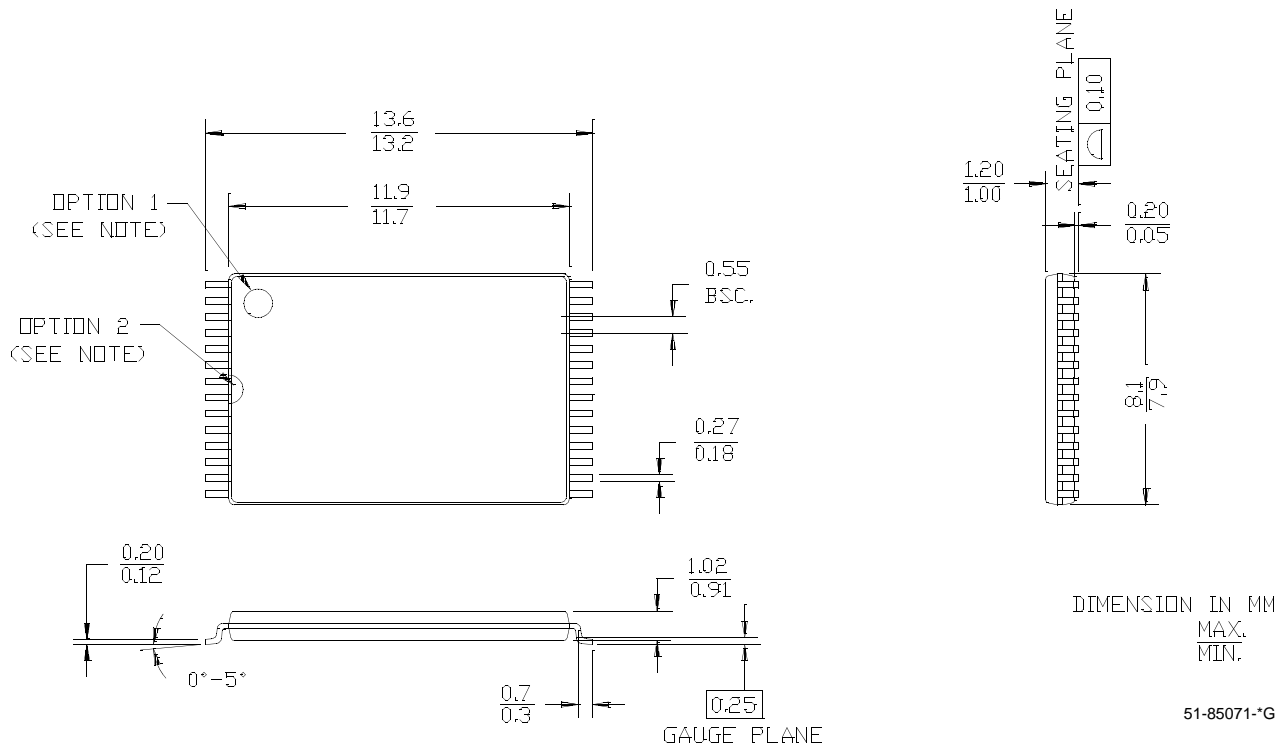
Shaded areas contain advance information. Please contact your local Cypress sales representative for availability of these parts.

Package Diagrams

28-Lead (300-Mil) Molded SOJ V21
 DIMENSIONS IN INCHES MIN.
MAX.


28-Lead Thin Small Outline Package Type 1 (8x13.4 mm) Z28

NOTE: ORIENTATION I.D. MAY BE LOCATED EITHER AS SHOWN IN OPTION 1 OR OPTION 2



All product and company names mentioned in this document may be the trademarks of their respective holders.

Document History Page

Document Title: CY7C1399D 256K (32K x 8) Static RAM (Preliminary) Document Number: 38-05467				
REV.	Ecn No.	Issue Date	Orig. of Change	Description of Change
**	201560	See ECN	SWI	Advance Information data sheet for C9 IPP
*A	233722	See ECN	RKF	DC parameters are modified as per EROS (Spec # 01-2165) Pb-free offering in the 'ordering information
*B	262950	See ECN	RKF	Added T _{power} Spec in Switching Characteristics table Shaded Ordering Information
*C	307594	See ECN	RKF	Reduced Speed bins to -10, -12 and -15 ns