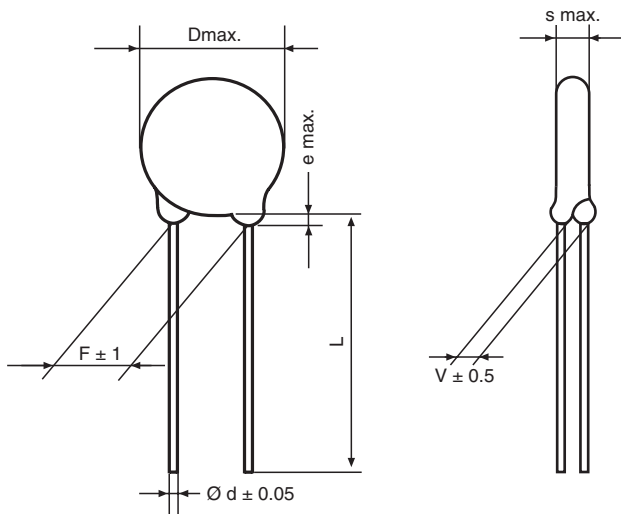


# Ceramic High Voltage Disc Capacitors, Class 1



Dimensions in mm

	COATING EXTENSION e	BULK STANDARD LEAD LENGTH L
ALL TYPES	3 max.	30.0 + 0 - 3 or 6.0 ± 1

**COATING:**

Epoxy dipped, insulating,  
Flame retarding acc. to UL 94V-0

**TEMPERATURE CHARACTERISTIC OF CAPACITANCE:**

See General Information

**LEAD CONFIGURATION & TAPING:**

See General Information

**MARKING:**

Capacitance value	Clear text
Capacitance tolerance	With letter code
Rated voltage	Clear text
Ceramic Dielectric	With letter code U
Manufacturers logo	Where D ≥ 13 mm only

**DESIGN:**

Disc capacitors with epoxy coating

**RATED VOLTAGE  $U_R$ :**

HAU	1 kV <sub>DC</sub>
HBU	2 kV <sub>DC</sub>
HCU	3 kV <sub>DC</sub>
HDU	4 kV <sub>DC</sub>
HEU	5 kV <sub>DC</sub>
HFU	6 kV <sub>DC</sub>

**DIELECTRIC STRENGTH BETWEEN LEADS:**

Component test

HAU	1750 kV <sub>DC</sub> , 2 s
HBU	3000 kV <sub>DC</sub> , 2 s
HCU	5000 kV <sub>DC</sub> , 2 s
HDU	6000 kV <sub>DC</sub> , 2 s
HEU	7500 kV <sub>DC</sub> , 2 s
HFU	9000 kV <sub>DC</sub> , 2 s

**DISSIPATION FACTOR  $\tan \delta$ :**

$$C < 30 \text{ pF: } \left(\frac{100}{C} + 7\right) \cdot 10^{-4}$$

$$C \geq 30 \text{ pF: } \leq 10 \cdot 10^{-4}$$

**INSULATION RESISTANCE  $R_{IS}$ :**

$$\geq 1 \cdot 10^{10} \Omega$$

**CATEGORY TEMPERATURE RANGE  $\vartheta_A$ :**

(- 40 to + 85) °C

**CLIMATIC CATEGORY ACC. TO EN 60068-1:**

40 / 085 / 21


**RoHS**  
COMPLIANT

**ORDERING INFORMATION**

HAU	220	K	BA	CD0	K	R
MODEL	CAPACITANCE VALUE	TOLERANCE	RATED VOLTAGE	LEAD CONFIGURATION	INTERNAL CODE	RoHS COMPLIANT

ORDERING INFORMATION, CERAMIC HIGH VOLTAGE DISC CAPACITORS, 1 KV (DC)							
C (pF)	TOL. (%)	D x s (mm)	F ± 1* (mm)	d ± 0.05* (mm)	V ± 0.5* (mm)	CERAMIC CODE	ORDERING CODE
<b>CLASS 1 N 750</b>							
10	± 10 %	7.0 x 3.0	7.5	0.6	1.4	U	HAU100□BA□□□KR
15		7.0 x 3.0					HAU150□BA□□□KR
22		7.0 x 3.0					HAU220□BA□□□KR
33		8.0 x 3.0					HAU330□BA□□□KR
47		8.0 x 3.0					HAU470□BA□□□KR
68		8.0 x 3.0					HAU680□BA□□□KR
82		8.0 x 3.0					HAU820□BA□□□KR
100		8.0 x 3.0					HAU101□BA□□□KR
150		10.0 x 3.5					HAU151□BA□□□KR
220		11.0 x 3.5					HAU221□BA□□□KR
330		12.5 x 3.5					HAU331□BA□□□KR
470		14.5 x 3.5					HAU471□BA□□□KR
560		16.5 x 3.5					HAU561□BA□□□KR
680		16.5 x 3.5					HAU681□BA□□□KR

ORDERING INFORMATION, CERAMIC HIGH VOLTAGE DISC CAPACITORS, 2 KV (DC)							
C (pF)	TOL. (%)	D x s (mm)	F ± 1* (mm)	d ± 0.05* (mm)	V ± 0.5* (mm)	CERAMIC CODE	ORDERING CODE
<b>CLASS 1 N 750</b>							
10	± 10 %	7.0 x 4.0	7.5	0.6	1.2	U	HBU100□BB□□□KR
15		7.0 x 4.0					HBU150□BB□□□KR
22		7.0 x 4.0					HBU220□BB□□□KR
33		7.0 x 4.0			1.3		HBU330□BB□□□KR
47		7.0 x 4.0					HBU470□BB□□□KR
68		8.0 x 4.0			1.4		HBU680□BB□□□KR
82		8.0 x 4.0					HBU820□BB□□□KR
100		10.0 x 4.2					HBU101□BB□□□KR
150		10.0 x 4.2					HBU151□BB□□□KR
220		12.0 x 4.2					HBU221□BB□□□KR
330		15.0 x 4.2					HBU331□BB□□□KR
470		17.0 x 4.2					HBU471□BB□□□KR

ORDERING INFORMATION, CERAMIC HIGH VOLTAGE DISC CAPACITORS, 3 KV (DC)							
C (pF)	TOL. (%)	D x s (mm)	F ± 1* (mm)	d ± 0.05* (mm)	V ± 0.5* (mm)	CERAMIC CODE	ORDERING CODE
<b>CLASS 1 N 750</b>							
10	± 10 %	7.0 x 4.0	10.0	0.6	1.3	U	HCU100□BC□□□KR
15		7.0 x 4.0					HCU150□BC□□□KR
22		7.0 x 4.0					HCU220□BC□□□KR
33		7.0 x 4.0			1.4		HCU330□BC□□□KR
47		8.0 x 4.0					HCU470□BC□□□KR
68		9.0 x 4.0			1.6		HCU680□BC□□□KR
82		10.0 x 4.4					HCU820□BC□□□KR
100		10.0 x 4.4					HCU101□BC□□□KR
150		11.0 x 4.4					HCU151□BC□□□KR
220		15.0 x 4.4					HCU221□BC□□□KR
330		17.0 x 4.4					HCU331□BC□□□KR

\* Standard lead configuration, other lead spacing and diameter available on request.

ORDERING CODE			
□	7th digit	Capacitance Tolerance	± 10 % = K
□□□	10th to 12th digit	Lead Configuration (See General Information)	
R	14th digit	RoHS Compliant Component	



ORDERING INFORMATION, CERAMIC HIGH VOLTAGE DISC CAPACITORS, 4 KV (DC)							
C (pF)	TOL. (%)	D x s (mm)	F ± 1* (mm)	d ± 0.05* (mm)	V ± 0.5* (mm)	CERAMIC CODE	ORDERING CODE
<b>CLASS 1 N 750</b>							
10	± 10 %	7.0 x 4.3	10.0	0.6	1.4	U	HDU100□BD□□□KR
15		7.0 x 4.3					HDU150□BD□□□KR
22		7.0 x 4.3					HDU220□BD□□□KR
33		7.0 x 4.3					HDU330□BD□□□KR
47		9.5 x 4.3					HDU470□BD□□□KR
68		9.5 x 4.7					HDU680□BD□□□KR
82		11.0 x 4.7		0.8	1.9		HDU820□BD□□□KR
100		11.0 x 4.7					HDU101□BD□□□KR
150		13.0 x 4.7					HDU151□BD□□□KR
220		15.0 x 4.7					HDU221□BD□□□KR
330		17.0 x 4.7					HDU331□BD□□□KR
470		20.0 x 4.7					HDU471□BD□□□KR

ORDERING INFORMATION, CERAMIC HIGH VOLTAGE DISC CAPACITORS, 5 KV (DC)							
C (pF)	TOL. (%)	D x s (mm)	F ± 1* (mm)	d ± 0.05* (mm)	V ± 0.5* (mm)	CERAMIC CODE	ORDERING CODE
<b>CLASS 1 N 750</b>							
22	± 10 %	7.0 x 4.8	12.5	0.6	2.2	U	HEU220□BE□□□KR
33		9.3 x 4.8					HEU330□BE□□□KR
47		9.3 x 4.8					HEU470□BE□□□KR
68		11.8 x 5.2					HEU680□BE□□□KR
82		11.8 x 5.2					HEU820□BE□□□KR
100		11.8 x 5.2		0.8	2.4		HEU101□BE□□□KR
150		14.4 x 5.2					HEU151□BE□□□KR
220		16.3 x 5.2					HEU221□BE□□□KR
330		19.5 x 5.2					HEU331□BE□□□KR

ORDERING INFORMATION, CERAMIC HIGH VOLTAGE DISC CAPACITORS, 6 KV (DC)							
C (pF)	TOL. (%)	D x s (mm)	F ± 1* (mm)	d ± 0.05* (mm)	V ± 0.5* (mm)	CERAMIC CODE	ORDERING CODE
<b>CLASS 1 N 750</b>							
10	± 10 %	7.0 x 4.8	12.5	0.6	2.2	U	HFU100□BF□□□KR
15		7.0 x 4.8					HFU150□BF□□□KR
22		7.0 x 4.8					HFU220□BF□□□KR
33		9.5 x 4.8					HFU330□BF□□□KR
47		9.5 x 4.8					HFU470□BF□□□KR
68		12.0 x 5.2					HFU680□BF□□□KR
82		12.0 x 5.2		0.8	2.4		HFU820□BF□□□KR
100		12.0 x 5.2					HFU101□BF□□□KR
150		15.0 x 5.2					HFU151□BF□□□KR
220		17.0 x 5.2					HFU221□BF□□□KR
330		20.0 x 5.2					HFU331□BF□□□KR

\* Standard lead configuration, other lead spacing and diameter available on request.

ORDERING CODE			
□	7th digit	Capacitance Tolerance	± 10 % = K
□□□	10th to 12th digit	Lead Configuration (See General Information)	
R	14th digit	RoHS Compliant Component	



## Disclaimer

All product specifications and data are subject to change without notice.

Vishay Intertechnology, Inc., its affiliates, agents, and employees, and all persons acting on its or their behalf (collectively, "Vishay"), disclaim any and all liability for any errors, inaccuracies or incompleteness contained herein or in any other disclosure relating to any product.

Vishay disclaims any and all liability arising out of the use or application of any product described herein or of any information provided herein to the maximum extent permitted by law. The product specifications do not expand or otherwise modify Vishay's terms and conditions of purchase, including but not limited to the warranty expressed therein, which apply to these products.

No license, express or implied, by estoppel or otherwise, to any intellectual property rights is granted by this document or by any conduct of Vishay.

The products shown herein are not designed for use in medical, life-saving, or life-sustaining applications unless otherwise expressly indicated. Customers using or selling Vishay products not expressly indicated for use in such applications do so entirely at their own risk and agree to fully indemnify Vishay for any damages arising or resulting from such use or sale. Please contact authorized Vishay personnel to obtain written terms and conditions regarding products designed for such applications.

Product names and markings noted herein may be trademarks of their respective owners.