

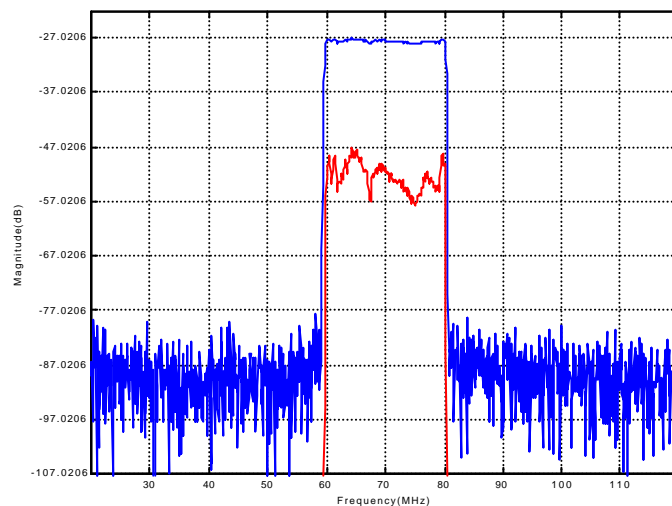


LBN07063 SAW Filter Electrical Characteristic

Specifications

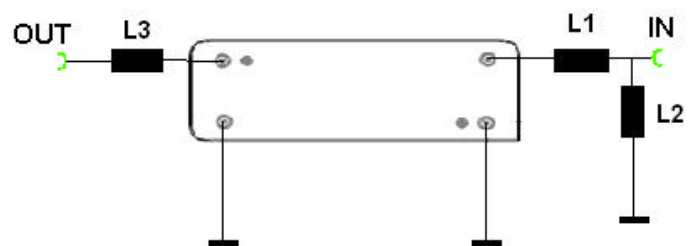
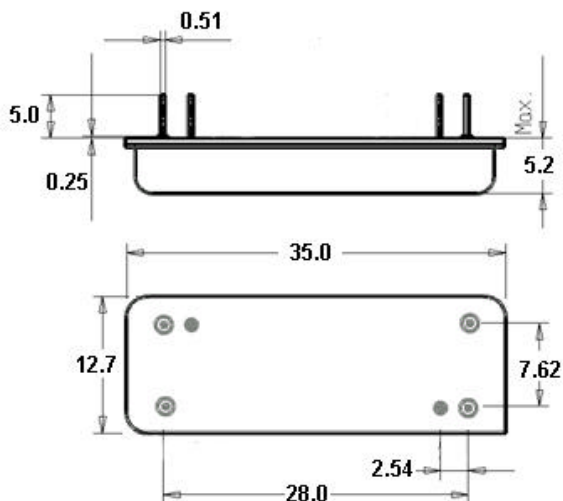
Parameter	Unit	Minimum	Typical	Maximum
Center Frequency	MHz	69.9	70	70.1
Insertion Loss	dB		27.02	29
3 dB Bandwidth	MHz	20.5	20.55	
40 dB Bandwidth	MHz		21.54	21.6
Passband variation	dB		1.0	1.5
Ultimate Rejection	dB	50	55	
Substrate Material		YZ LN		
Ambient Temperature	°C	25		
Package Size		DIP3512 (35x12.7x5.2mm ³)		

Typical Performance



Package Outline

Matching Configuration



L1=150nH L2=100nH
L3=82nH

Source/Load Impedance = 50 ohm