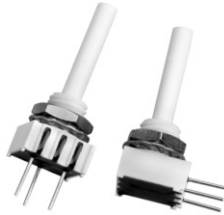


## Long Life Potentiometer - 500 000 Cycles Miniature - Cermet - Fully Sealed



### FEATURES

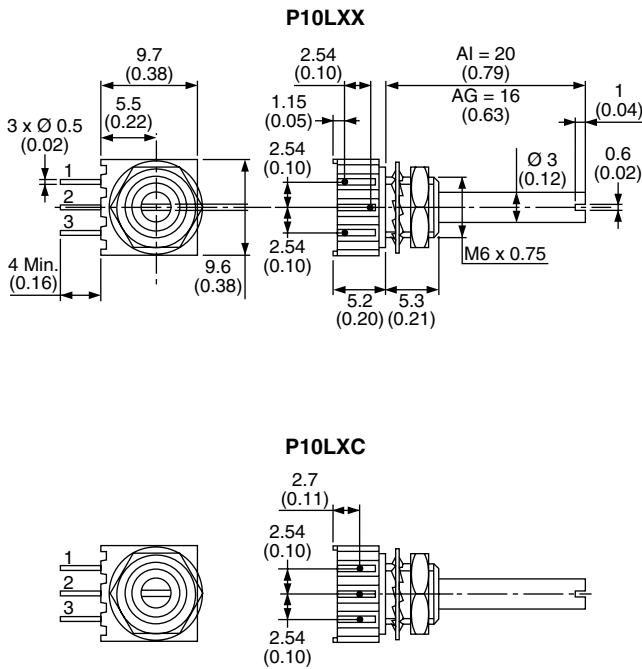
- 500 000 cycles
- Low temperature coefficient  
(± 150 ppm/°C typical)
- Plastic housing and shaft
- Compact (3/8" square)
- Fully sealed



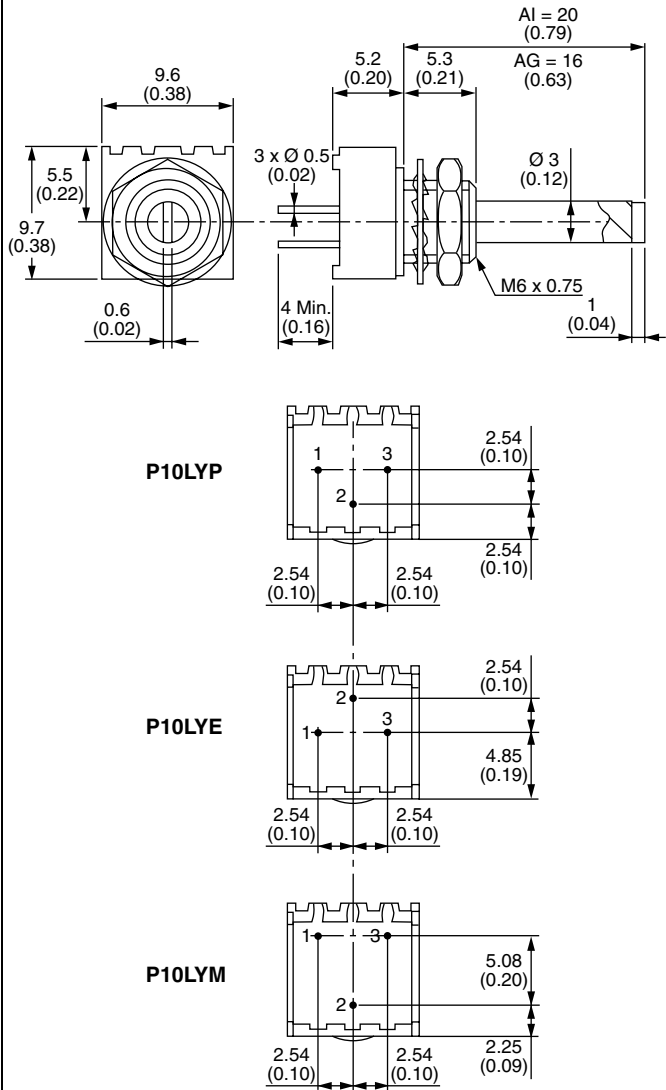
RoHS  
COMPLIANT

### DIMENSIONS in millimeters (inches) (± 0.5 mm)

#### P10L: Side Adjust



#### P10L: Top Adjust



<b>ELECTRICAL SPECIFICATIONS</b>																		
Resistive Element	CERMET																	
Electrical Travel	250° ± 15°																	
Standard Resistance Values	1 kΩ - 5 kΩ - 10 kΩ - 50 kΩ																	
Tolerance	20 % - 10 % on request																	
Variation Law	Linear A																	
	<p><b>CIRCUIT DIAGRAM</b></p>																	
Power Rating	0.1 W at 70 °C																	
Standard Resistance Element Data																		
	<table border="1"> <thead> <tr> <th>Resistance Value</th> <th>Max. Power at 70 °C</th> <th>Max. Working Voltage</th> </tr> </thead> <tbody> <tr> <td>(kΩ)</td> <td>(W)</td> <td>(V)</td> </tr> <tr> <td>1</td> <td>0.1</td> <td>10</td> </tr> <tr> <td>5</td> <td>0.1</td> <td>22.3</td> </tr> <tr> <td>10</td> <td>0.1</td> <td>31.6</td> </tr> <tr> <td>50</td> <td>0.1</td> <td>70.7</td> </tr> </tbody> </table>	Resistance Value	Max. Power at 70 °C	Max. Working Voltage	(kΩ)	(W)	(V)	1	0.1	10	5	0.1	22.3	10	0.1	31.6	50	0.1
Resistance Value	Max. Power at 70 °C	Max. Working Voltage																
(kΩ)	(W)	(V)																
1	0.1	10																
5	0.1	22.3																
10	0.1	31.6																
50	0.1	70.7																
Temperature Coefficient (Typical)	± 150 ppm/°C																	
Limiting Element Voltage	75 V																	
Contact Resistance Variation	1 % Rn or 2 Ω																	
End Resistance (Typical)	1 Ω																	
Dielectric Strength (RMS)	1000 V																	
Insulation Resistance (300 VDC)	10 <sup>6</sup> MΩ																	
Independent Linearity (Typical)	± 5 %																	



MECHANICAL SPECIFICATIONS		
Mechanical Travel	290° ± 5	
Operating Torque (Typical)	2 Ncm max.	2.83 oz.-inch max.
End Stop Torque	7 Ncm max.	9.9 oz.-inch max.
Tightening Torque of Mounting Nut	25 Ncm max.	2.2 lb-inch max.
Unit Weight	1 g	3.5 10 <sup>-2</sup> oz.
Terminals	e3: pure Sn	

ENVIRONMENTAL SPECIFICATIONS	
Temperature Range	- 40 °C to 100 °C
Climatic Category	40/100/56
Sealing	Fully sealed - Container IP67

MARKING
<ul style="list-style-type: none"><li>• VISHAY trademark</li><li>• Model</li><li>• Ohmic Value code</li><li>• Tolerance code</li><li>• Manufacturing date code</li><li>• Marking of terminals 3</li></ul>

APPLICATION NOTE	
<p>The potentiometer shall be used in voltage divider with an impedance load at least 100 times higher than the total potentiometer nominal resistance value.</p> <p>Advised load impedance: 1 MΩ min. for resistance range of 1kΩ to 50 kΩ</p>	



PERFORMANCES				
TESTS	CONDITIONS	TYPICAL VALUES AND DRIFTS		
		$\Delta R_T/R_T$ (%)	$\Delta R_{1-2}/R_{1-2}$ (%)	OTHER
Climatic Sequence	Phase A dry heat 100 °C Phase B damp heat Phase C cold - 40 °C Phase D damp heat 5 cycles	± 1 %	± 2 %	-
Long Term Damp Heat	56 days 40 °C 93 % HR	± 1 %	± 2 %	Insulation resistance > 10 <sup>4</sup> MΩ
Rotational Life	500 000 cycles at rated power Turn angle: ± 50° 33 cycles per min Temperature: 20 °C	± 20 %	-	Contact resistance variation max. 35 % Independent linearity ± 20 %
Load Life	1000 h at rated power 90/30' Ambient temperature 70 °C	± 20 %	± 20 %	Contact resistance variation max. 30 %
Rapid Temperature Change	5 cycles - 40 °C at 100 °C	± 1 %	< ± 2 %	-
Shock	50 g at 11 ms 3 successive shocks in 3 directions	± 0.5 %	± 1 %	-
Vibration	10 - 55 Hz 0.75 mm or 10 g in 3 directions	± 0.5 %	< ± 1 %	-

SAP ORDERING INFORMATION (Part Number 18 digits)																	
P	1	0	L	X	X	A	G	1	0	2	M	B	4				
MODEL	STYLE	SHAFT	RESISTANCE CODE	TOLERANCE CODE	PACKAGING CODE	SPECIAL NUMBER											
P10L	XC XX YE YM YP	AG = Ø 3 - 16 mm AI = Ø 3 - 20 mm	102 = 1 kΩ 502 = 5 kΩ 103 = 10 kΩ 503 = 50 kΩ	M = 20 %  On request K = 10 %	B4 = Box 100 pieces	(if applicable)  Given by VISHAY for custom design											

PART NUMBER DESCRIPTION (for information only)							
P10L	XX	AG	1K	20 %		BO100	e3
MODEL	STYLE	SHAFT	VALUE	TOLERANCE	SPECIAL	PACKAGING	LEAD (Pb)-FREE



## Disclaimer

All product specifications and data are subject to change without notice.

Vishay Intertechnology, Inc., its affiliates, agents, and employees, and all persons acting on its or their behalf (collectively, "Vishay"), disclaim any and all liability for any errors, inaccuracies or incompleteness contained herein or in any other disclosure relating to any product.

Vishay disclaims any and all liability arising out of the use or application of any product described herein or of any information provided herein to the maximum extent permitted by law. The product specifications do not expand or otherwise modify Vishay's terms and conditions of purchase, including but not limited to the warranty expressed therein, which apply to these products.

No license, express or implied, by estoppel or otherwise, to any intellectual property rights is granted by this document or by any conduct of Vishay.

The products shown herein are not designed for use in medical, life-saving, or life-sustaining applications unless otherwise expressly indicated. Customers using or selling Vishay products not expressly indicated for use in such applications do so entirely at their own risk and agree to fully indemnify Vishay for any damages arising or resulting from such use or sale. Please contact authorized Vishay personnel to obtain written terms and conditions regarding products designed for such applications.

Product names and markings noted herein may be trademarks of their respective owners.