

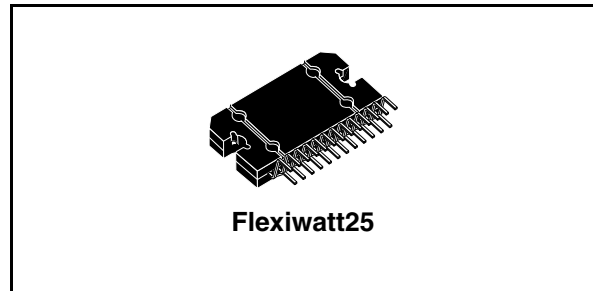
## 4 x 45W quad bridge car radio amplifier

### Features

- High output power capability:
  - 4 x 45W/4Ω max.
  - 4 x 28W/4Ω @ 14.4V, 1KHz, 10%
  - 4 x 24W/4Ω @ 13.2V, 1KHz, 10%
- Low distortion
- Low output noise
- St-by function
- Mute function
- Automute at min. supply voltage detection
- Low external component count:
  - Internally fixed gain (26dB)
  - No external compensation
  - No bootstrap capacitors

### Protections

- Output short circuit to GND, to  $V_S$ , across the load
- Very inductive loads
- Overrating chip temperature with soft thermal limiter



- Load dump voltage
- Fortuitous open GND
- Reversed battery
- ESD

### Description

The TDA7386 is a new technology class AB audio power amplifier in Flexiwatt 25 package designed for high end car radio applications.

Thanks to the fully complementary PNP/NPN output configuration the TDA7386 allows a rail to rail output voltage swing with no need of bootstrap capacitors. The extremely reduced components count allows very compact sets.

**Table 1. Device summary**

Order code	Package	Packing
TDA7386	Flexiwatt25	Tube

# Contents

- 1        Block and pins connection diagram ..... 5**
  
- 2        Electrical specifications ..... 6**
  - 2.1    Absolute maximum ratings ..... 6
  - 2.2    Thermal data ..... 6
  - 2.3    Electrical characteristics ..... 6
  - 2.4    Printed circuit board and component layout ..... 8
  - 2.5    Electrical characteristics curves ..... 9
  
- 3        Application hints ..... 11**
  - 3.1    SVR ..... 11
  - 3.2    Input stage ..... 11
  - 3.3    Stand-by and muting ..... 11
  
- 4        Package information ..... 12**
  
- 5        Revision history ..... 13**

## List of tables

Table 1.	Device summary . . . . .	1
Table 2.	Absolute maximum ratings . . . . .	6
Table 3.	Thermal data . . . . .	6
Table 4.	Electrical characteristics . . . . .	6
Table 5.	Document revision history . . . . .	13

# List of figures

Figure 1.	Block diagram . . . . .	5
Figure 2.	Pins connection (top view) . . . . .	5
Figure 3.	Standard test and application circuit. . . . .	7
Figure 4.	Components and top copper layer . . . . .	8
Figure 5.	Bottom copper layer . . . . .	8
Figure 6.	Quiescent current vs. supply voltage . . . . .	9
Figure 7.	Quiescent output voltage vs. supply voltage . . . . .	9
Figure 8.	Output power vs. supply voltage. . . . .	9
Figure 9.	Max. output power vs. supply voltage. . . . .	9
Figure 10.	Distortion vs. output power . . . . .	9
Figure 11.	Distortion vs. frequency . . . . .	9
Figure 12.	Supply voltage rejection vs. freq. . . . .	10
Figure 13.	Crosstalk vs. frequency . . . . .	10
Figure 14.	Output noise vs. source resistance. . . . .	10
Figure 15.	Power dissipation and efficiency vs. output power . . . . .	10
Figure 16.	Flexiwatt25 mechanical data and package dimensions . . . . .	12

# 1 Block and pins connection diagram

Figure 1. Block diagram

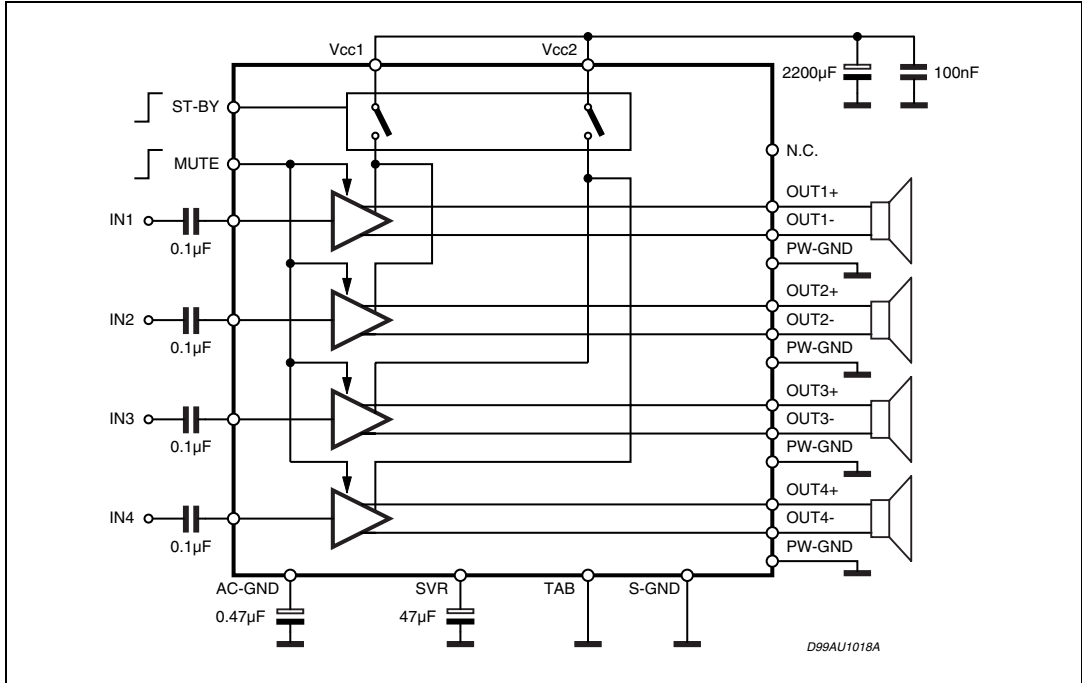
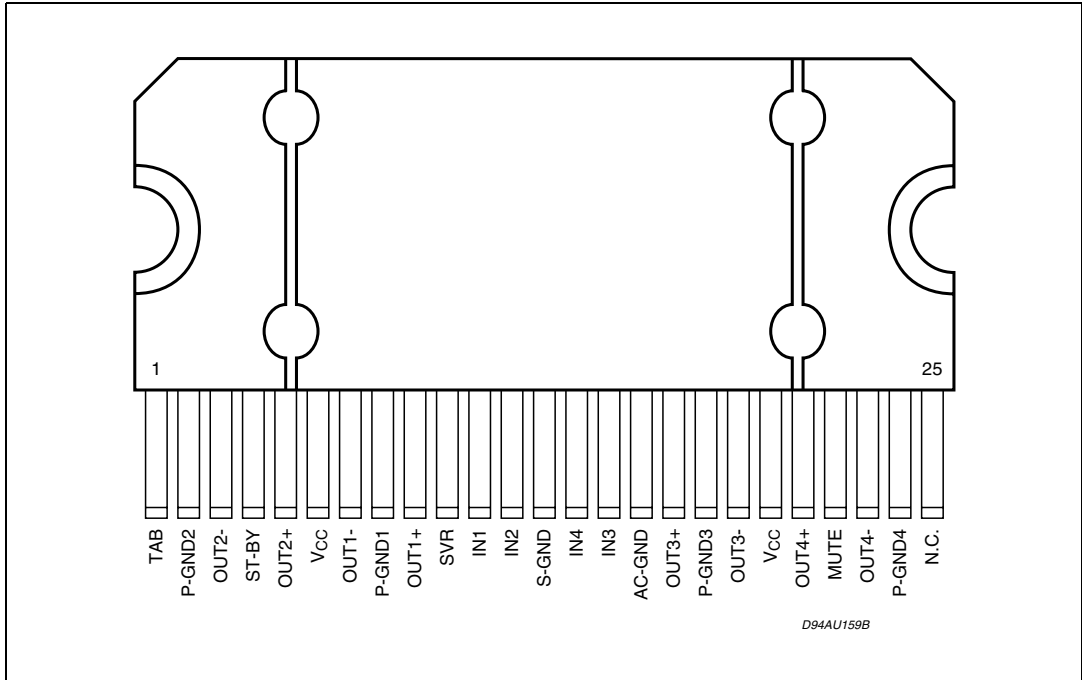


Figure 2. Pins connection (top view)



## 2 Electrical specifications

### 2.1 Absolute maximum ratings

Table 2. Absolute maximum ratings

Symbol	Parameter	Value	Unit
$V_{CC}$	Operating supply voltage	18	V
$V_{CC(DC)}$	DC supply voltage	28	V
$V_{CC(pk)}$	Peak supply voltage (t = 50ms)	50	V
$I_O$	Output peak current: Repetitive (Duty Cycle 10% at f = 10Hz)	4.5	A
	Non Repetitive (t = 100 $\mu$ s)	5.5	A
$P_{tot}$	Power dissipation, ( $T_{case} = 70^{\circ}C$ )	80	W
$T_j$	Junction temperature	150	$^{\circ}C$
$T_{stg}$	Storage temperature	- 55 to 150	$^{\circ}C$

### 2.2 Thermal data

Table 3. Thermal data

Symbol	Parameter	Value	Unit
$R_{th j-amb}$	Thermal resistance junction to case max.	1	$^{\circ}C/W$

### 2.3 Electrical characteristics

Table 4. Electrical characteristics

$V_S = 14.4V$ ; f = 1KHz;  $R_g = 600\Omega$ ;  $R_L = 4\Omega$ ;  $T_{amb} = 25^{\circ}C$ ; Refer to the Test and application diagram, unless otherwise specified.

Symbol	Parameter	Test condition	Min.	Typ.	Max.	Unit
$I_{q1}$	Quiescent current	$R_L = \infty$		190	350	mA
$V_{OS}$	Output offset voltage	Play Mode			$\pm 80$	mV
$\Delta V_{OS}$	During mute on/off output offset voltage				$\pm 80$	mV
$G_v$	Voltage gain		25	26	27	dB
$\Delta G_v$	Channel gain unbalance				$\pm 1$	dB
$P_o$	Output power	THD = 10%; $V_S = 13.2V$	22	24		W
		THD = 0.8%; $V_S = 13.2V$	16.5	18		W
		THD = 10%; $V_S = 14.4V$	26	28		W
$P_{o max}$	Max.output power <sup>(1)</sup>	$V_S = 14.4V$	43	45		W
THD	Distortion	$P_o = 4W$		0.04	0.15	%

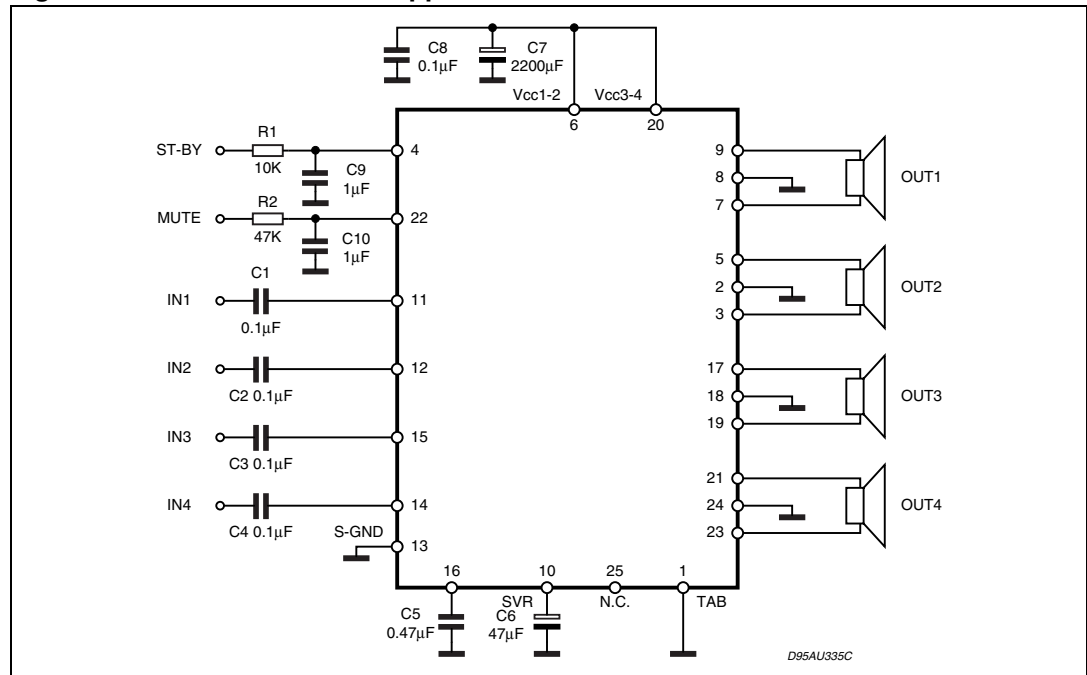
**Table 4. Electrical characteristics (continued)**

$V_S = 14.4V$ ;  $f = 1KHz$ ;  $R_g = 600\Omega$ ;  $R_L = 4\Omega$ ;  $T_{amb} = 25^\circ C$ ; Refer to the Test and application diagram, unless otherwise specified.

Symbol	Parameter	Test condition	Min.	Typ.	Max.	Unit
$e_{No}$	Output noise	"A" Weighted		50	70	$\mu V$
		Bw = 20Hz to 20KHz		70	100	$\mu V$
SVR	Supply voltage rejection	$f = 100Hz$ ; $V_r = 1V_{rms}$	50	75		dB
$f_{ch}$	High cut-off frequency	$P_o = 0.5W$	80	200		KHz
$R_i$	Input impedance		70	100		$K\Omega$
$C_T$	Cross talk	$f = 1KHz$ ; $P_o = 4W$	60	70		dB
		$f = 10KHz$ ; $P_o = 4W$		60		dB
$I_{SB}$	St-by current consumption	$V_{St-By} = 1.5V$			50	$\mu A$
		$V_{St-By} = 0V$			20	$\mu A$
$I_{pin4}$	St-by pin current	$V_{St-By} = 1.5$ to $3.5V$			$\pm 1$	$\mu A$
$V_{SB out}$	St-by out threshold voltage	(Amp: ON)	3.5			V
$V_{SB IN}$	St-by in threshold voltage	(Amp: OFF)			1.5	V
$A_M$	Mute attenuation	$P_{Oref} = 4W$	80	90		dB
$V_{M out}$	Mute out threshold voltage	(Amp: Play)	3.5			V
$V_{M in}$	Mute in threshold voltage	(Amp: Mute)			1.5	V
$V_{AM in}$	$V_S$ automute threshold	(Amp: Mute); Att $\geq 80dB$ ; $P_{Oref} = 4\Omega$		7.6	6.5	V
		(Amp: Play); Att $< 0.1dB$ ; $P_O = 0.5\Omega$			8.5	V
$I_{pin22}$	Muting pin current	$V_{MUTE} = 1.5V$ (Source Current)	5	11	20	$\mu A$
		$V_{MUTE} = 3.5V$	-5	-	20	$\mu A$

1. Saturated square wave output.

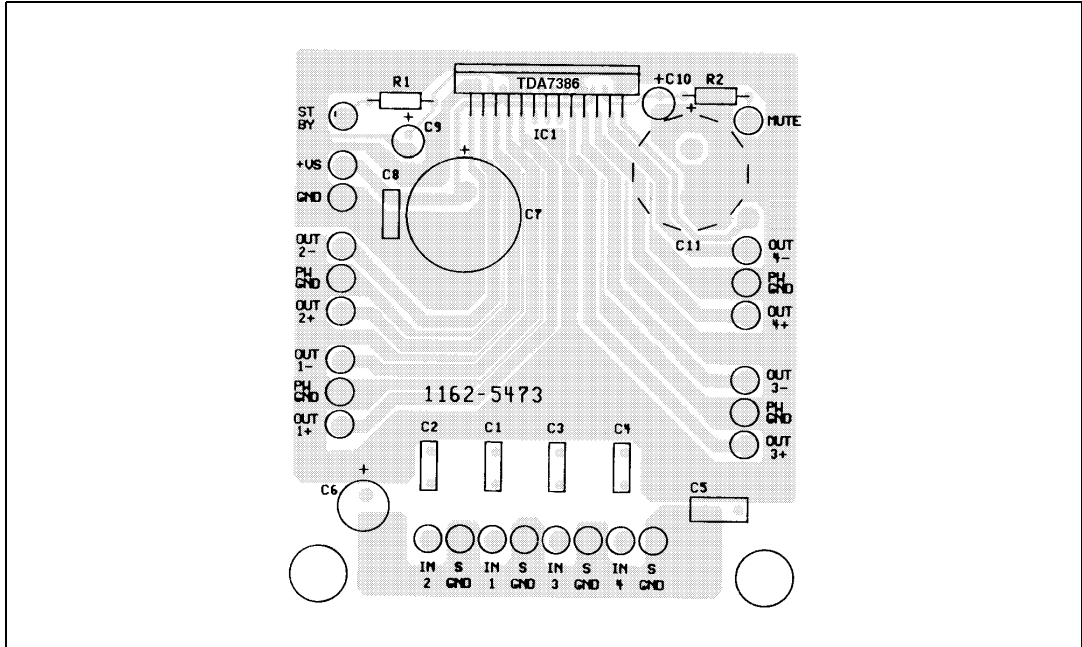
**Figure 3. Standard test and application circuit**



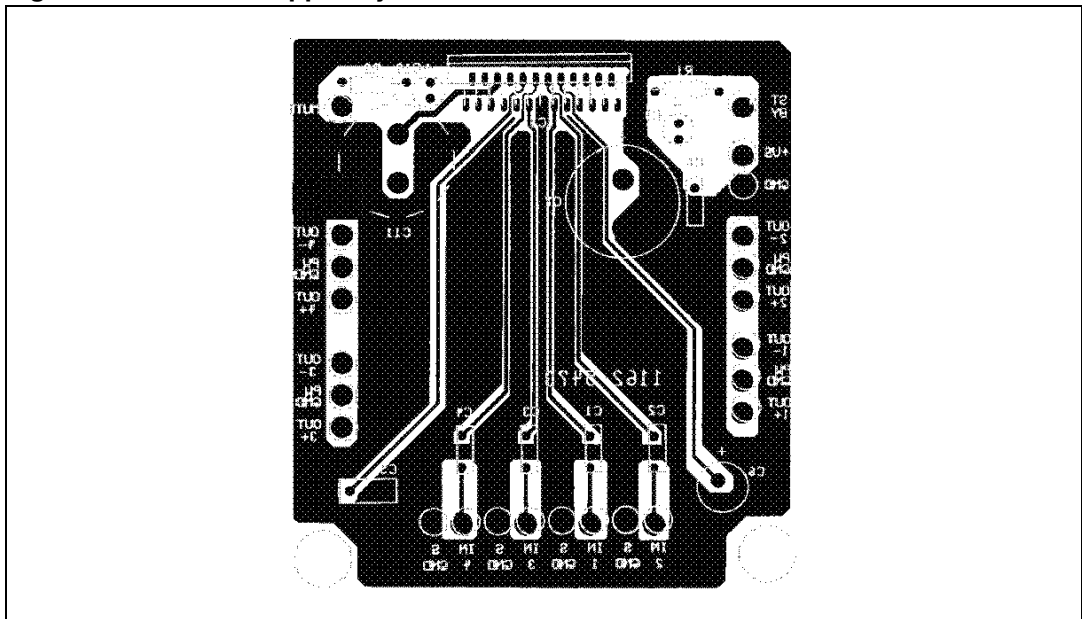
## 2.4 Printed circuit board and component layout

Referred to the circuit of [Figure 3](#).

**Figure 4. Components and top copper layer**



**Figure 5. Bottom copper layer**





## 2.5 Electrical characteristics curves

Figure 6. Quiescent current vs. supply voltage      Figure 7. Quiescent output voltage vs. supply voltage

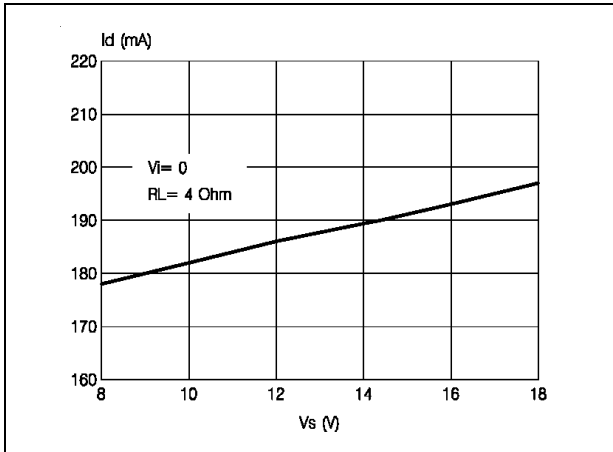


Figure 8. Output power vs. supply voltage

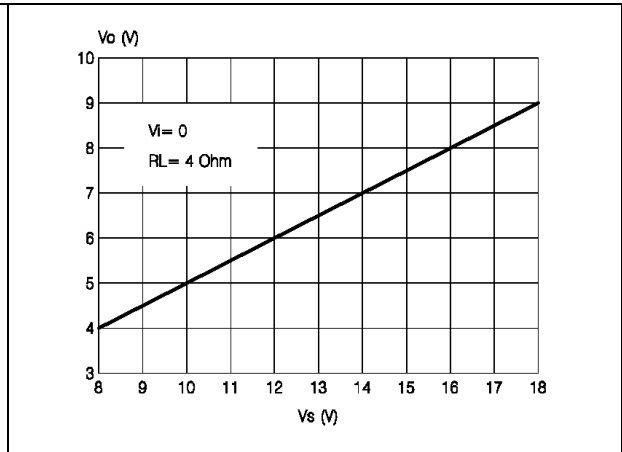


Figure 9. Max. output power vs. supply voltage

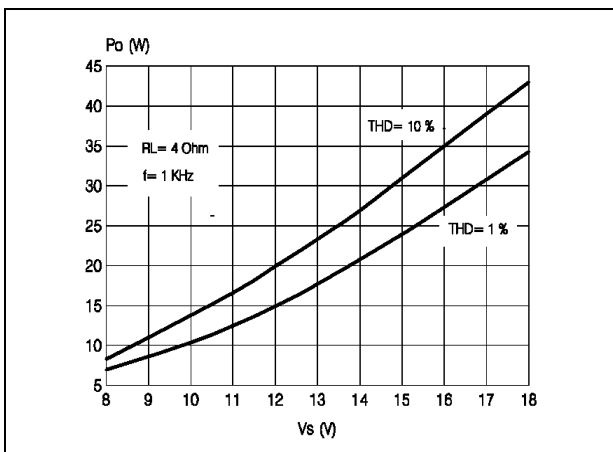


Figure 10. Distortion vs. output power

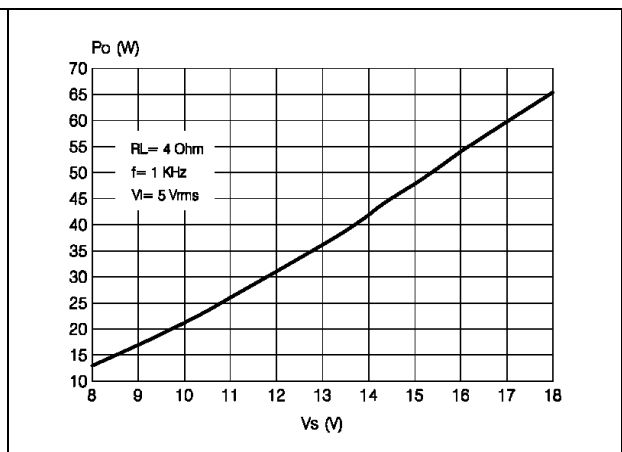


Figure 11. Distortion vs. frequency

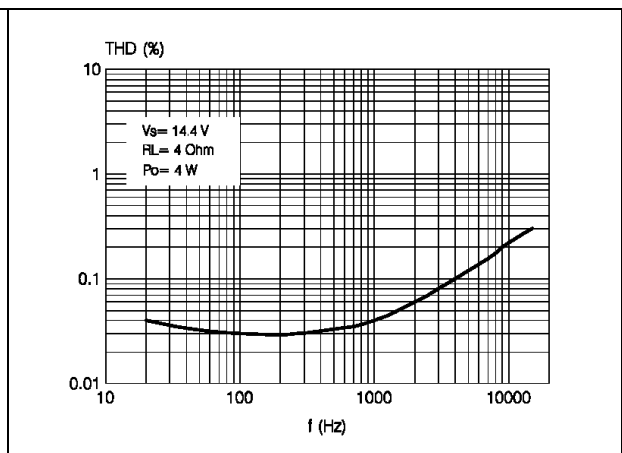
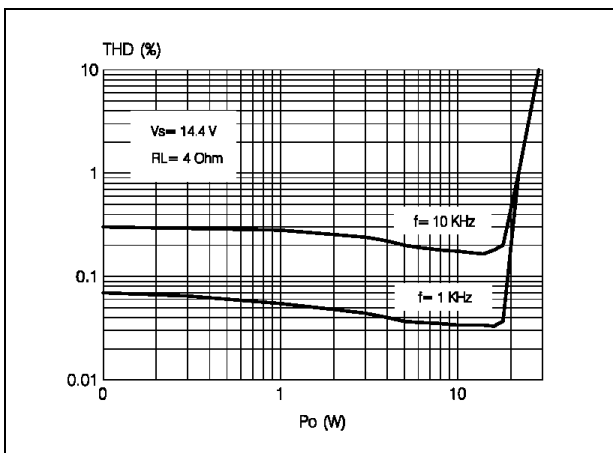


Figure 12. Supply voltage rejection vs. freq.

Figure 13. Crosstalk vs. frequency

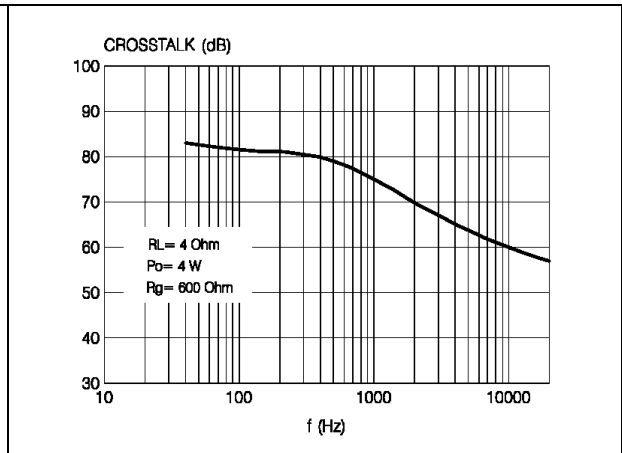
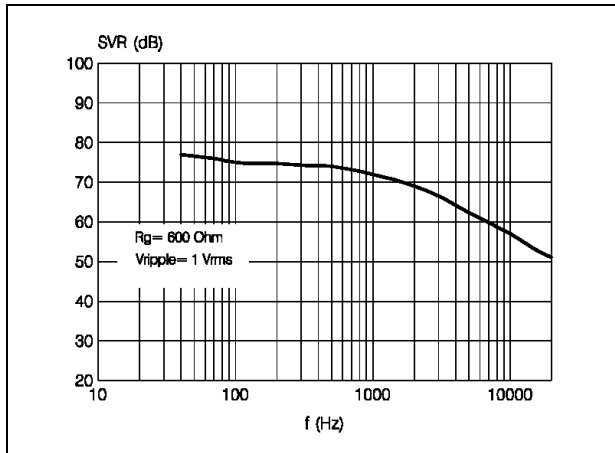
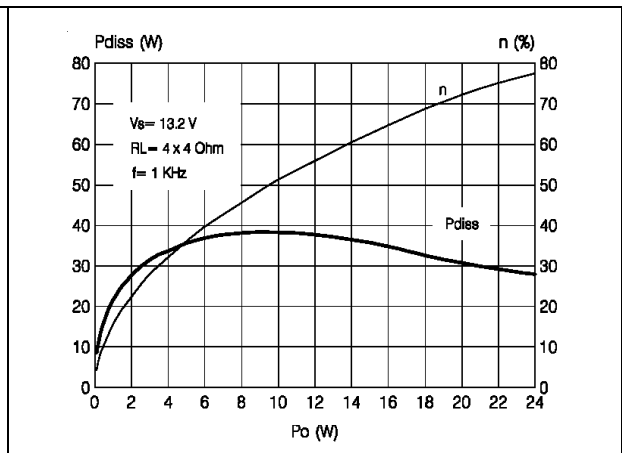
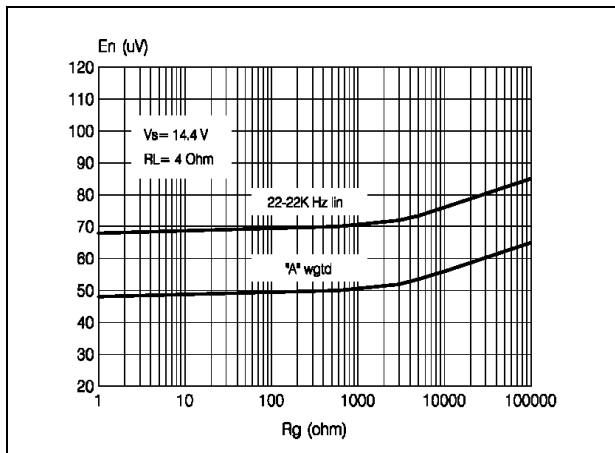


Figure 14. Output noise vs. source resistance

Figure 15. Power dissipation and efficiency vs. output power



## 3 Application hints

Referred to the circuit of [Figure 3](#).

### 3.1 SVR

Besides its contribution to the ripple rejection, the SVR capacitor governs the turn ON/OFF time sequence and, consequently, plays an essential role in the pop optimization during ON/OFF transients.

To conveniently serve both needs, **ITS MINIMUM RECOMMENDED VALUE IS 10 $\mu$ F**.

### 3.2 Input stage

The TDA7386's inputs are ground-compatible and can stand very high input signals ( $\pm 8V_{pk}$ ) without any performances degradation.

If the standard value for the input capacitors (0.1 $\mu$ F) is adopted, the low frequency cut-off will amount to 16 Hz.

### 3.3 Stand-by and muting

Stand-by and muting facilities are both CMOS-compatible. If unused, a straight connection to  $V_s$  of their respective pins would be admissible.

Conventional/low-power transistors can be employed to drive muting and stand-by pins in absence of true CMOS ports or microprocessors. R-C cells have always to be used in order to smooth down the transitions for preventing any audible transient noises.

Since a DC current of about 10  $\mu$ A normally flows out of pin 22, the maximum allowable muting-series resistance ( $R_2$ ) is 70K $\Omega$ , which is sufficiently high to permit a muting capacitor reasonably small (about 1 $\mu$ F).

If  $R_2$  is higher than recommended, the involved risk will be that the voltage at pin 22 may rise to above the 1.5 V threshold voltage and the device will consequently fail to turn OFF when the mute line is brought down.

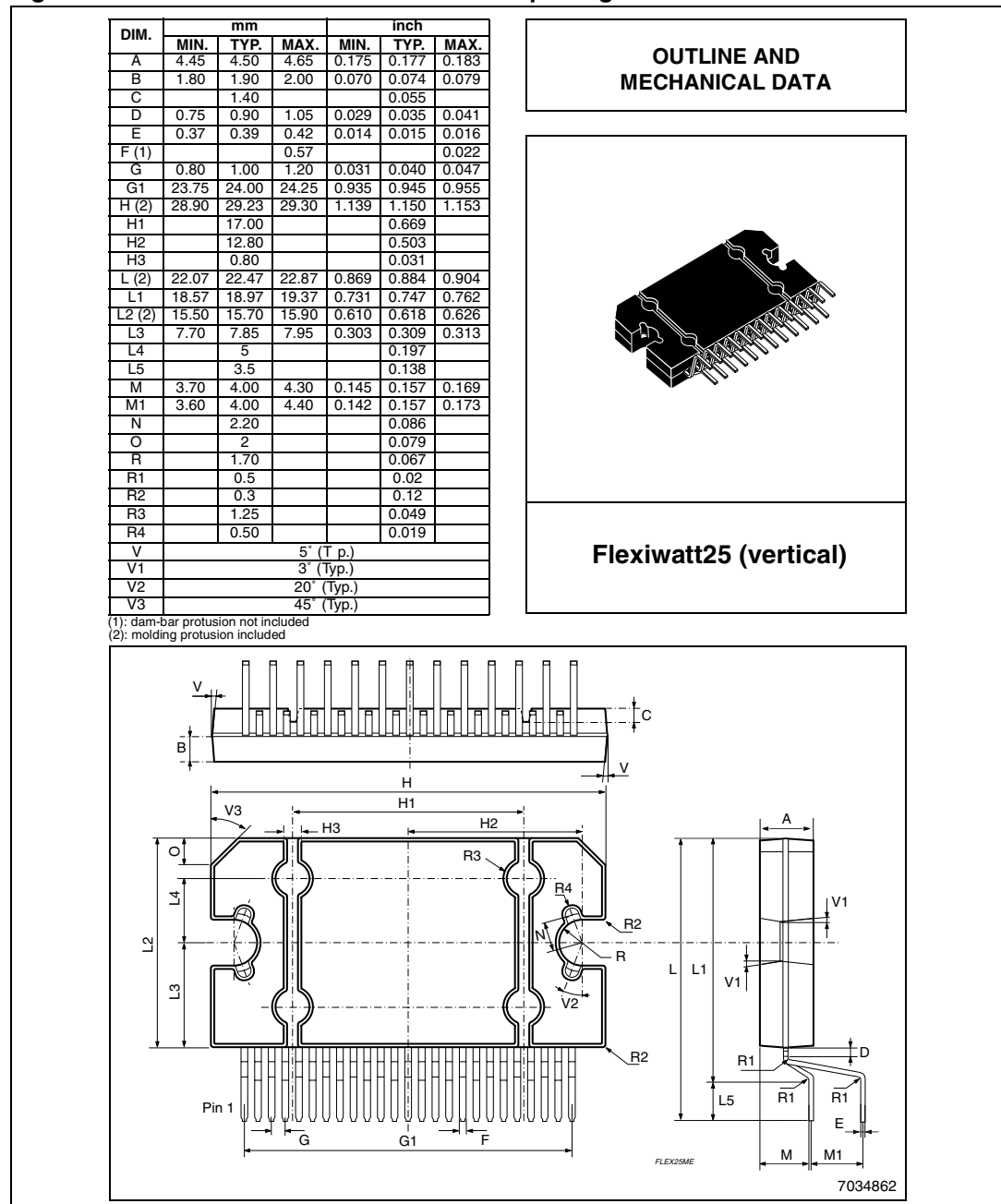
About the stand-by, the time constant to be assigned in order to obtain a virtually pop-free transition has to be slower than 2.5V/ms.

# 4 Package information

In order to meet environmental requirements, ST (also) offers these devices in ECOPACK<sup>®</sup> packages. ECOPACK<sup>®</sup> packages are lead-free. The category of second Level Interconnect is marked on the package and on the inner box label, in compliance with JEDEC Standard JESD97. The maximum ratings related to soldering conditions are also marked on the inner box label.

ECOPACK is an ST trademark. ECOPACK specifications are available at: [www.st.com](http://www.st.com).

**Figure 16. Flexiwatt25 mechanical data and package dimensions**



## 5 Revision history

**Table 5. Document revision history**

Date	Revision	Changes
24-Nov-2001	1	Initial release.
20-Dec-2007	2	Document reformatted. Modified the <i>Features on page 1</i> . Modified the <i>Figure 1</i> and <i>2</i> . Updated the <i>Table 4: Electrical characteristics</i> .

**Please Read Carefully:**

Information in this document is provided solely in connection with ST products. STMicroelectronics NV and its subsidiaries ("ST") reserve the right to make changes, corrections, modifications or improvements, to this document, and the products and services described herein at any time, without notice.

All ST products are sold pursuant to ST's terms and conditions of sale.

Purchasers are solely responsible for the choice, selection and use of the ST products and services described herein, and ST assumes no liability whatsoever relating to the choice, selection or use of the ST products and services described herein.

No license, express or implied, by estoppel or otherwise, to any intellectual property rights is granted under this document. If any part of this document refers to any third party products or services it shall not be deemed a license grant by ST for the use of such third party products or services, or any intellectual property contained therein or considered as a warranty covering the use in any manner whatsoever of such third party products or services or any intellectual property contained therein.

**UNLESS OTHERWISE SET FORTH IN ST'S TERMS AND CONDITIONS OF SALE ST DISCLAIMS ANY EXPRESS OR IMPLIED WARRANTY WITH RESPECT TO THE USE AND/OR SALE OF ST PRODUCTS INCLUDING WITHOUT LIMITATION IMPLIED WARRANTIES OF MERCHANTABILITY, FITNESS FOR A PARTICULAR PURPOSE (AND THEIR EQUIVALENTS UNDER THE LAWS OF ANY JURISDICTION), OR INFRINGEMENT OF ANY PATENT, COPYRIGHT OR OTHER INTELLECTUAL PROPERTY RIGHT.**

**UNLESS EXPRESSLY APPROVED IN WRITING BY AN AUTHORIZED ST REPRESENTATIVE, ST PRODUCTS ARE NOT RECOMMENDED, AUTHORIZED OR WARRANTED FOR USE IN MILITARY, AIR CRAFT, SPACE, LIFE SAVING, OR LIFE SUSTAINING APPLICATIONS, NOR IN PRODUCTS OR SYSTEMS WHERE FAILURE OR MALFUNCTION MAY RESULT IN PERSONAL INJURY, DEATH, OR SEVERE PROPERTY OR ENVIRONMENTAL DAMAGE. ST PRODUCTS WHICH ARE NOT SPECIFIED AS "AUTOMOTIVE GRADE" MAY ONLY BE USED IN AUTOMOTIVE APPLICATIONS AT USER'S OWN RISK.**

Resale of ST products with provisions different from the statements and/or technical features set forth in this document shall immediately void any warranty granted by ST for the ST product or service described herein and shall not create or extend in any manner whatsoever, any liability of ST.

ST and the ST logo are trademarks or registered trademarks of ST in various countries.

Information in this document supersedes and replaces all information previously supplied.

The ST logo is a registered trademark of STMicroelectronics. All other names are the property of their respective owners.

© 2007 STMicroelectronics - All rights reserved

STMicroelectronics group of companies

Australia - Belgium - Brazil - Canada - China - Czech Republic - Finland - France - Germany - Hong Kong - India - Israel - Italy - Japan - Malaysia - Malta - Morocco - Singapore - Spain - Sweden - Switzerland - United Kingdom - United States of America

[www.st.com](http://www.st.com)