



TSH345

Triple video buffer with selectable filter for HD and SD video applications

Preliminary Data

Features

- Selectable 6th order filtering of 36 MHz, 18 MHz and 9 MHz
- 5 V single-supply operation
- Internal input DC level shifter
- No input capacitor required
- 3 matched 6 dB amplifiers
- AC or DC output-coupled
- Very low harmonic distortion
- Specified for 150 Ω loads
- Data min. and max. are tested during production

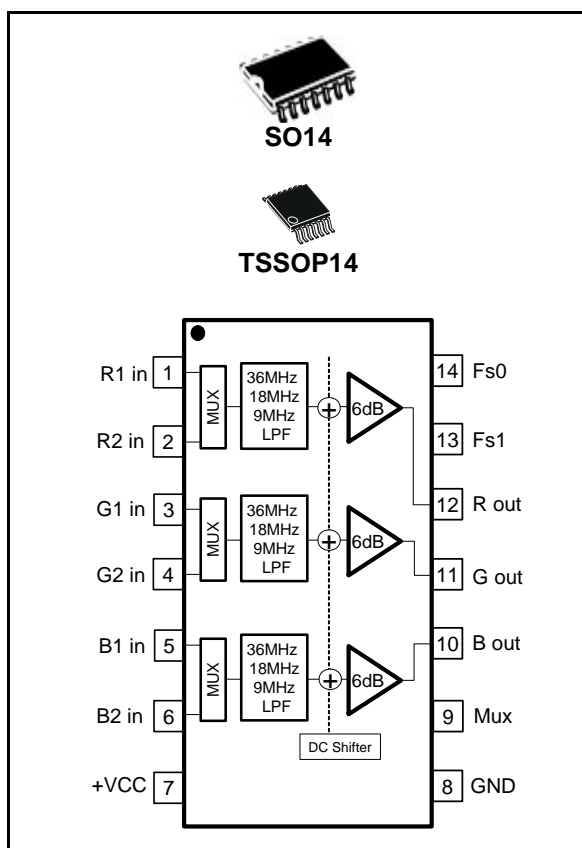
Applications

- High-end video systems
- High definition TV (HDTV)
- Broadcast and graphic video
- Multimedia products

Description

The TSH345 is a triple single-supply video buffer featuring an internal gain of 6 dB and selectable filtering for HD and SD video outputs on 75 Ω video lines. The TSH345 is ideal to drive either Y-C, CVBS, Y-U-V, Y-Pb-Pr or R-G-B signals from video DAC outputs.

The main advantage of this circuit is its input DC level shifter. It allows you to drive video signals on 75 Ω video lines without damage to the synchronization tip, and without either input or output capacitor while using a single 5 V power supply. The DC level shifter is internally fixed and optimized to keep the output video signals between low and high output rails in the best position for the greatest linearity.



The TSH345 is available in the SO14 plastic package for optimum space-saving.

1 Absolute maximum ratings and operating conditions

Table 1. Absolute maximum ratings (AMR)

Symbol	Parameter	Value	Unit
V_{CC}	Supply voltage ⁽¹⁾	6	V
V_{in}	Input voltage range ⁽²⁾	TBD	V
T_{oper}	Operating free air temperature range	-40 to +85	°C
T_{stg}	Storage temperature	-65 to +150	°C
T_j	Maximum junction temperature	150	°C
R_{thjc}	Thermal resistance junction to case		
	SO14 TSSOP14	22 32	°C/W
R_{thja}	Thermal resistance junction to ambient area		
	SO14 TSSOP14	125 110	°C/W
P_{max}	Maximum power dissipation (@ $T_{amb} = 25^{\circ}C$) for $T_j = 150^{\circ}C$		
	SO14 TSSOP14	1 1.1	W
ESD	CDM: charged device model	200	V
	HBM: human body model	2	kV
	MM: machine model	200	V

1. All voltage values, except differential voltage, are with respect to network terminal.
2. The magnitude of input and output voltage must never exceed $V_{CC} + 0.3 V$.

Table 2. Operating conditions

Symbol	Parameter	Value	Unit
V_{CC}	Power supply voltage	4.5 to 5.5 ⁽¹⁾	V

1. Tested in full production with +5 V single power supply.

2 Electrical characteristics

Table 3. Electrical characteristics at $V_{CC} = +5\text{ V}$ single supply, $T_{amb} = 25^\circ\text{C}$ (unless otherwise specified)

Symbol	Test conditions	Min.	Typ.	Max.	Unit
DC performance					
V_{DC}	Output DC shift $R_L = 150\ \Omega$, T_{amb} $-40^\circ\text{C} < T_{amb} < +85^\circ\text{C}$	197	329 405	389	mV
I_{ib}	Input bias current T_{amb} , input to GND $-40^\circ\text{C} < T_{amb} < +85^\circ\text{C}$	0.85	1.5 2.38	2.9	μA
R_{in}	Input resistance, T_{amb}		12.6		$\text{G}\Omega$
C_{in}	Input capacitance, T_{amb}		0.1		pF
I_{CC}	Total supply current No load, input to GND $-40^\circ\text{C} < T_{amb} < +85^\circ\text{C}$		50.7 TBD	65	mA
PSRR	Power supply rejection ratio $20\ \log(\Delta V_{out}/\Delta V_{CC})$ Input to GND, $R_L = 150\ \Omega$, ΔV_{CC} : 100 mVp/F = 1 MHz, $C_{LF} = 470\ \text{nF}$, $C_{HF} = 100\ \mu\text{F}$		-70		dB
G	DC voltage gain $R_L = 150\ \Omega$, $V_{in} = 0.5\text{V}$ $-40^\circ\text{C} < T_{amb} < +85^\circ\text{C}$	1.94	1.99 2	2.02	V/V
DG	Variation of the DC voltage gain between inputs of 0.3 V and 1 V Input step from 0.3 V to 1 V		0.2	0.5	%
MG_1	Gain matching between 3 channels, input = 1 V		0.5	1	%
$MG_{0.3}$	Gain matching between 3 channels, input = 0.3 V		0.5	1	%
Output characteristics					
V_{OH}	High level output voltage $R_L = 150\ \Omega$ $-40^\circ\text{C} < T_{amb} < +85^\circ\text{C}$	3.84	3.87 TBD		V
V_{OL}	Low level output voltage ⁽¹⁾ $R_L = 150\ \Omega$ $-40^\circ\text{C} < T_{amb} < +85^\circ\text{C}$		33 TBD	40	mV
I_{out}	I_{source} T_{amb} $-40^\circ\text{C} < T_{amb} < +85^\circ\text{C}$	46	91 79		mA
	I_{sink} $-40^\circ\text{C} < T_{amb} < +85^\circ\text{C}$	TBD	145 102		mA

Table 3. Electrical characteristics at $V_{CC} = +5\text{ V}$ single supply, $T_{amb} = 25^\circ\text{C}$ (unless otherwise specified) (continued)

Symbol	Test conditions	Min.	Typ.	Max.	Unit
Filtering					
Standard definition	Bandwidth F1 selected, small signal, $V_{ICM} = 0.5\text{ V}$, $R_L = 150\ \Omega$ 3 dB bandwidth 1 dB bandwidth	5.12	9.3 7.3		MHz
	Flatness F1 selected/F=6 MHz, small signal, $V_{ICM} = 0.5\text{ V}$, $R_L = 150\ \Omega$		0.5		dB
	Attenuation F1 selected/F=27 MHz, small signal, $V_{ICM} = 0.5\text{ V}$, $R_L = 150\ \Omega$	30	47		dB
Standard definition with progressive scanning	Bandwidth F2 selected, small signal, $V_{ICM} = 0.5\text{ V}$, $R_L = 150\ \Omega$ 3 dB bandwidth 1 dB bandwidth	10.4	21.5 18.2		MHz
	Flatness F2 selected/F=12 MHz small signal, $V_{ICM} = 0.5\text{ V}$, $R_L = 150\ \Omega$		0.36		dB
	Attenuation F2 selected/F=54 MHz, small signal, $V_{ICM} = 0.5\text{ V}$, $R_L = 150\ \Omega$	34	42.7		dB
High definition	Bandwidth F3 selected, small signal, $V_{ICM} = 0.5\text{ V}$, $R_L = 150\ \Omega$ 3 dB bandwidth 1 dB bandwidth	22	35.6 30.8		MHz
	Flatness F3 selected/F=30 MHz, small signal, $V_{ICM} = 0.5\text{ V}$, $R_L = 150\ \Omega$		0.46		dB
	Attenuation F3 selected/F=74.25 MHz, small signal, $V_{ICM} = 0.5\text{ V}$, $R_L = 150\ \Omega$	TBD	36		dB
D	Delay between each channel		0.5		ns
gd	Group delay variation F1 selected/F=0 to 6 MHz		10.3		ns
Δg	Differential gain F1 selected/F=6 MHz, $R_L = 150\ \Omega$		0.5		%
$\Delta\Phi$	Differential phase F1 selected/F=6 MHz, $R_L = 150\ \Omega$		0.5		°

Table 3. Electrical characteristics at $V_{CC} = +5\text{ V}$ single supply, $T_{amb} = 25^\circ\text{C}$ (unless otherwise specified) (continued)

Symbol	Test conditions	Min.	Typ.	Max.	Unit
Noise and distortion					
eN	Total input voltage noise in Standard Definition $F = 100\text{ kHz}$, $R_{IN} = 50\ \Omega$		70		nV/ $\sqrt{\text{Hz}}$
	Total input voltage noise in High Definition $F = 100\text{ kHz}$, $R_{IN} = 50\ \Omega$		93		
HD2	2nd harmonic distortion $F1\text{ selected}/F=1\text{ MHz}$, $V_{out} = 2\text{ Vp-p}$, $R_L = 150\ \Omega$		-44		dBc
HD3	3rd harmonic distortion $F1\text{ selected}/F=1\text{ MHz}$, $V_{out} = 2\text{ Vp-p}$, $R_L = 150\ \Omega$		-63		dBc
Standby mode					
I_{STBY}	Total current consumption in standby mode $Fs1=1$, $Fs0=1$		TBD	570	μA
T_{on}	Time from standby to active mode		5		μs
T_{off}	Time from active to standby mode		5		μs
Fs1, Fs0 and Mux features					
V_{high}	High level	0.9			V
V_{low}	Low level			0.3	V

1. Simulated data.

Table 4. Filter and standby settings, $V_{CC} = +5\text{ V}$ single supply, $T_{amb} = 25^\circ\text{C}$

Fs1	Fs0	Settings	
0	0	F3	Filtering for high definition (HD), 36 MHz
0	1	F2	Filtering for progressive video (PV), 18 MHz
1	0	F1	Filtering for standard definition (SD), 9 MHz
1	1	Standby	TSH345 in standby mode

Fs1 and Fs0 floating: forbidden
(for proper behavior of the TSH345, the Fs1 and Fs0 pins must never be left floating)

Table 5. Mux settings, $V_{CC} = +5\text{ V}$ single supply, $T_{amb} = 25^\circ\text{C}$

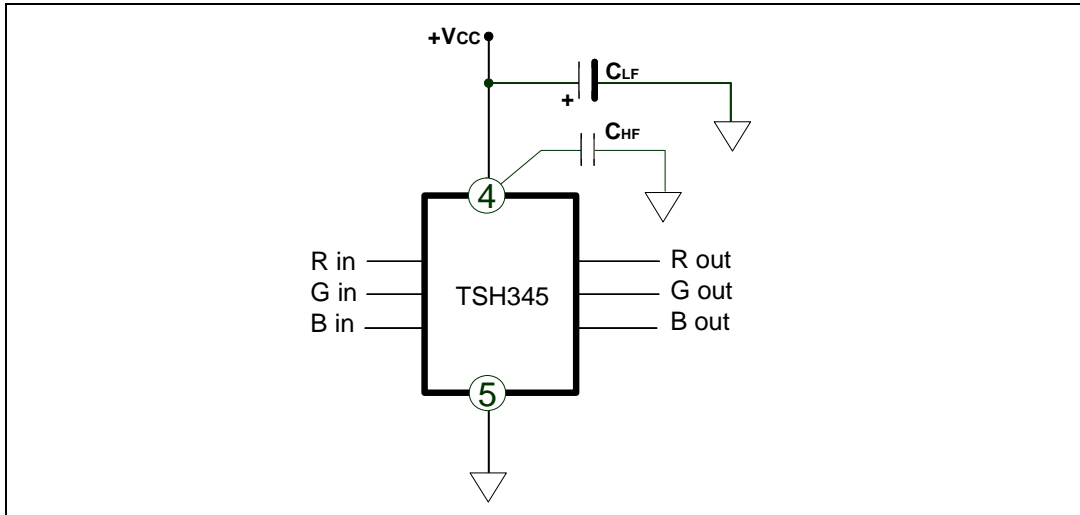
Mux	Settings	
0	R1 G1 B1	Video1 selected
1	R2 G2 B2	Video2 selected
Floating	R1 G1 B1	Video1 selected

MUX floating: forbidden
(for proper behavior of the TSH345, the MUX pin must never be left floating)

3 Power supply considerations

Correct power supply bypassing is very important for optimizing performance in low and high-frequency ranges. Bypass capacitors should be placed as close as possible to the IC pin (pin 4) to improve high-frequency bypassing. A capacitor (C_{LF}) greater than 100 μF is necessary to improve the PSRR in low frequencies. For better quality bypassing, you can add a capacitor of 470 nF (C_{HF}), also placed as close as possible to the IC pin, to improve the PSRR in the higher frequencies.

Figure 1. Circuit for power supply bypassing



4 Using the TSH345 to drive Y-C, CVBS, Y-U-V, Y-Pb-Pr and R-G-B video components

Figure 2. Implementation of the video driver on output video DACs

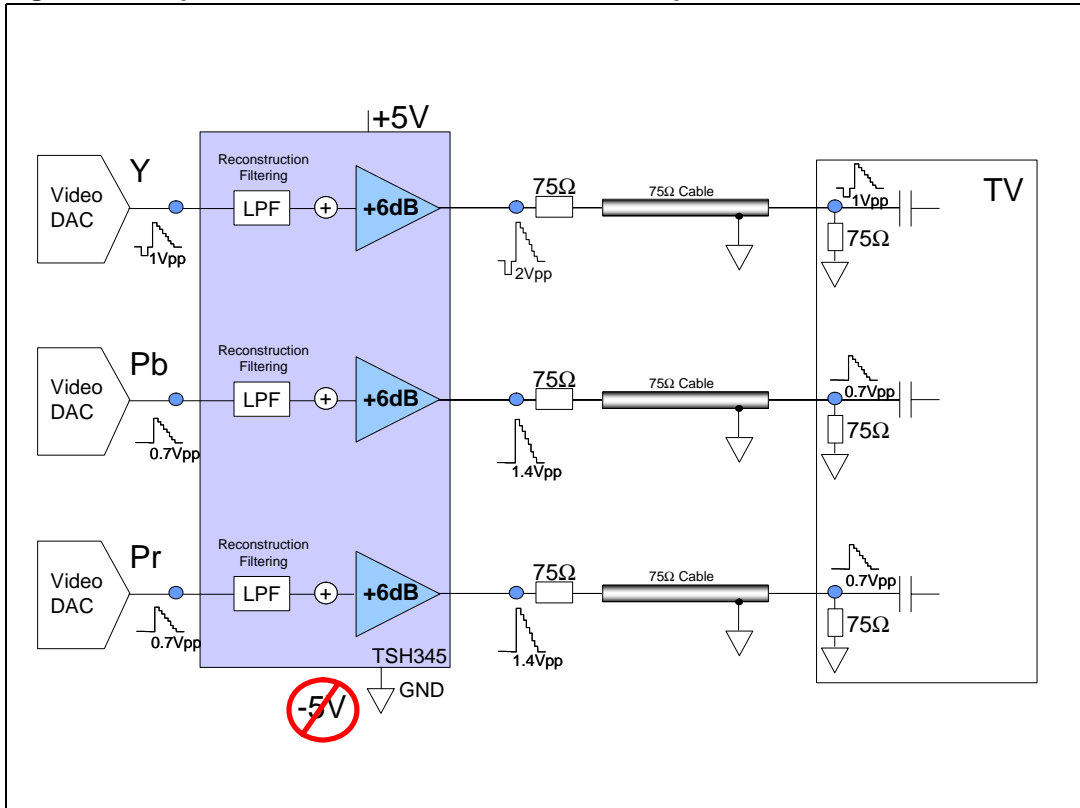


Figure 3. Shapes of video signals coming from DACs (example for a black picture)

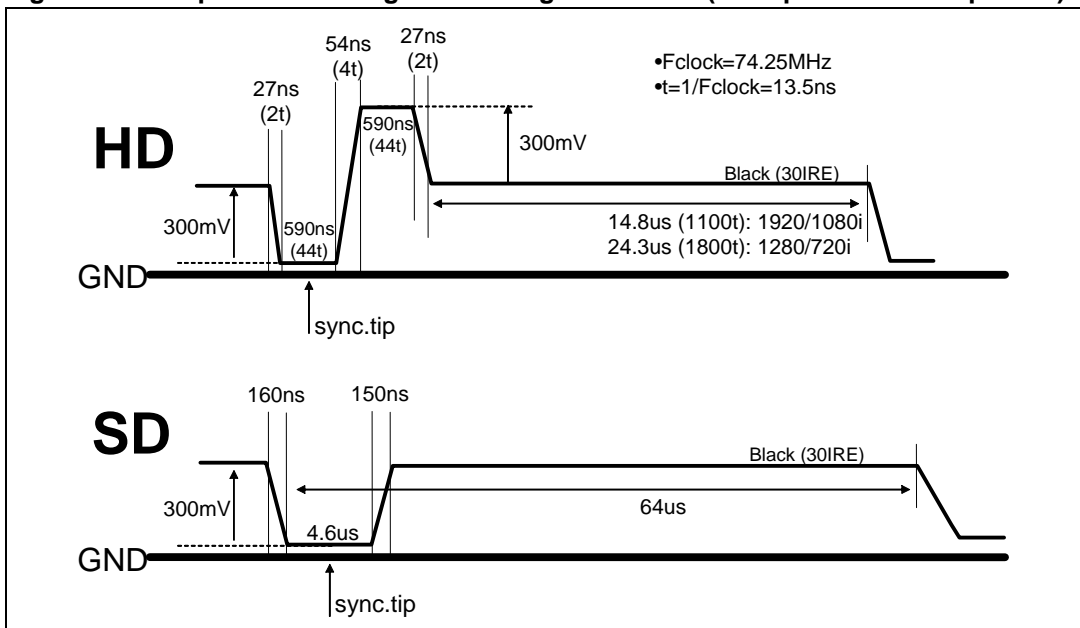
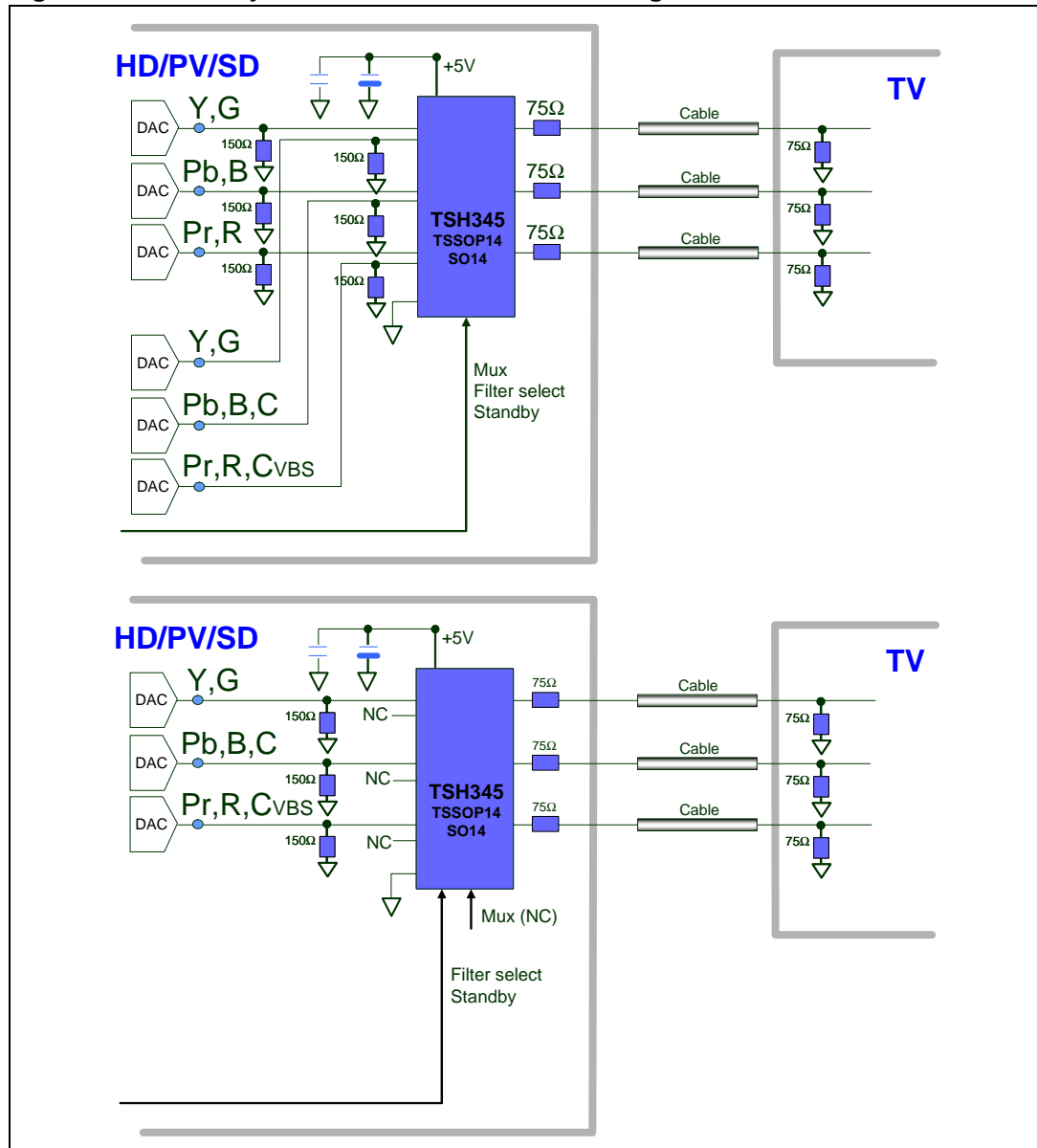


Figure 4. Flexibility of the TSH345 for SD and HD signals



The TSH345 is used to drive either high definition video signals up to 30 MHz, or progressive and interlaced standard definition video signals on 75-ohm video lines. It can drive a large panel of signals like Y-C and CVBS, Y-U-V, Y-Pb-Pr and R-G-B where the bottom of the signal (the synchronization tip in the case of Y and CVBS signals) is close to zero volts. An internal input DC value is added to the video signal in order to shift the bottom from GND.

The shift is not based on the average of the signal, but is an analog summation of a DC component to the video signal. Therefore, no input capacitors are required, which provides a real advantage in terms of cost and board space.

Under these conditions, it is possible to drive the signal in single supply without any saturation of the driver against the lower rail.

Because half of the signal is lost through output impedance matching, in order to properly drive the video line, the shifted signal is multiplied by a gain of 2 or +6 dB.

4.1 Output capacitor

The output can be either DC-coupled or AC-coupled. The output can be connected to the line via a 75-ohm resistor directly (see [Figure 5](#)). Or, an output capacitor can be used to remove any DC components in the load. Assuming the load is 150-ohm, a coupling capacitor of 220 μF can be used to provide a very low cut-off frequency close to 5 Hz (see [Figure 6](#)).

Figure 5. DC output coupling (1 of 3 channels)

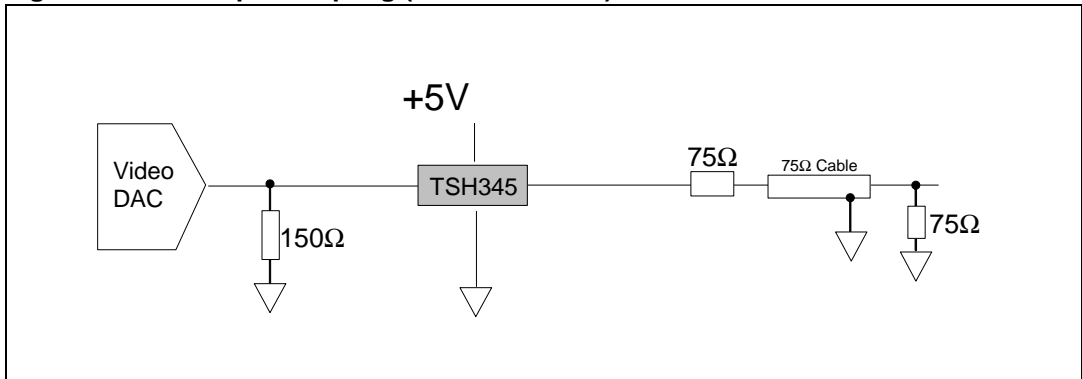
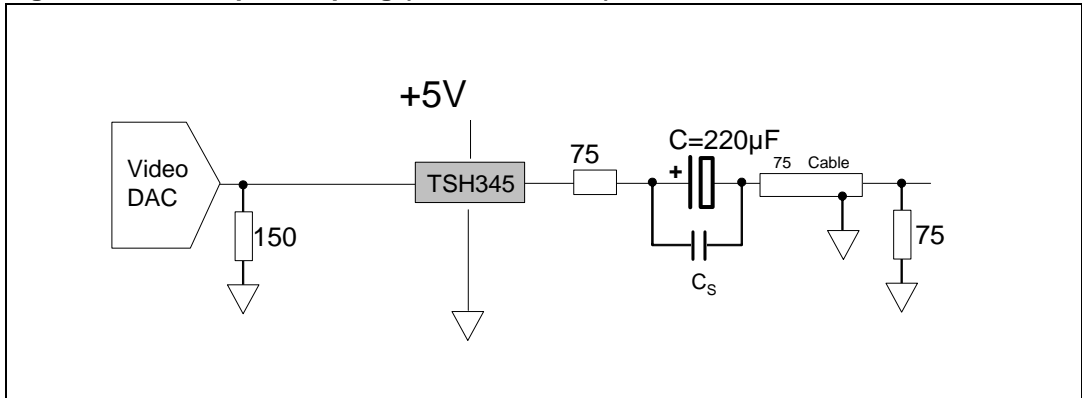


Figure 6. AC output coupling (1 of 3 channels)



1. C_S is a 100nF used to decrease the parasitic components of C in high frequencies.
2. The 75-ohm resistor must be as close as possible to the output of the driver to minimize the effect of parasitic capacitance.

5 Package information

In order to meet environmental requirements, STMicroelectronics offers these devices in ECOPACK[®] packages. These packages have a lead-free second level interconnect. The category of second level interconnect is marked on the package and on the inner box label, in compliance with JEDEC Standard JESD97. The maximum ratings related to soldering conditions are also marked on the inner box label. ECOPACK is an STMicroelectronics trademark. ECOPACK specifications are available at: www.st.com.

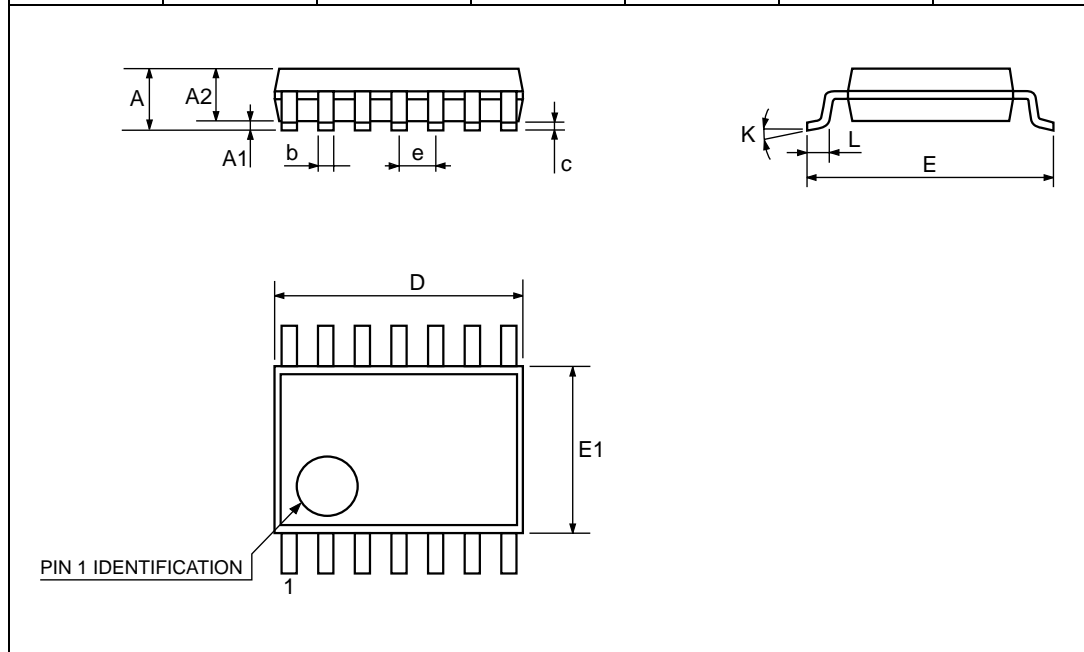
5.1 SO-14 package

Ref.	Dimensions					
	Millimeters			Inches		
	Min.	Typ.	Max.	Min.	Typ.	Max.
A			1.75			0.068
a1	0.1		0.2	0.003		0.007
a2			1.65			0.064
b	0.35		0.46	0.013		0.018
b1	0.19		0.25	0.007		0.010
C		0.5			0.019	
c1	45° (typ.)					
D	8.55		8.75	0.336		0.344
E	5.8		6.2	0.228		0.244
e		1.27			0.050	
e3		7.62			0.300	
F	3.8		4.0	0.149		0.157
G	4.6		5.3	0.181		0.208
L	0.5		1.27	0.019		0.050
M			0.68			0.026
S	8° (max.)					

The figure contains three mechanical drawings of the SO-14 package. The top-left drawing is a side view showing dimensions A (total height), a2 (lead height), b (lead thickness), e (lead pitch), and e3 (total lead length). The top-right drawing is a perspective view showing dimensions L (lead length), G (lead width), C (lead thickness), c1 (lead angle), a1 (lead height), b1 (lead thickness), and s (lead slope). The bottom drawing is a top-down view showing dimensions D (total width), M (lead width), F (package height), and pin numbers 1, 7, 8, and 14.

5.2 TSSOP14 package

Ref.	Dimensions					
	Millimeters			Inches		
	Min.	Typ.	Max.	Min.	Typ.	Max.
A			1.2			0.047
A1	0.05		0.15	0.002	0.004	0.006
A2	0.8	1	1.05	0.031	0.039	0.041
b	0.19		0.30	0.007		0.012
c	0.09		0.20	0.004		0.0089
D	4.9	5	5.1	0.193	0.197	0.201
E	6.2	6.4	6.6	0.244	0.252	0.260
E1	4.3	4.4	4.48	0.169	0.173	0.176
e		0.65 BSC			0.0256 BSC	
K	0°		8°	0°		8°
L1	0.45	0.60	0.75	0.018	0.024	0.030



6 Ordering information

Table 6. Order codes

Part number	Temperature range	Package	Packing	Marking
TSH345ID	-40°C to +85°C	SO14	Tube	TSH345I
TSH345IDT			Tape & reel	TSH345I
TSH345IPT		TSSOP14	Tape & reel	TSH345I

7 Revision history

Date	Revision	Changes
29-May-07	1	Preliminary data, initial release.

Please Read Carefully:

Information in this document is provided solely in connection with ST products. STMicroelectronics NV and its subsidiaries ("ST") reserve the right to make changes, corrections, modifications or improvements, to this document, and the products and services described herein at any time, without notice.

All ST products are sold pursuant to ST's terms and conditions of sale.

Purchasers are solely responsible for the choice, selection and use of the ST products and services described herein, and ST assumes no liability whatsoever relating to the choice, selection or use of the ST products and services described herein.

No license, express or implied, by estoppel or otherwise, to any intellectual property rights is granted under this document. If any part of this document refers to any third party products or services it shall not be deemed a license grant by ST for the use of such third party products or services, or any intellectual property contained therein or considered as a warranty covering the use in any manner whatsoever of such third party products or services or any intellectual property contained therein.

UNLESS OTHERWISE SET FORTH IN ST'S TERMS AND CONDITIONS OF SALE ST DISCLAIMS ANY EXPRESS OR IMPLIED WARRANTY WITH RESPECT TO THE USE AND/OR SALE OF ST PRODUCTS INCLUDING WITHOUT LIMITATION IMPLIED WARRANTIES OF MERCHANTABILITY, FITNESS FOR A PARTICULAR PURPOSE (AND THEIR EQUIVALENTS UNDER THE LAWS OF ANY JURISDICTION), OR INFRINGEMENT OF ANY PATENT, COPYRIGHT OR OTHER INTELLECTUAL PROPERTY RIGHT.

UNLESS EXPRESSLY APPROVED IN WRITING BY AN AUTHORIZED ST REPRESENTATIVE, ST PRODUCTS ARE NOT RECOMMENDED, AUTHORIZED OR WARRANTED FOR USE IN MILITARY, AIR CRAFT, SPACE, LIFE SAVING, OR LIFE SUSTAINING APPLICATIONS, NOR IN PRODUCTS OR SYSTEMS WHERE FAILURE OR MALFUNCTION MAY RESULT IN PERSONAL INJURY, DEATH, OR SEVERE PROPERTY OR ENVIRONMENTAL DAMAGE. ST PRODUCTS WHICH ARE NOT SPECIFIED AS "AUTOMOTIVE GRADE" MAY ONLY BE USED IN AUTOMOTIVE APPLICATIONS AT USER'S OWN RISK.

Resale of ST products with provisions different from the statements and/or technical features set forth in this document shall immediately void any warranty granted by ST for the ST product or service described herein and shall not create or extend in any manner whatsoever, any liability of ST.

ST and the ST logo are trademarks or registered trademarks of ST in various countries.

Information in this document supersedes and replaces all information previously supplied.

The ST logo is a registered trademark of STMicroelectronics. All other names are the property of their respective owners.

© 2007 STMicroelectronics - All rights reserved

STMicroelectronics group of companies

Australia - Belgium - Brazil - Canada - China - Czech Republic - Finland - France - Germany - Hong Kong - India - Israel - Italy - Japan - Malaysia - Malta - Morocco - Singapore - Spain - Sweden - Switzerland - United Kingdom - United States of America

www.st.com