

XC74WL86AASR

ETR1319_001

CMOS Logic

■ GENERAL DESCRIPTION

XC74WL86AASR is dual 2-input exclusive OR Gate manufactured using silicon gate CMOS processes. The small supply current, which is one of the features of the CMOS logic, gives way to high speed operations which enables LS-TTL. With wave forming buffers connected internally, stabilized output can be achieved as the series offers high noise immunity. As the series is integrated into a mini molded, MSOP-8B package, high density mounting is possible.

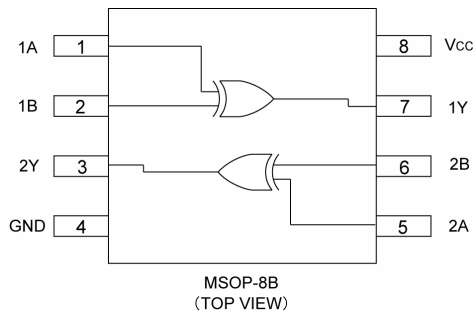
■ APPLICATIONS

- Palmtops
- Digital equipment

■ FEATURES

High Speed Operations : tpd = 3.1ns (TYP.) (VCC=5V)
Operating Voltage Range : 2V ~ 5.5V
Low Power Consumption: 1 μ A (MAX.)@Ta=25°C
CMOS Logic Dual 2-Input Exclusive OR Gate
Small Package : MSOP-8B

■ PIN CONFIGURATION



■ FUNCTIONS

INPUT		OUTPUT
A	B	Y
H	H	L
H	L	H
L	H	H
L	L	L

H=High level

L=Low level

■ ABSOLUTE MAXIMUM RATINGS

Ta=-40°C~85°C

PARAMETER	SYMBOL	RATINGS	UNITS
Supply Voltage	VCC	-0.5~+6.0	V
Input Voltage	VIN	-0.5~+6.0	V
Output Voltage	VOUT	-0.5~VCC+0.5	V
Input Diode Current	I _{IK}	-20	mA
Output Diode Current	I _{OK}	±20	mA
Switch Output Current	I _{OUT}	±25	mA
VCC,GND Current	I _{CC} ,I _{GND}	±50	mA
Power Dissipation (Ta = 25°C)	Pd	300	mW
Storage Temperature Range	T _{stg}	-65~+150	°C

Note; Voltage is all ground standardized.

RECOMMENDED OPERATING CONDITIONS

PARAMETER	SYMBOL	CONDITIONS	UNITS
Supply Voltage	V _{CC}	2~5.5	V
Input Voltage	V _{IN}	0~5.5	V
Output Voltage	V _{OUT}	0~V _{CC}	V
Operating Temperature Range	T _{opr}	-40~+85	°C
Input Rise and Fall Time	tr, tf	0~200 (V _{CC} =3.3V)	ns
		0~100 (V _{CC} =5V)	

DC ELECTRICAL CHARACTERISTICS

PARAMETER	SYMBOL	V _{CC} (V)	CONDITIONS	Ta=25°C			Ta=-40°C~85°C		UNITS	
				MIN.	TYP.	MAX.	MIN.	MAX.		
Input Voltage	V _{IH}	2.0		1.5	—	—	1.5	—	V	
		3.0		2.1	—	—	2.1	—		
		5.5		3.85	—	—	3.85	—		
	V _{IL}	2.0		—	—	0.5	—	0.5	V	
		3.0		—	—	0.9	—	0.9		
		5.5		—	—	1.65	—	1.65		
Output Voltage	V _{OH}	2.0	V _{IN} =V _{IL} or V _{IH}	I _{OH} =-50 μA	1.9	2.0	—	1.9	—	V
		3.0			2.9	3.0	—	2.9	—	
		4.5			4.4	4.5	—	4.4	—	
		3.0		I _{OH} =-4mA	2.58	—	—	2.48	—	
		4.5		I _{OH} =-8mA	3.94	—	—	3.80	—	
	V _{OL}	2.0	V _{IN} =V _{IL} or V _{IH}	I _{OL} =50 μA	—	—	0.1	—	0.1	V
		3.0			—	—	0.1	—	0.1	
		4.5			—	—	0.1	—	0.1	
		3.0		I _{OL} =4mA	—	—	0.36	—	0.44	
		4.5		I _{OL} =8mA	—	—	0.36	—	0.44	
Input Current	I _{IN}	0~5.5	V _{IN} =V _{CC} or GND	-0.1	—	0.1	-1.0	1.0	μA	
Static Supply Current	I _{CC}	5.5	V _{IN} =V _{CC} or GND, I _{OUT} =0 μA	—	—	1.0	—	10.0	μA	

SWITCHING ELECTRICAL CHARACTERISTICS

(tr=tf=3ns)

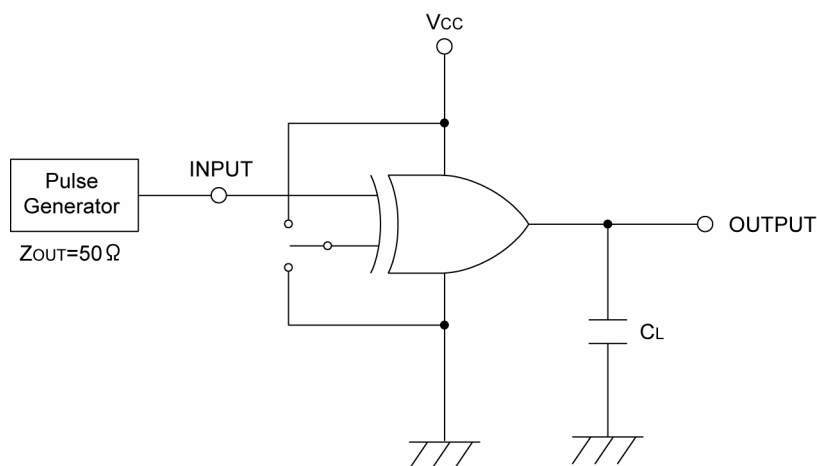
PARAMETER	SYMBOL	CL	V _{CC} (V)	CONDITIONS	Ta=25°C			Ta=-40°C~85°C		UNITS
					MIN.	TYP.	MAX.	MIN.	MAX.	
Delay Time	t _{PLH}	15pF	3.3		—	4.4	11.0	1.0	13.0	ns
			5.0		—	3.3	6.8	1.0	8.0	
		50pF	3.3		—	6.1	14.5	1.0	16.5	ns
			5.0		—	4.4	8.8	1.0	10.0	
	t _{PHL}	15pF	3.3		—	4.0	11.0	1.0	13.0	ns
			5.0		—	2.9	6.8	1.0	8.0	
		50pF	3.3		—	5.6	14.5	1.0	16.5	ns
			5.0		—	4.1	8.8	1.0	10.0	
Input Capacitance	C _{IN}	—	5.0	V _{IN} =V _{CC} or GND	—	4	10	—	10	pF
Power Dissipation Capacitance	C _{pd}	No Load, f=1MHz			—	12	—	—	—	pF

NOISE CHARACTERISTICS

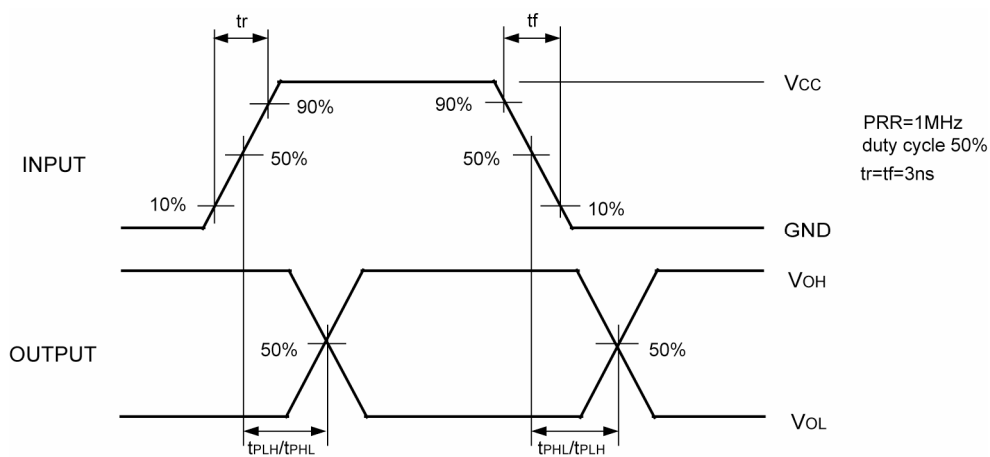
(tr=tf=3ns)

PARAMETER	SYMBOL			CONDITIONS	Ta=25°C			UNITS
		CL	Vcc(V)		MIN.	TYP.	MAX.	
Non Functional Output Maximum Dynamic VOL	VOLP	50pF	5.0		—	0.3	0.8	V
Non Functional Output Minimum Dynamic VOL	VOLV	50pF	5.0		-0.8	-0.3	—	V
Minimum Dynamic VIH	VIHD	50pF	5.0		—	—	3.5	V
Maximum Dynamic VIL	VILD	50pF	5.0		—	—	1.5	V

TEST CIRCUIT



WAVEFORM



1. The products and product specifications contained herein are subject to change without notice to improve performance characteristics. Consult us, or our representatives before use, to confirm that the information in this catalog is up to date.
2. We assume no responsibility for any infringement of patents, patent rights, or other rights arising from the use of any information and circuitry in this catalog.
3. Please ensure suitable shipping controls (including fail-safe designs and aging protection) are in force for equipment employing products listed in this catalog.
4. The products in this catalog are not developed, designed, or approved for use with such equipment whose failure of malfunction can be reasonably expected to directly endanger the life of, or cause significant injury to, the user.
(e.g. Atomic energy; aerospace; transport; combustion and associated safety equipment thereof.)
5. Please use the products listed in this catalog within the specified ranges.
Should you wish to use the products under conditions exceeding the specifications, please consult us or our representatives.
6. We assume no responsibility for damage or loss due to abnormal use.
7. All rights reserved. No part of this catalog may be copied or reproduced without the prior permission of Torex Semiconductor Ltd.

TOREX SEMICONDUCTOR LTD.