

86SMX CRYSTALS
13.1mm x 9.4mm

DESCRIPTION

86SMX crystals are long-established in the industry. The crystals are manufactured in epoxy and supplied on 24mm EIA tape and reel for mass-market applications.

FEATURES

- Frequency range 3.5MHz to 70MHz
- Industry-standard package
- Compact: 13.1mm x 5.1mm
- Available packaged in standard EIA 24mm tape and reel

GENERAL SPECIFICATION

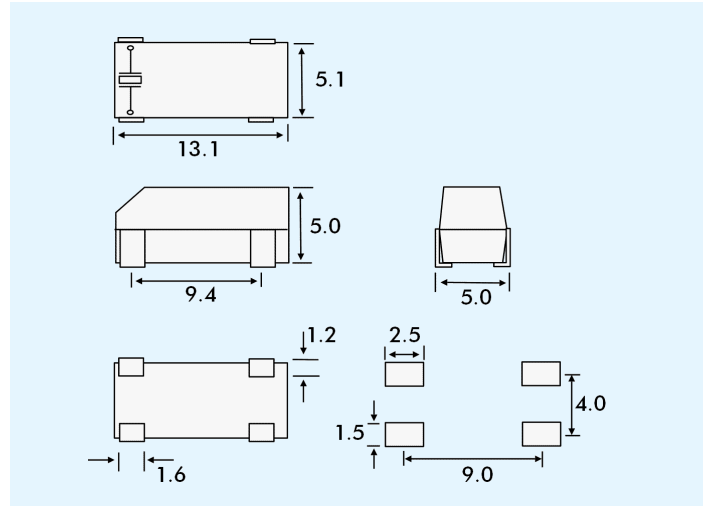
Frequency Range	
AT-Cut Fundamental:	3.5MHz to 30.0MHz
AT-Cut 3rd Overtone:	30.1MHz to 70.0MHz
BT-Cut Fundamental:	25.0MHz to 40.0MHz
Calibration Tolerance at 25°C*:	±50ppm
Frequency stability over temp.*	
AT-Cut:	±50ppm over -10° to +60°C
BT-Cut:	±100ppm over -10° to +60°C
Storage Temperature:	-40° ~ +85°C
Shunt Capacitance (C0):	7pF maximum
Load Capacitance (CL):	Series or 8pF to 32pF (Customer specified CL)
Ageing:	< ±3ppm per year at +25°C
Drive level:	100mW max
Reflow Soldering:	10s maximum at 260°C
Holder:	Plastic-moulded
Packaging:	24mm EIA tape and reel 1000 pieces per reel

Notes:
* Tighter tolerance, tighter stability and lower ESR parameters may be available, check with Euroquartz technical sales.

OSCILLATION MODE & ESR

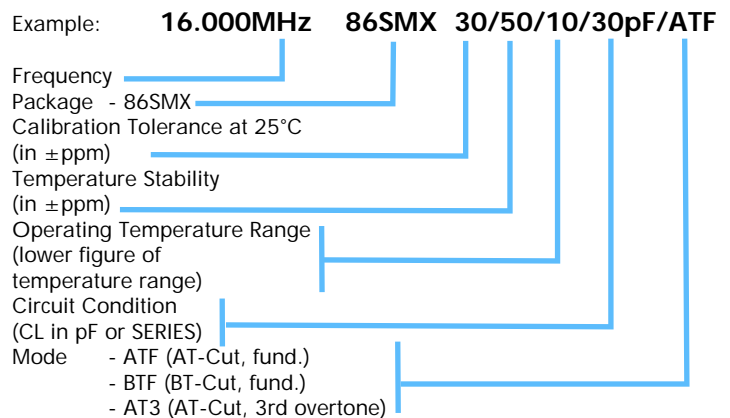
Frequency (MHz)	Crystal Cut Oscillation Mode	ESR (max) (Ohms)
3.5 ~ 3.99	AT Fund.	200
4.0 ~ 4.99	AT Fund.	150
5.0 ~ 5.99	AT Fund.	120
6.0 ~ 6.99	AT Fund.	100
7.0 ~ 7.99	AT Fund.	80
8.0 ~ 12.9	AT Fund.	60
13.0 ~ 30.0	AT Fund.	40
25.1 ~ 45.0	BT Fund.	40
30.0 ~ 70.0	AT 3rd OT	100

OUTLINES AND DIMENSIONS



PART NUMBER GENERATION

86SMX crystal part numbers are derived as follows:



STOCKHOLDING AND CUSTOM PARTS

Certain frequencies and specifications of 86SMX crystals are stocked by Euroquartz. Custom frequencies and specifications may be manufactured to order. Contact Euroquartz sales office for details.