

CRYSTAL CONTROLLED OSCILLATORS

8 Pin DIP ACMOS Clock Oscillator



ABSOLUTE MAXIMUM RATINGS

TABLE 1.0

PARAMETER	UNITS	MINIMUM	NOMINAL	MAXIMUM	UNITS	NOTE
Storage Temperature		-55	-	125	°C	
Supply Voltage	(Vcc)	-0.5	-	7	Vdc	

OPERATING SPECIFICATIONS

TABLE 2.0

PARAMETER		MINIMUM	NOMINAL	MAXIMUM	UNITS	NOTE
Frequency Range	(Fo)	13	-	105	MHz	
Total Frequency Tolerance		-100	-	100	ppm	1
Operating Temperature Range		-55	-	125	°C	
Supply Voltage	(Vcc)	2.97	3.30	3.63	Vdc	
Supply Current	(Icc)	-	-	70	mA	
Jitter (BW=10Hz to 20MHz)		-	-	5	ps rms	
Jitter (BW=12kHz to 20MHz)		-	-	1	ps rms	
SSB Phase Noise at 10Hz offset		-	-60	-	dBc/Hz	
SSB Phase Noise at 100Hz offset		-	-90	-	dBc/Hz	
SSB Phase Noise at 1KHz offset		-	-125	-	dBc/Hz	
SSB Phase Noise at 10KHz offset		-	-135	-	dBc/Hz	
SSB Phase Noise at 100KHz offset		-	-140	-	dBc/Hz	

A73AA

DESCRIPTION

The Connor-Winfield A73AA is a hermetically sealed, 3.3V, Crystal Controlled Oscillator (XO) ACMOS Compatible. The A73AA is designed for applications requiring a wide temperature range.

ACMOS OUTPUT CHARACTERISTICS

TABLE 3.0

PARAMETER		MINIMUM	NOMINAL	MAXIMUM	UNITS	NOTE
LOAD		-	-	50	pF	
Voltage (High)	(Voh)	Vcc-0.5	-	-	Vdc	
(Low)	(Vol)	-	-	0.44	Vdc	
Current (High)	(Ioh)	-24	-	-	mA	
(Low)	(Iol)	-	-	24	mA	
Duty Cycle at 50% of Vcc		45	50	55	%	
Rise / Fall Time 10% to 90%		-	1.5	3	nS	

PACKAGE CHARACTERISTICS

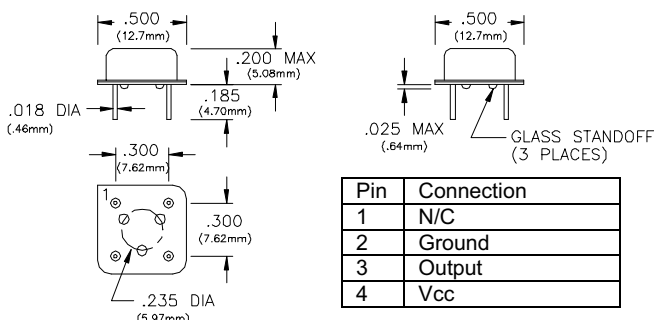
TABLE 4.0

Package	Hermetically sealed, metal package.
---------	-------------------------------------

Note:

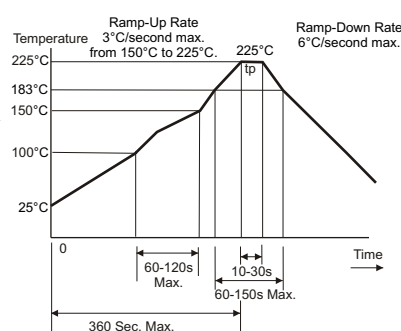
- Inclusive of calibration, frequency vs. temperature stability, supply voltage change, load change, shock and vibration, 15 years aging.

Package Outline



Dimensional Tolerance:
±.005 (.127mm)

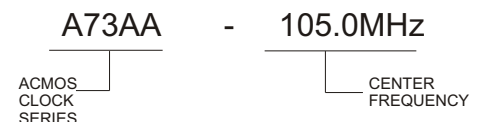
Solder Profile



FEATURES

- 3.3V OPERATION
- FREQUENCY RANGE: 13 to 125 MHz
- FREQUENCY TOLERANCE ±100ppm
- TEMPERATURE RANGE: -55 to 125°C
- LOW JITTER <1ps RMS
- HERMETICALLY SEALED DIP PACKAGE
- RoHS 5/6 COMPLIANT

ORDERING INFORMATION



Specifications subject to change without notice.