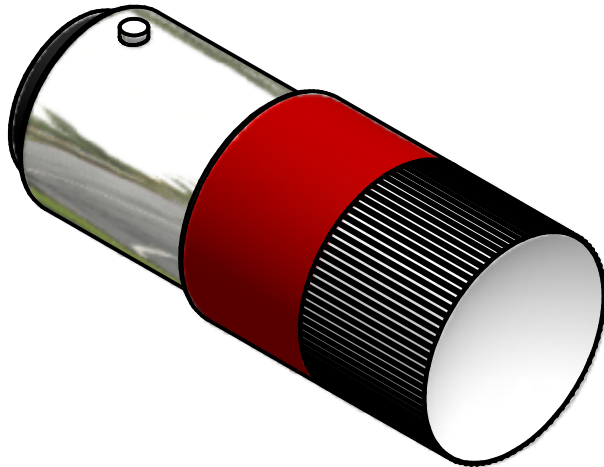


REVISION FOR DWG # 1PB-MCB15xxx

| REV | CH.NO. | DESCRIPTION | DATE | REVISED BY |
|-----|--------|-----------------|------------|------------|
| - | - | ORIGINAL DESIGN | 11/21/2007 | PHILIPP E. |

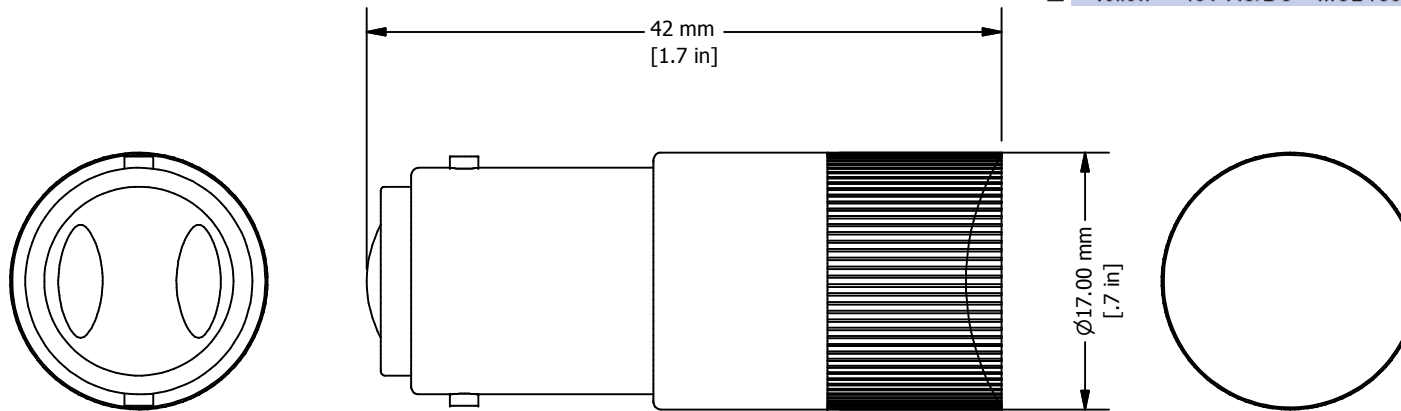


Replacement LED Bulbs

| 12V AC/DC | | | 110V AC/DC | | |
|--|-----------|----------|--|------------|----------|
| Color | Voltage | Cat No. | Color | Voltage | Cat No. |
| <input type="checkbox"/> White | 12V AC/DC | MCB15112 | <input type="checkbox"/> White | 110V AC/DC | MCB15110 |
| <input checked="" type="checkbox"/> Green | 12V AC/DC | MCB15312 | <input checked="" type="checkbox"/> Green | 110V AC/DC | MCB15310 |
| <input checked="" type="checkbox"/> Red | 12V AC/DC | MCB15412 | <input checked="" type="checkbox"/> Red | 110V AC/DC | MCB15410 |
| <input checked="" type="checkbox"/> Amber | 12V AC/DC | MCB15512 | <input checked="" type="checkbox"/> Amber | 110V AC/DC | MCB15510 |
| <input checked="" type="checkbox"/> Blue | 12V AC/DC | MCB15612 | <input checked="" type="checkbox"/> Blue | 110V AC/DC | MCB15610 |
| <input checked="" type="checkbox"/> Yellow | 12V AC/DC | MCB15812 | <input checked="" type="checkbox"/> Yellow | 110V AC/DC | MCB15810 |

| 24V AC/DC | | | 230V AC | | |
|--|-----------|----------|--|---------|-----------|
| Color | Voltage | Cat No. | Color | Voltage | Cat No. |
| <input type="checkbox"/> White | 24V AC/DC | MCB15124 | <input type="checkbox"/> White | 230V AC | MCB151230 |
| <input checked="" type="checkbox"/> Green | 24V AC/DC | MCB15324 | <input checked="" type="checkbox"/> Green | 230V AC | MCB153230 |
| <input checked="" type="checkbox"/> Red | 24V AC/DC | MCB15424 | <input checked="" type="checkbox"/> Red | 230V AC | MCB154230 |
| <input checked="" type="checkbox"/> Amber | 24V AC/DC | MCB15524 | <input checked="" type="checkbox"/> Amber | 230V AC | MCB155230 |
| <input checked="" type="checkbox"/> Blue | 24V AC/DC | MCB15624 | <input checked="" type="checkbox"/> Blue | 230V AC | MCB156230 |
| <input checked="" type="checkbox"/> Yellow | 24V AC/DC | MCB15824 | <input checked="" type="checkbox"/> Yellow | 230V AC | MCB158230 |

| 48V AC/DC | | | 230V DC | | |
|--|-----------|----------|--|---------|------------|
| Color | Voltage | Cat No. | Color | Voltage | Cat No. |
| <input type="checkbox"/> White | 48V AC/DC | MCB15148 | <input type="checkbox"/> White | 230V DC | MCB151230D |
| <input checked="" type="checkbox"/> Green | 48V AC/DC | MCB15348 | <input checked="" type="checkbox"/> Green | 230V DC | MCB153230D |
| <input checked="" type="checkbox"/> Red | 48V AC/DC | MCB15448 | <input checked="" type="checkbox"/> Red | 230V DC | MCB154230D |
| <input checked="" type="checkbox"/> Amber | 48V AC/DC | MCB15548 | <input checked="" type="checkbox"/> Amber | 230V DC | MCB155230D |
| <input checked="" type="checkbox"/> Blue | 48V AC/DC | MCB15648 | <input checked="" type="checkbox"/> Blue | 230V DC | MCB156230D |
| <input checked="" type="checkbox"/> Yellow | 48V AC/DC | MCB15848 | <input checked="" type="checkbox"/> Yellow | 230V DC | MCB158230D |



UNLESS OTHERWISE SPECIFIED:
 • ALL DIMENSIONS ARE IN MILLIMETERS
 • THIRD ANGLE PROJECTION



This Drawing is the property of
Altech Corp.

35 Royal Road
 Flemington, NJ 08822-6000
 (908) 806-9400
 Fax (908) 806-9490

M
E
T
R
I
C

| TOLERANCE | |
|-----------|-----------|
| XX | = ±1 mm |
| XX.X | = ±0.5 mm |
| XX.XX | = ±0.2 mm |
| ALL | = - mm |

AND IS A CONFIDENTIAL DISCLOSURE
 WITHOUT THE BORROWER'S AGREEMENT THAT IT SHALL NOT BE REPRODUCED, COPIED, LENT OR DISPOSED OF DIRECTLY OR INDIRECTLY NOR USED FOR ANY PURPOSE OTHER THAN THAT FOR WHICH IT IS SPECIFICALLY FURNISHED.

TITEL 30 mm Replacment LED Bulbs

| | | | | | |
|----------------------------------|------------|--------------|--------------|--------|---|
| DRAWN BY: Philipp Ernstberger | 11/21/2007 | DRAWING NO.: | 1PB-MCB15xxx | REV.: | - |
| CHECKED BY: Laszlo Gyorgypal | 11/21/2007 | SCALE: | - | SHEET: | 1 |
| RELEASED BY: Laszlo Gyorgypal | 11/21/2007 | | | OF: | 1 |