



Frontier Electronics Corp.

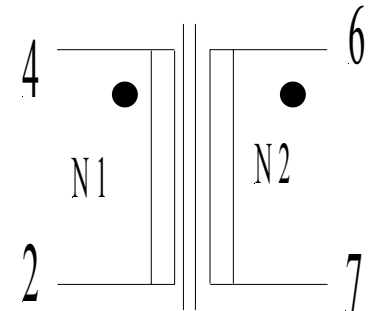
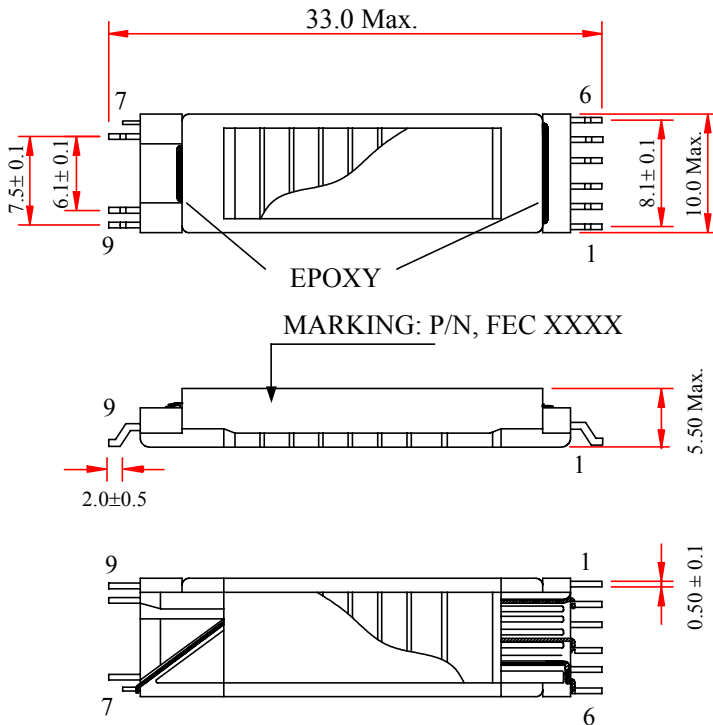
667 E. COCHRAN STREET, SIMI VALLEY, CA 93065
 TEL: (805) 522-9998 FAX: (805) 522-9989
 E-mail: frontiersales@frontierusa.com
 Web: frontierusa.com

CCFL Inverter Transformer—SIH1005-01

A. Electrical specification:

Part No.	Marking	Suitable Frequency	Max. Open Voltage	Max. Lamp Watt.	Efficiency
SIH1005-01	SIH1005-01	40KHz~200KHz	1600Vrms	3.5W	80%

B. Schematics and Mechanical dimensions: (Unit: mm)



Turn Ratio:
 $N1 : N2 = 1 : 85.7$

C. Electrical Data:

Winding	Start	Finish	L (@ 50KHz,1.0V)	Lk(@ 50KHz,1.0V)	DCR Ω (@25°C)
N1	4	2	65 μ H \pm 15 %		0.280 Max.
N2	6	7	450 mH \pm 15 %	158 mH \pm 10%	1350 Max.

D. Insulation:

Term	Item	Spec.	Condition
Hi-Pot	N 1 & N2 to Core	1200 VAC / 1 Minute	@Cut off current=5mA
	N1 to N2	500 VAC / 1 Minute	
Isolation	N 1 to N2 & N1, N2 to Core	100 M Ω	500V DC

E. Features:

- Low profile height: Maximum 5.0mm.
- High efficiency.
- Surface mount.
- Suitable for standard IR re-flows soldering.

F. Uses:

- Black Light power supplies transformer available.
- Personal Computer.

Note: **RoHS** compliant; for the **ROHS** parts, we add “-LFR” at the end of the P/N.