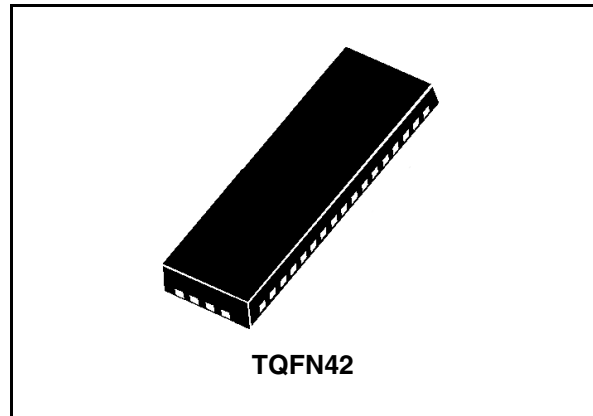


Octal SPDT high bandwidth signal switch

Features

- Supports PCIExpress signaling at 2.5Gbps
- Supports 3.0Gbps generic data rate
- Octal SPDT switch to support 2 PCI lanes
- Low Ron: 5.5Ω typical
- Internal voltage regulator
- V_{CC} operating range
 - 1.65 - 2.0V (Internal regulator bypassed)
 - 2.7 - 3.6V (Internal regulator active)
- Low current consumption: 150μA
- ESD HBM model : 2kV
- Channel on capacitance: 6pF typical
- Switching time speed: 9ns
- Near to zero propagation delay: 250ps
- Bandwidth: -3dB at 1200MHz
- Low crosstalk: -20dB at 1200MHz
- Bit to bit skew: 50 ps typical
- Data and control inputs provide undershoot clamp diode
- Wide bandwidth minimizes skew and jitter
- Hot insertion capable
- Supports bi-directional operation
- -40°C to 85°C operating temperature range



Description

The STMUX3040 is a differential Single Pole Double Throw (SPDT) 2 to 1, low Ron, bi-directional signal switch designed for PCIe signaling.

It is designed for very low cross-talk, low bit-to-bit skew, high channel-to-channel noise isolation and low I/O capacitance. The switch offers very little or practically no attenuation of the high speed signals at the outputs, thus preserving the signal integrity to pass stringent requirements.

Applications

- Workstation
- PC and Notebook

Table 1. Device summary

Order code	Package	Packaging
STMUX3040	TQFN42	Tape and reel

Contents

1	Functional diagrams	3
2	Pin settings	4
2.1	Pin connection	4
2.2	Pin description	5
2.3	Device operation table	6
3	Internal voltage regulator	7
4	Maximum rating	8
4.1	Absolute maximum rating	8
4.2	Thermal data	8
5	Electrical specification	9
5.1	DC electrical characteristics	9
5.2	Capacitance	10
5.3	Power supply characteristics	10
5.4	Dynamic electrical characteristics	10
5.5	Dynamic switching characteristics	11
5.6	ESD performance	11
6	Package mechanical data	12
7	Revision history	14

1 Functional diagrams

Figure 1. Functional diagram (Switches)

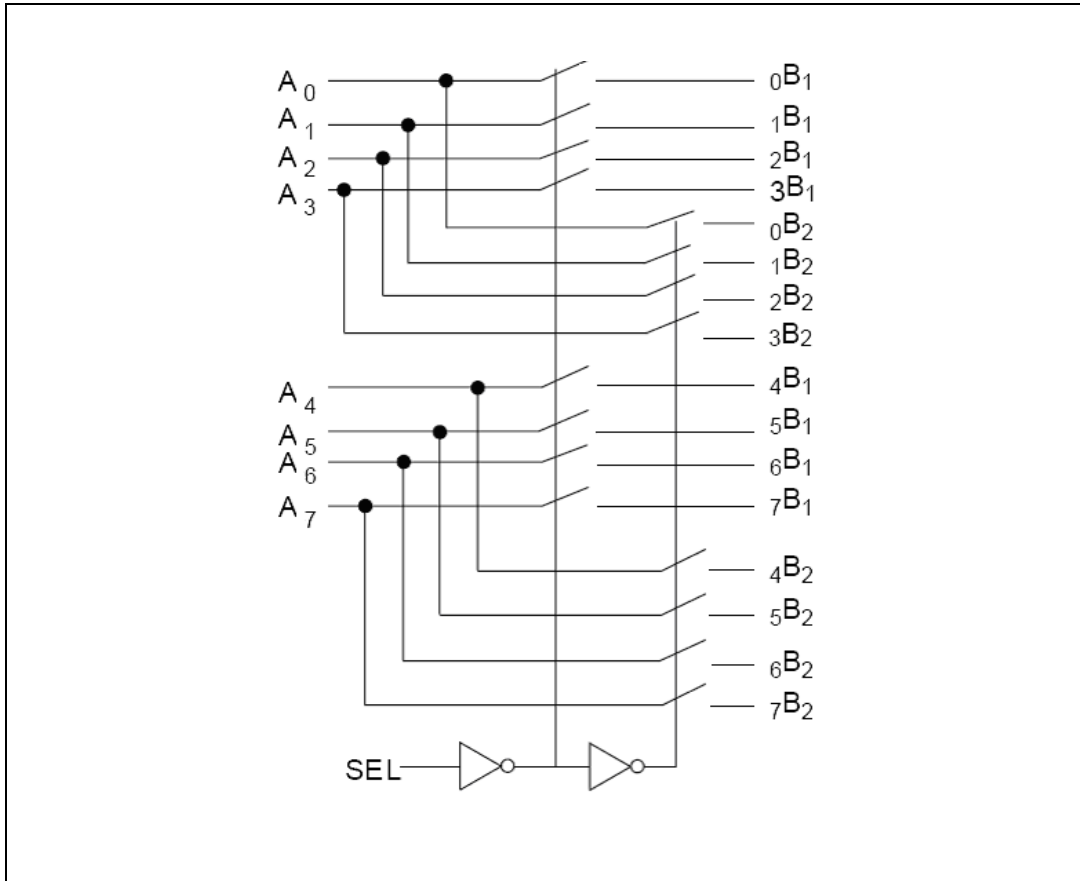
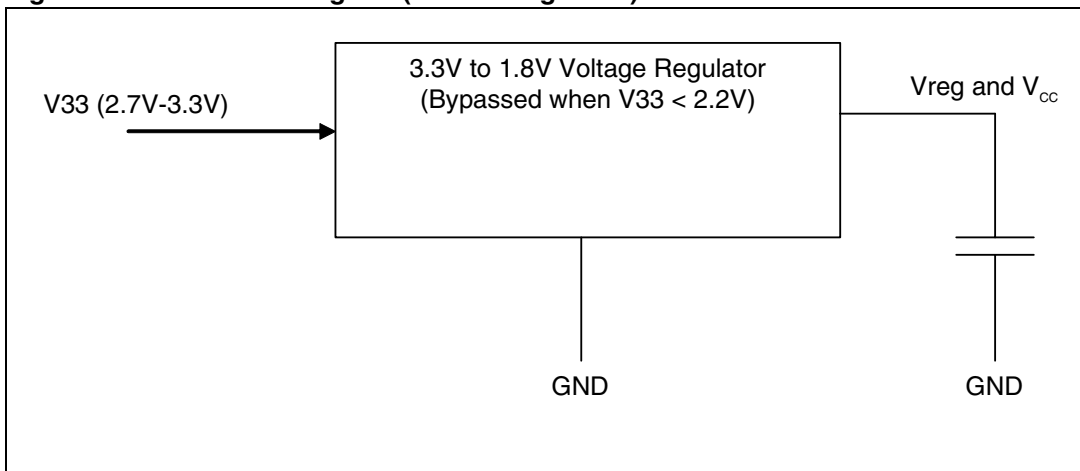


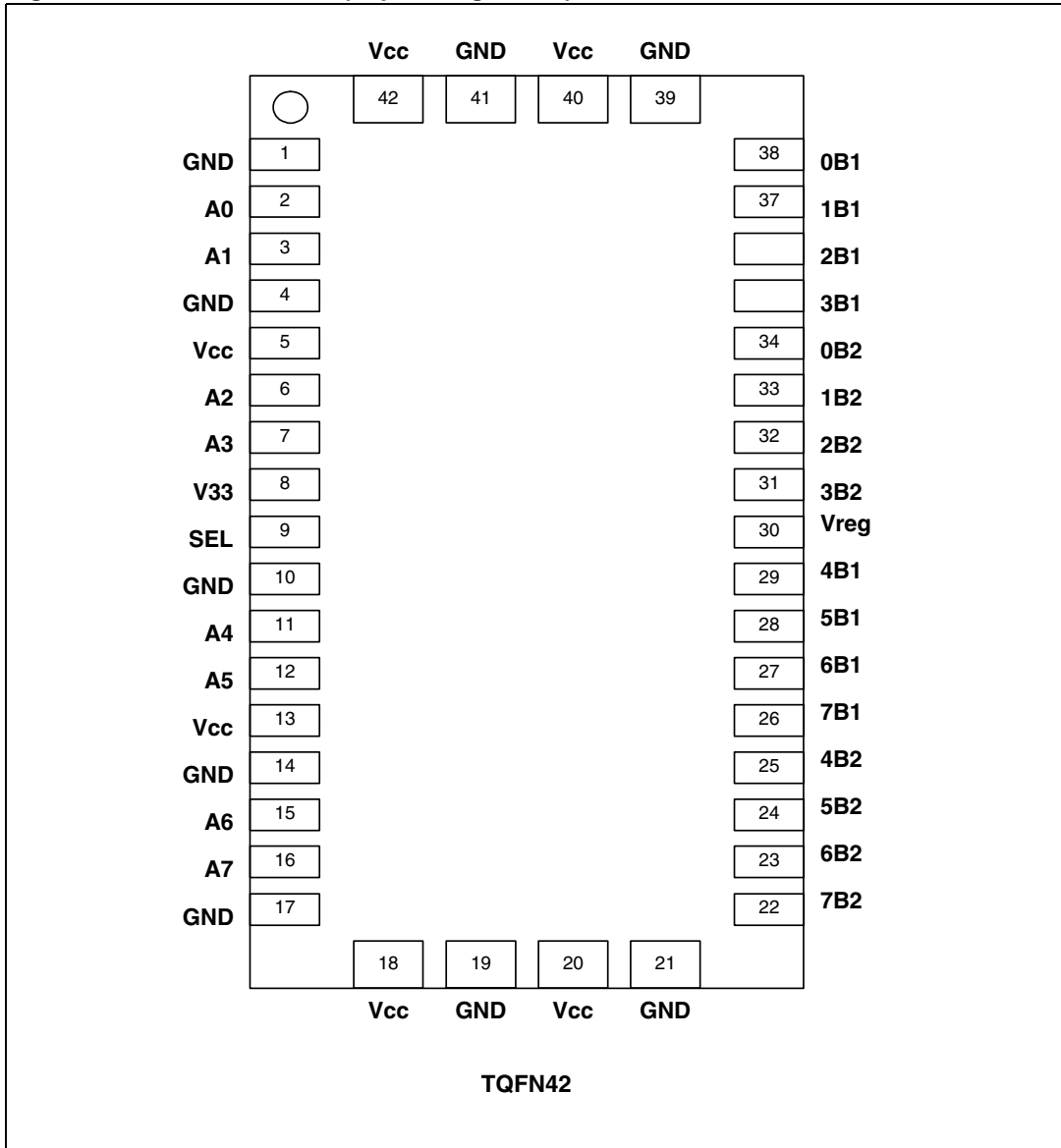
Figure 2. Functional diagram (Internal regulator)



2 Pin settings

2.1 Pin connection

Figure 3. Pin connection (Top through view)



2.2 Pin description

Table 2. Pin description

Pin number	Pin Name	Function
1	GND	Ground
2	A ₀	Switch
3	A ₁	Switch
4	GND	Ground
5	Vcc	1.65 - 2.0V Supply Tied to VREG if V33 > 2.2V
6	A ₂	Switch
7	A ₃	Switch
8	V33	2.7V – 3.3V (Internal Regulator Active) 1.65 – 2.0V (Internal Regulator Bypassed)
9	SEL	Switch select pin
10	GND	Ground
11	A ₄	Switch
12	A ₅	Switch
13	Vcc	1.65-2.0V Supply Tied to VREG if V33>2.2V
14	GND	Ground
15	A ₆	Switch
16	A ₇	Switch
17	GND	Ground
18	Vcc	1.65-2.0V Supply Tied to VREG if V33>2.2V
19	GND	Ground
20	Vcc	1.65-2.0V Supply Tied to VREG if V33>2.2V
21	GND	Ground
22	₇ B ₂	Switch
23	₆ B ₂	Switch
24	₅ B ₂	Switch
25	₄ B ₂	Switch
26	₇ B ₁	Switch
27	₆ B ₁	Switch
28	₅ B ₁	Switch

Table 2. Pin description (continued)

Pin number	Pin Name	Function
29	$_4B_1$	Switch
30	VREG	Output of internal regulator 22nF capacitor required here.
31	$_3B_2$	Switch
32	$_2B_2$	Switch
33	$_1B_2$	Switch
34	$_0B_2$	Switch
35	$_3B_1$	Switch
36	$_2B_1$	Switch
37	$_1B_1$	Switch
38	$_0B_1$	Switch
39	GND	Ground
40	Vcc	1.65-2.0V Supply Tied to V _{REG} if V ₃₃ >2.2V
41	GND	Ground
42	Vcc	1.65-2.0V Supply Tied to V _{REG} if V ₃₃ >2.2V

2.3 Device operation table

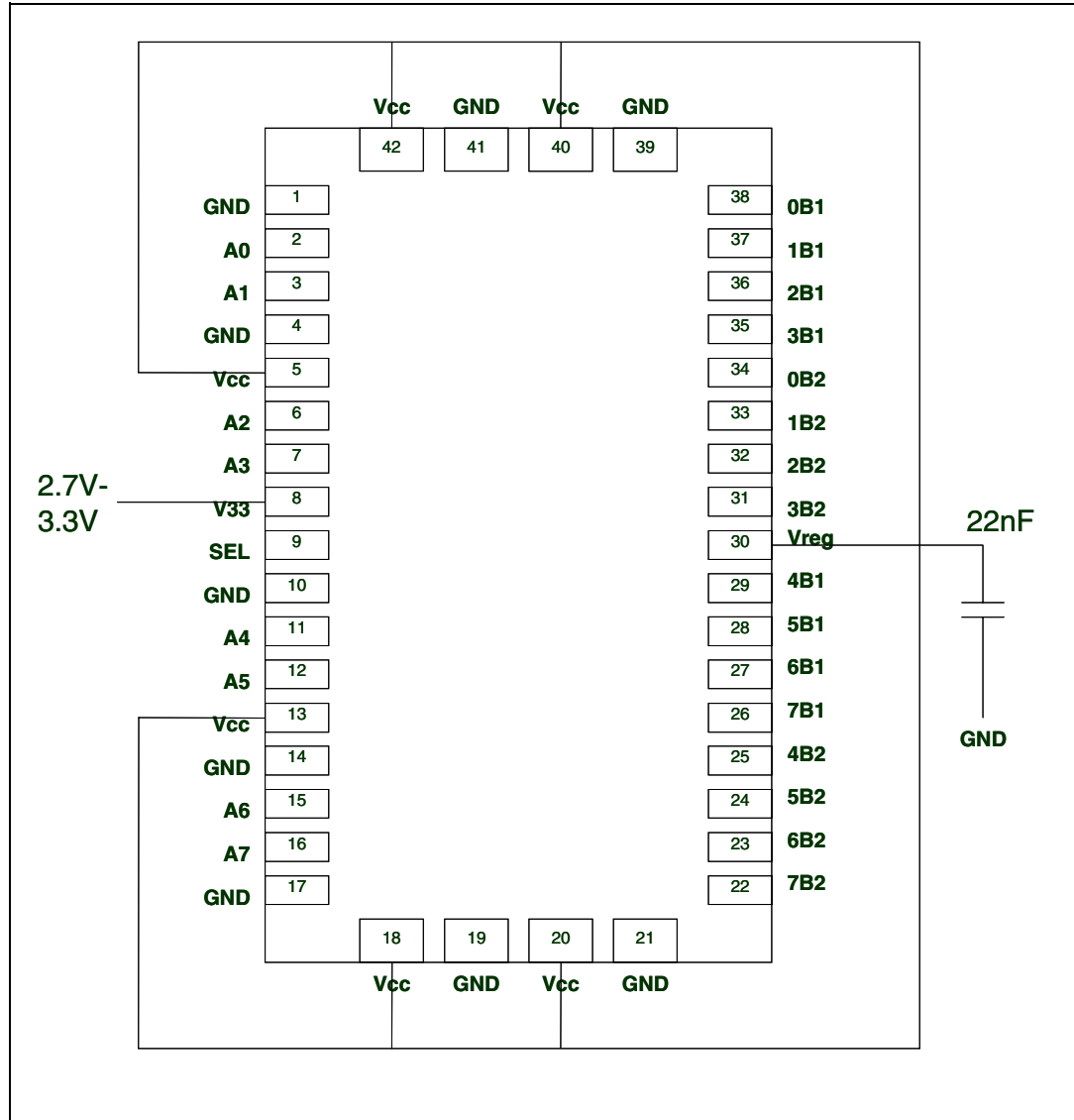
Table 3. Operation table

SEL	Function
L	A_N to $_NB_1$
H	A_N to $_NB_2$

3 Internal voltage regulator

STMUX3040 is integrated with an internal voltage regulator. The voltage regulator is activated when supply voltage to the Vreg pin is more than 2.7V. If the supply to V_{reg} is less than 2.2V, the regulator is bypassed.

Figure 4. Internal voltage regulator



When internal regulator is activated:

- V33 is used as supply input
- V_{reg} is used as output of the internal regulator, a 22nF capacitor should be connected from this pin to ground

When internal regulator is not used:

- V_{CC}, V33 and V_{reg} are all connected to 1.8V supply

4 Maximum rating

Stressing the device above the rating listed in the “Absolute Maximum Ratings” table may cause permanent damage to the device. These are stress ratings only and operation of the device at these or any other conditions above those indicated in the Operating sections of this specification is not implied. Exposure to Absolute Maximum Rating conditions for extended periods may affect device reliability. Refer also to the STMicroelectronics SURE Program and other relevant quality documents.

4.1 Absolute maximum rating

Table 4. Absolute maximum rating

Symbol	Parameter	Value	Unit
V_{CC}	Supply voltage to Ground	-0.5 to +2.5	V
V_{33}	Supply voltage to internal regulator	-0.5 to +4.5	V
V_I	DC input voltage	-0.5 to V_{CC} (1)	V
V_{IC}	DC control input voltage	-0.5 to V_{CC} (1)	V
I_O	DC output current	120	mA
T_{STG}	Storage temperature	-65 to +150	°C
T_L	Lead temperature (10 sec)	300	°C

1. $V_{CC} = 1.8V \pm 10\%$ in regulator mode

4.2 Thermal data

Table 5. Thermal data

Symbol	Parameter	Value	Unit
R_{thJA}	Thermal resistance junction-ambient	40.8	°C/W

5 Electrical specification

5.1 DC electrical characteristics

$T_A = -40$ to $+85^\circ\text{C}$, $V_{CC} = 1.8\text{V} \pm 10\%$

Table 6. SEL Pin

Symbol	Parameter	Test conditions	Min	Typ	Max	Unit
V_{IH}	HIGH level input voltage	High level guaranteed	0.65V _{CC}			V
V_{IL}	LOW level input voltage	Low level guaranteed	-0.5		0.35V _{CC}	V
V_{IK}	Clamp diode voltage	$V_{CC} = 1.8\text{V}$, $I_{IN} = -18\text{mA}$		-0.8	-1.2	V
I_{IH}	Input high current	$V_{CC} = 1.8\text{V}$, $V_{IN} = V_{CC}$			± 5	μA
I_{IL}	Input low current	$V_{CC} = 1.8\text{V}$, $V_{IN} = \text{GND}$			± 5	μA

Table 7. All signal switch pins

Symbol	Parameter	Test Conditions	Min	Typ	Max	Unit
I_{IN}	Input leakage	$V_{CC} = 1.8\text{V}$, $V_{IN} = V_{CC}$ All non-tested switches floating			1	μA
V_{IK}	Clamp diode voltage	$V_{CC} = 1.8\text{V}$, $I_{IN} = -18\text{mA}$		-0.8	-1.2	V
R_{ON}	Switch ON resistance (1)	$V_{CC} = 1.8\text{V}$, $V_{IN} = 0.9$ to V_{CC} , $I_{IN} = -30\text{mA}$		5.5	8.0	Ω
R_{FLAT}	ON resistance flatness (1) (2)	$V_{CC} = 1.8\text{V}$, $V_{IN} = 0.9$ to V_{CC} , $I_{IN} = -30\text{mA}$		1	1.3	Ω
ΔR_{ON}	ON resistance match between channels $\Delta R_{ON} = R_{ONMAX} - R_{ONMIN}$ (2) (3)	$V_{CC} = 1.8\text{V}$, $V_{IN} = 0.9$ to V_{CC} , $I_{IN} = -30\text{mA}$		0.5	1	Ω

1. Measured by voltage drop between channels at the indicated current through the switch.
2. Flatness is defined as the difference between the R_{ONMAX} and the R_{ONMIN} of the on resistance over the specified range on the same channel
3. ΔR_{ON} measured at the same V_{CC} , temperature and voltage level.

5.2 Capacitance

Table 8. Capacitance ($T_A = 25^\circ\text{C}$, $f = 1\text{MHz}$)

Symbol	Parameter	Test conditions	Min	Typ	Max	Unit
C_{OFF}	Port x0 to Port x1, Switch off	$V_{\text{IN}} = 0\text{V}$		4		pF
C_{ON}	Capacitance switch on	$V_{\text{IN}} = 0\text{V}$		6		pF

5.3 Power supply characteristics

Table 9. Power supply characteristics ($T_A = -40$ to $+85^\circ\text{C}$)

Symbol	Parameter	Test conditions	Min	Typ	Max	Unit
V_{CC}	Supply voltage (internal regulator inactive)		1.65	1.8	2.0	V
V33	Supply voltage (internal regulator active)		2.7	3.3	3.6	V
I_{CC}	Quiescent power supply current (Internal regulator inactive)	$V_{\text{CC}} = 2.0\text{V}$, $V_{\text{IN}} = V_{\text{CC}}$ or GND		150	500	μA
I_{CC}	Quiescent power supply current (Internal regulator active)	V33 = 3.3V, $V_{\text{IN}} = 1.8\text{V}$ or GND		250	700	μA

5.4 Dynamic electrical characteristics

Table 10. Dynamic electrical characteristics ($T_A = -40$ to $+85^\circ\text{C}$, $V_{\text{CC}} = 1.8\text{V} \pm 10\%$)

Symbol	Parameter	Test conditions	Min.	Typ.	Max.	Unit
X_{TALK}	Non-adjacent channel Cross-talk	$R_L = 100\Omega$, $f = 300\text{MHz}$			-30	dB
		$R_L = 100\Omega$, $f = 600\text{MHz}$			-20	dB
		$R_L = 100\Omega$, $f = 1200\text{MHz}$			-20	dB
O_{IRR}	Off Isolation	$R_L = 100\Omega$, $f = 300\text{MHz}$			-35	dB
		$R_L = 100\Omega$, $f = 600\text{MHz}$			-28	dB
		$R_L = 100\Omega$, $f = 1200\text{MHz}$			-20	dB
D_R	Data rate per channel			3.0		Gbps
BW	Bandwidth	-3dB bandwidth	1200	1300		MHz

5.5 Dynamic switching characteristics

Table 11. Dynamic switching characteristics ($T_A = -40$ to $+85$ °C, $V_{CC} = 1.8V \pm 10\%$)

Symbol	Parameter	Test conditions	Min	Typ	Max	Unit
t_{PD}	Propagation delay	$V_{CC} = 1.65V - 2.0V$		0.25		ns
t_{PZH} , t_{PZL}	Line enable time, SEL to x to x0 or x to x1	$V_{CC} = 1.65V - 2.0V$	0.5	6.5	9	ns
t_{PHZ} , t_{PLZ}	Line Disable Time, SEL to x to x0 or x to x1	$V_{CC} = 1.65V - 2.0V$	0.5	6.5	8.5	ns
$t_{SK(O)}$	Output skew between center port to any other port	$V_{CC} = 1.65V - 2.0V$		50	100	ps
$t_{SK(P)}$	Skew between opposite transition of the same output ($t_{PHL} - t_{PLH}$)	$V_{CC} = 1.65V - 2.0V$		50	100	ps
t_{ON}	Switching delay	$V_{CC} = 1.65V - 2.0V$			50	ns
t_{OFF}	Switching delay	$V_{CC} = 1.65V - 2.0V$			30	ns

5.6 ESD performance

Table 12. ESD performance

Symbol	Parameter	Test Conditions	Min.	Typ.	Max.	Unit
ESD	IEC-61000-4-2	Air discharge (10 pulses)		± 2		kV
		Contact discharge (10 pulses)		± 2		kV

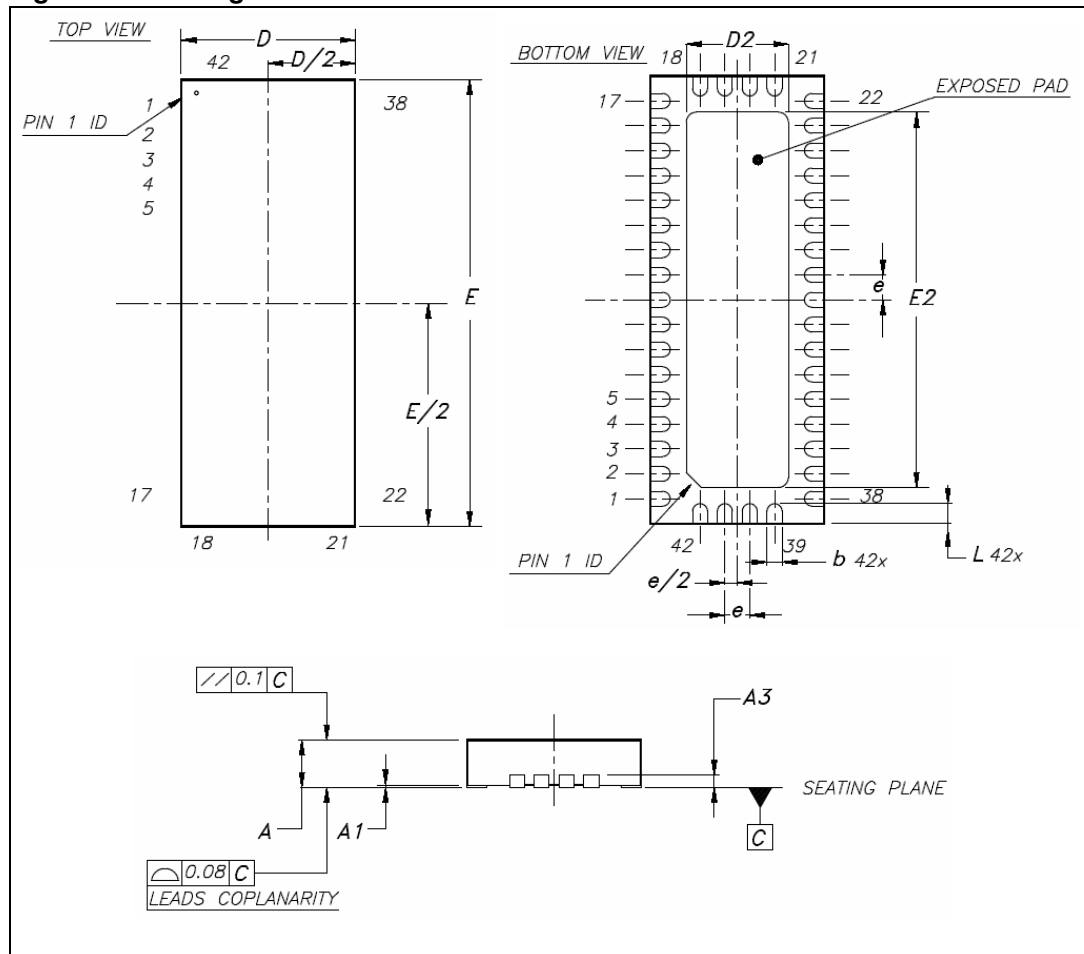
6 Package mechanical data

In order to meet environmental requirements, ST offers these devices in ECOPACK® packages. These packages have a Lead-free second level interconnect . The category of second level interconnect is marked on the package and on the inner box label, in compliance with JEDEC Standard JESD97. The maximum ratings related to soldering conditions are also marked on the inner box label. ECOPACK is an ST trademark. ECOPACK specifications are available at: www.st.com

Table 13. TQFN42 mechanical data

Dim.	mm.		
	Min	Typ	Max
A	0.70	.075	0.80
A1	0	0.02	0.05
A3		0.20	
b	0.20	0.25	0.30
D	3.40	3.50	3.60
D2	2	2.05	2.10
E	8.90	9	9.10
E2	7.50	7.55	7.60
e		0.50	
L	0.30	0.40	0.50

Figure 5. Package dimensions



7 Revision history

Table 14. Revision history

Date	Revision	Changes
05-Jul-2007	1	Initial release

Please Read Carefully:

Information in this document is provided solely in connection with ST products. STMicroelectronics NV and its subsidiaries ("ST") reserve the right to make changes, corrections, modifications or improvements, to this document, and the products and services described herein at any time, without notice.

All ST products are sold pursuant to ST's terms and conditions of sale.

Purchasers are solely responsible for the choice, selection and use of the ST products and services described herein, and ST assumes no liability whatsoever relating to the choice, selection or use of the ST products and services described herein.

No license, express or implied, by estoppel or otherwise, to any intellectual property rights is granted under this document. If any part of this document refers to any third party products or services it shall not be deemed a license grant by ST for the use of such third party products or services, or any intellectual property contained therein or considered as a warranty covering the use in any manner whatsoever of such third party products or services or any intellectual property contained therein.

UNLESS OTHERWISE SET FORTH IN ST'S TERMS AND CONDITIONS OF SALE ST DISCLAIMS ANY EXPRESS OR IMPLIED WARRANTY WITH RESPECT TO THE USE AND/OR SALE OF ST PRODUCTS INCLUDING WITHOUT LIMITATION IMPLIED WARRANTIES OF MERCHANTABILITY, FITNESS FOR A PARTICULAR PURPOSE (AND THEIR EQUIVALENTS UNDER THE LAWS OF ANY JURISDICTION), OR INFRINGEMENT OF ANY PATENT, COPYRIGHT OR OTHER INTELLECTUAL PROPERTY RIGHT.

UNLESS EXPRESSLY APPROVED IN WRITING BY AN AUTHORIZED ST REPRESENTATIVE, ST PRODUCTS ARE NOT RECOMMENDED, AUTHORIZED OR WARRANTED FOR USE IN MILITARY, AIR CRAFT, SPACE, LIFE SAVING, OR LIFE SUSTAINING APPLICATIONS, NOR IN PRODUCTS OR SYSTEMS WHERE FAILURE OR MALFUNCTION MAY RESULT IN PERSONAL INJURY, DEATH, OR SEVERE PROPERTY OR ENVIRONMENTAL DAMAGE. ST PRODUCTS WHICH ARE NOT SPECIFIED AS "AUTOMOTIVE GRADE" MAY ONLY BE USED IN AUTOMOTIVE APPLICATIONS AT USER'S OWN RISK.

Resale of ST products with provisions different from the statements and/or technical features set forth in this document shall immediately void any warranty granted by ST for the ST product or service described herein and shall not create or extend in any manner whatsoever, any liability of ST.

ST and the ST logo are trademarks or registered trademarks of ST in various countries.

Information in this document supersedes and replaces all information previously supplied.

The ST logo is a registered trademark of STMicroelectronics. All other names are the property of their respective owners.

© 2007 STMicroelectronics - All rights reserved

STMicroelectronics group of companies

Australia - Belgium - Brazil - Canada - China - Czech Republic - Finland - France - Germany - Hong Kong - India - Israel - Italy - Japan - Malaysia - Malta - Morocco - Singapore - Spain - Sweden - Switzerland - United Kingdom - United States of America

www.st.com

