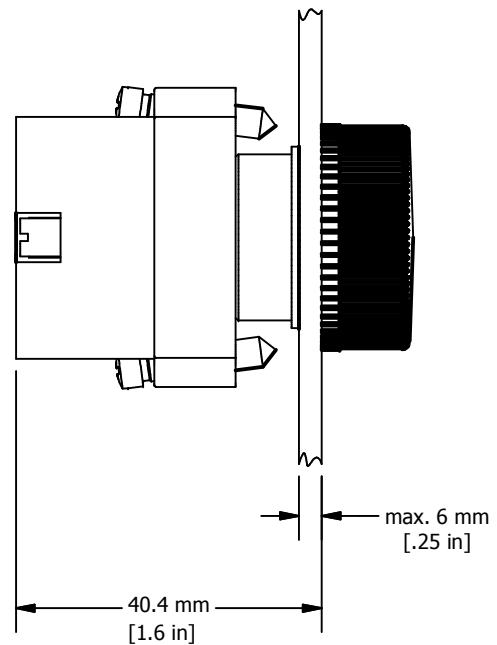
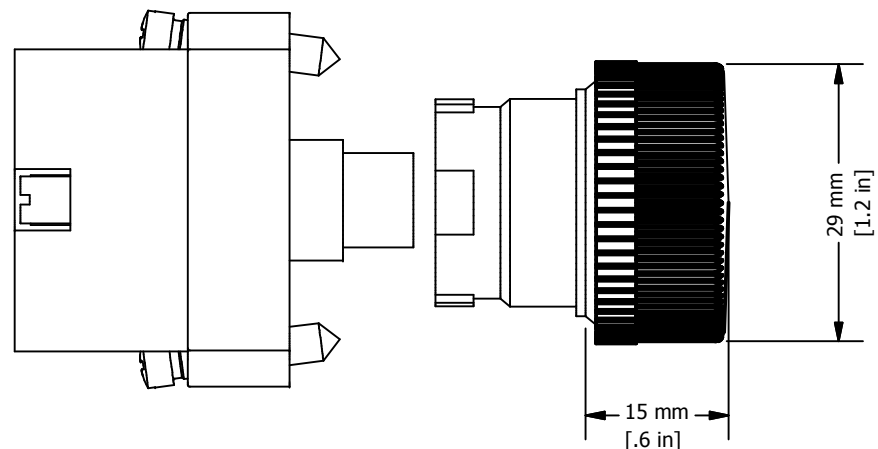
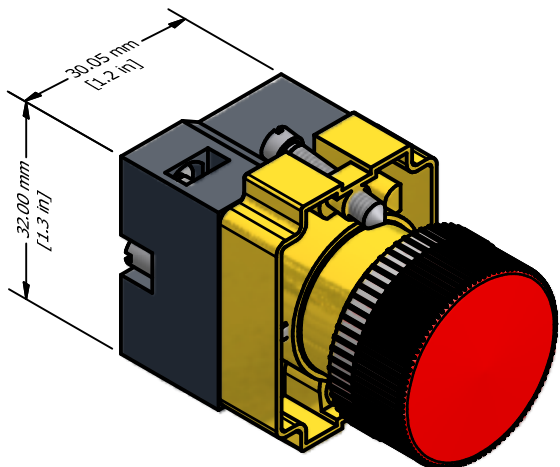


REVISION FOR DWG # 1PB-2PLBxLB-yyy

REV	CH.NO.	DESCRIPTION	DATE	REVISED BY
-	-	ORIGINAL DESIGN	11/2/2007	PHILIPP E.



**yyy = Voltage**

<b>012</b>	=	12V AC/DC
<b>024</b>	=	24V AC/DC
<b>048</b>	=	48V AC/DC
<b>110</b>	=	110V AC/DC
<b>230</b>	=	230V AC
<b>230D</b>	=	230V DC

\* = Pilot Light is supplied with mounting bracket, bulb holder and LED (ITEM 1,2,3,4 and 5)

ITEM	DESCRIPTION	CAT. NO.	COLOR	MIN. QTY.	MAX. QTY.
1*	22 mm LED Pilot Light	2PLB1LB-yyy	White	1	1
		2PLB3LB-yyy	Green	1	1
		2PLB4LB-yyy	Red	1	1
		2PLB5LB-yyy	Amber	1	1
		2PLB6LB-yyy	Blue	1	1
		2PLB7LB-yyy	Clear	1	1
		2PLB8LB-yyy	Yellow	1	1
2*	Mounting Bracket	2BRK	-	1	1
3*	LED Bulb	MCB9xyyy	-	1	1
4*	Mounting Bracket Screws	incl. in 2BRK	-	2	2
5*	Blub Holder	2LHB	-	1	1
6	Panel	-	-	-	-

UNLESS OTHERWISE SPECIFIED:  
 • ALL DIMENSIONS ARE IN MILLIMETERS  
 • THIRD ANGLE PROJECTION

This Drawing is the property of  
**Altech Corp.**

AND IS A CONFIDENTIAL DISCLOSURE LENT WITHOUT CONSIDERATION OTHER THAN THE BORROWER'S AGREEMENT THAT IT SHALL NOT BE REPRODUCED, COPIED, LENT OR DISPOSED OF DIRECTLY OR INDIRECTLY NOR USED FOR ANY PURPOSE OTHER THAN THAT FOR WHICH IT IS SPECIFICALLY FURNISHED.

35 Royal Road  
 Flemington, NJ 08822-6000  
 (908) 806-9400  
 Fax (908) 806-9490

**TOLERANCE**

XX	=	±1 mm
XX.X	=	±0.5 mm
XX.XX	=	±0.2 mm
ALL	=	- mm

**METRIC**

TITEL 22 mm LED Metal Pilot Light 2PLBx-LB-yyy (x=color. yyy=voltage)

DRAWN BY: Philipp Ernstberger	11/2/2007	DRAWING NO.:	1PB-2PLBxLB-yyy	REV.:	-
CHECKED BY: Laszlo Gyorgypal	11/2/2007	SCALE:	-	SHEET:	1
RELEASED BY: Laszlo Gyorgypal	11/2/2007			OF:	1